



Collection: Suit

Technical specifications

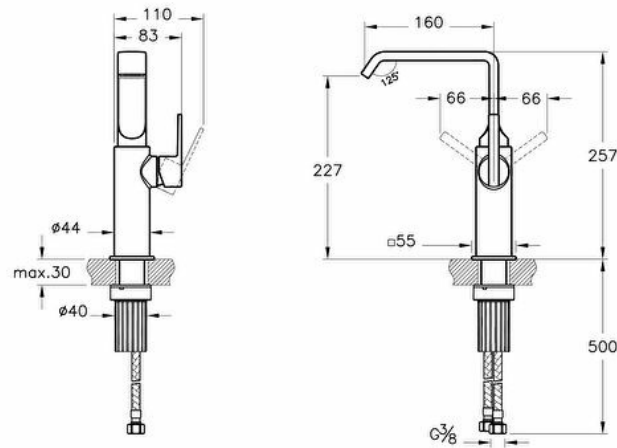
Colour	Gloss Black
Height	257
Width	83
Depth	185
Finish	PVD
Material	PVD
Mixing Capability with Air	Yes
Mounting type	Countertop

# of Water Inlet	Double Inlet
Hole Quantity	5
Number of Functions	6
Operating Pressure	Min:0.5-Max:10Recommended(1-5)
Outlet Turning Angle	Fixed
Designer	Vitra Design Team

Spiral Hose Material	Stainless Steel PEX
Spiral Length	600
Spout Length	160
Water Label Class	Dark Green (0 < Flow Rate ≤ 6)
Aerator	Rectangular
Badge Diameter	55X55
Body Material	Brass
Cartridge	Basic

Packaged Product Sizes (WxDxH)	430X225X90
Guarantee	5
Spout Height	227
Certificate	ACS

2A technical drawing



Technical specifications

Colour: Gloss Black **Height:** 257 **Width:** 83 **Depth:** 185 **Finish:** PVD **Material:** PVD **Mixing Capability with Air:** Yes **Mounting type:** Countertop **Spiral Hose Material:** Stainless Steel PEX **Spiral Length:** 600 **Spout Length:** 160 **Water Label Class:** Dark Green (0 < Flow Rate ≤ 6) **Aerator:** Rectangular **Badge Diameter:** 55X55 **Body Material:** Brass **Cartridge:** Basic **# of Water Inlet:** Double Inlet **Hole Quantity:** 5 **Number of Functions:** 6 **Operating Pressure:** Min:0.5-Max:10Recommended(1-5) **Outlet Turning Angle:** Fixed **Designer:** VitrA Design Team **Packaged Product Sizes (WxDxH):** 430X225X90 **Guarantee:** 5 **Spout Height:** 227 **Certificate:** ACS