



Collection: Origin Classic

### Technical specifications

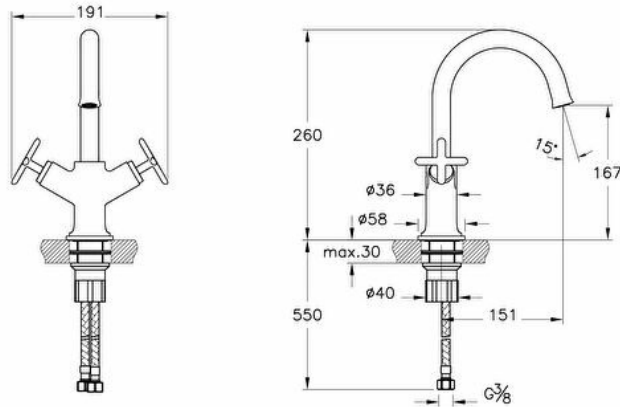
|                                   |             |
|-----------------------------------|-------------|
| <b>Colour</b>                     | Matte Black |
| <b>Height</b>                     | 260         |
| <b>Width</b>                      | 193         |
| <b>Depth</b>                      | 196         |
| <b>Easy Assembly Feature</b>      | Yes         |
| <b>Finish</b>                     | Matte Black |
| <b>Material</b>                   | Matte Black |
| <b>Mixing Capability with Air</b> | Yes         |

|                             |                                |
|-----------------------------|--------------------------------|
| <b>Hole Quantity</b>        | 5                              |
| <b>Number of Functions</b>  | 6                              |
| <b>Operating Pressure</b>   | Min:0.5-Max:10Recommended(1-5) |
| <b>Badge Diameter</b>       | D58                            |
| <b>Outlet Turning Angle</b> | Fixed                          |
| <b>Designer</b>             | VitrA Design Team              |

|                             |                                |
|-----------------------------|--------------------------------|
| <b>Mounting type</b>        | Countertop                     |
| <b>Spiral Hose Material</b> | Stainless Steel PEX            |
| <b>Spiral Length</b>        | 600                            |
| <b>Spout Length</b>         | 151                            |
| <b>Water Label Class</b>    | Dark Green (0 < Flow Rate ≤ 6) |
| <b>Aerator</b>              | Hidden                         |
| <b>Body Material</b>        | Brass                          |
| <b># of Water Inlet</b>     | Double Inlet                   |

|                         |             |
|-------------------------|-------------|
| <b>Guarantee</b>        | 5           |
| <b>Packaged Product</b> | 300X770X300 |
| <b>Sizes (WxDxH)</b>    |             |
| <b>Spout Height</b>     | 167         |

### 2A technical drawing



#### Technical specifications

**Colour:** Matte Black **Height:** 260 **Width:** 193 **Depth:** 196 **Easy Assembly Feature:** Yes **Finish:** Matte Black **Material:** Matte Black  
**Mixing Capability with Air:** Yes **Mounting type:** Countertop **Spiral Hose Material:** Stainless Steel PEX **Spiral Length:** 600 **Spout Length:** 151 **Water Label Class:** Dark Green ( $0 < \text{Flow Rate} \leq 6$ ) **Aerator:** Hidden **Body Material:** Brass **# of Water Inlet:** Double Inlet  
**Hole Quantity:** 5 **Number of Functions:** 6 **Operating Pressure:** Min:0.5-Max:10Recommended(1-5) **Badge Diameter:** D58 **Outlet Turning Angle:** Fixed **Designer:** VitrA Design Team **Guarantee:** 5 **Packaged Product Sizes (WxDxH):** 300X770X300 **Spout Height:** 167