



Collection: Flow Round

Technical specifications

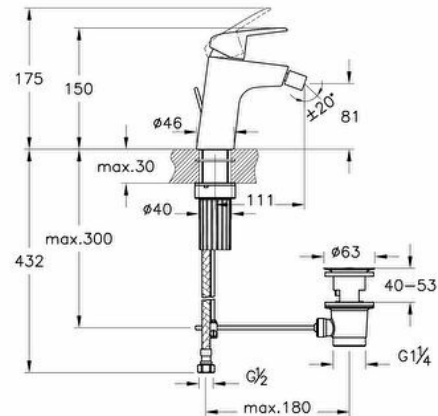
Colour	Chrome
Height	150
Width	46
Depth	137
Easy Assembly Feature	Yes
Finish	Chrome
Material	Chrome

Cartridge	Adjustable heat-flow rate
# of Water Inlet	Double Inlet
Hole Quantity	5
Number of Functions	6
Operating Pressure	Min:0.5-Max:10Recommended(1-5)
Outlet Turning Angle	Fixed
Syphon Controller	Yes

Mixing Capability with Air	Yes
Mounting type	Countertop
Packaged Product Sizes (WxDxH)	395X210X75
Spiral Hose Material	Stainless Steel PEX
Spiral Length	500
Spout Length	111
Aerator	Hidden
Body Material	Brass

Designer	VitrA Design Team
Guarantee	10
Spout Height	81

2A technical drawing



Technical specifications

Colour: Chrome **Height:** 150 **Width:** 46 **Depth:** 137 **Easy Assembly Feature:** Yes **Finish:** Chrome **Material:** Chrome **Mixing Capability with Air:** Yes **Mounting type:** Countertop **Packaged Product Sizes (WxDxH):** 395X210X75 **Spiral Hose Material:** Stainless Steel PEX **Spiral Length:** 500 **Spout Length:** 111 **Aerator:** Hidden **Body Material:** Brass **Cartridge:** Adjustable heat-flow rate **# of Water Inlet:** Double Inlet **Hole Quantity:** 5 **Number of Functions:** 6 **Operating Pressure:** Min:0.5-Max:10Recommended(1-5) **Outlet Turning Angle:** Fixed **Syphon Controller:** Yes **Designer:** VitrA Design Team **Guarantee:** 10 **Spout Height:** 81