



Collection: Flow Square

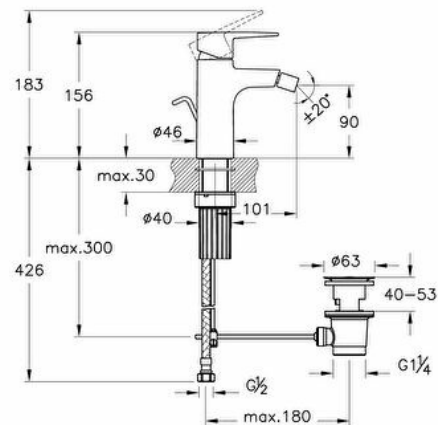
### Technical specifications

<b>Easy Assembly Feature</b>	Yes
<b>Finish</b>	Matte Black
<b>Mixing Capability with Air</b>	Yes
<b>Mounting type</b>	Countertop
<b>Packaged Product Sizes (WxDxH)</b>	395X210X75
<b>Spiral Hose Material</b>	Stainless Steel PEX
<b>Spiral Length</b>	500

<b>Spout Length</b>	101
<b>Aerator</b>	Hidden
<b>Cartridge</b>	Adjustable heat-flow rate
<b># of Water Inlet</b>	Double Inlet
<b>Hole Quantity</b>	5
<b>Number of Functions</b>	6

<b>Operating Pressure</b>	Min:0.5-Max:10Recommended(1-5)
<b>Outlet Turning Angle</b>	Fixed
<b>Syphon Controller</b>	Yes
<b>Guarantee</b>	5
<b>Spout Height</b>	90

## 2A technical drawing



### Technical specifications

**Easy Assembly Feature:** Yes **Finish:** Matte Black **Mixing Capability with Air:** Yes **Mounting type:** Countertop **Packaged Product**

**Sizes (WxDxH):** 395X210X75 **Spiral Hose Material:** Stainless Steel PEX **Spiral Length:** 500 **Spout Length:** 101 **Aerator:** Hidden

**Cartridge:** Adjustable heat-flow rate **# of Water Inlet:** Double Inlet **Hole Quantity:** 5 **Number of Functions:** 6 **Operating Pressure:**

Min:0.5-Max:10Recommended(1-5) **Outlet Turning Angle:** Fixed **Syphon Controller:** Yes **Guarantee:** 5 **Spout Height:** 90