



Collection: Flow Square

Technical specifications

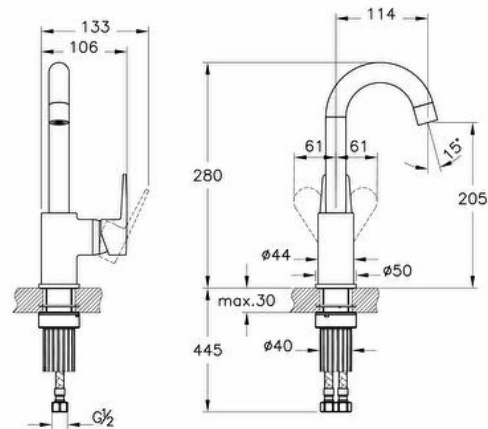
Colour	Matte Black
Height	280
Width	46
Depth	151
Easy Assembly Feature	Yes
Finish	Matte Black
Material	Matte Black

Body Material	Brass
Cartridge	Adjustable heat-flow rate
# of Water Inlet	Double Inlet
Hole Quantity	5
Number of Functions	6
Operating Pressure	Min:0.5-Max:10Recommended(1-5)
Outlet Turning Angle	360

Mixing Capability with Air	Yes
Mounting type	Countertop
No-Calc Feature	Yes
Packaged Product Sizes (WxDxH)	355X190X60
Spiral Hose Material	Stainless Steel PEX
Spiral Length	500
Spout Length	115
Aerator	Hidden,Silicon

Designer	VitrA Design Team
Guarantee	5
Badge Diameter	~50
Spout Height	205

2A technical drawing



Technical specifications

Colour: Matte Black **Height:** 280 **Width:** 46 **Depth:** 151 **Easy Assembly Feature:** Yes **Finish:** Matte Black **Material:** Matte Black
Mixing Capability with Air: Yes **Mounting type:** Countertop **No-Calc Feature:** Yes **Packaged Product Sizes (WxDxH):**
 355X190X60 **Spiral Hose Material:** Stainless Steel PEX **Spiral Length:** 500 **Spout Length:** 115 **Aerator:** Hidden, Silicon **Body**
Material: Brass **Cartridge:** Adjustable heat-flow rate **# of Water Inlet:** Double Inlet **Hole Quantity:** 5 **Number of Functions:** 6
Operating Pressure: Min:0.5-Max:10Recommended(1-5) **Outlet Turning Angle:** 360 **Designer:** VitrA Design Team **Guarantee:** 5
Badge Diameter: ~ 50 **Spout Height:** 205