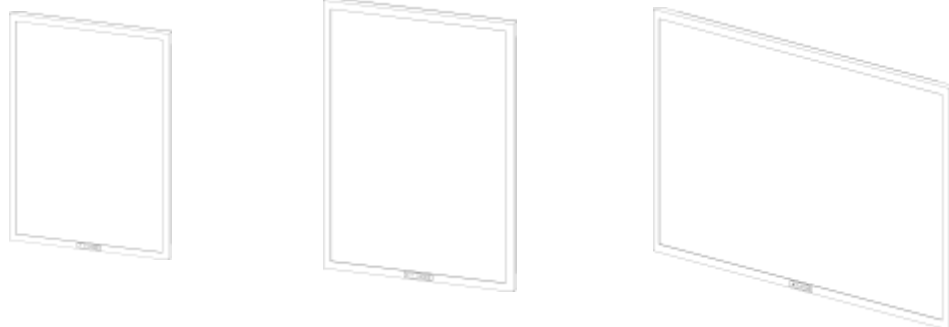


ACADMHEY



Box Contents:

Academy Mirror: Instructions booklet | 2x wall plugs | 2x screws

Materials

Frame Material: Extruded Aluminium

Glass: 5mm PVC Backed

FAQ's:	Units	ACM050	ACM060	ACM100
Can the mirror be hung landscape?	-	Landscape	Landscape	Landscape
What is the thickness of the mirror glass?	mm	5		
Is the mirror IP44 rated?	-	Yes – Suitable for use in bathroom zone 2		
What size fuse should I use?	-	Seek the advice of an electrician		
What is the total power consumption?	W	75	91	110
Does the mirror have an energy rating?	-	Yes – It has an energy rating of: A		
What is the colour of the light and the Kelvin rating?	K	3000 - 6000		
What is the wattage of the lights?	W	35	43	50
Where is the Slider sensor/rocker switch located?	-	Front middle		
Can the LED lighting be replaced?	-	No		
What is the output of the demister pad?	W	40	48	60
What are the dimensions of the demister pad? (L x W)	mm	400 x 300		600 x 300
How do I turn on the demister pad?	-	The demister pad will turn on when the mirror is turned on		
Are illuminated mirrors supplied with mains cable?	-	All illuminated mirrors are supplied with a removeable 500mm mains cable.		

10 Year Guarantee

We have complete confidence in this Roper Rhodes bathroom Mirror and as such it is offered with a 10-year guarantee against defects in manufacture. The electronics are covered by our 2-year guarantee. In the unlikely event that this product should fail during the guarantee period we will either replace the faulty part or the complete unit as appropriate.

*Dimensions are subject to change customers are advised to measure actual product before commencing installation.

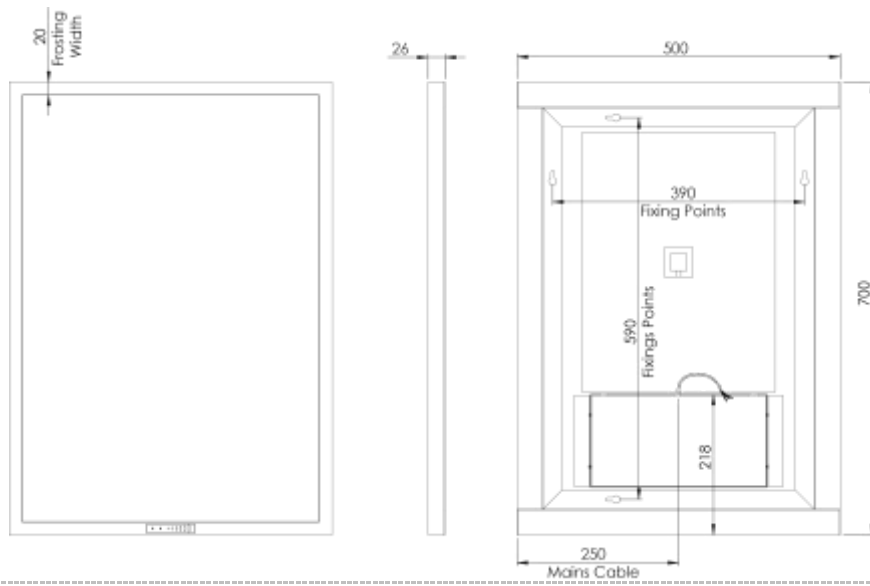
**Fixing point dimensions are for guidance only/the positions of wall fixing must be checked when product is received.

Roper Rhodes, Brassmill Lane Trading Estate, Bath BA1 3JF

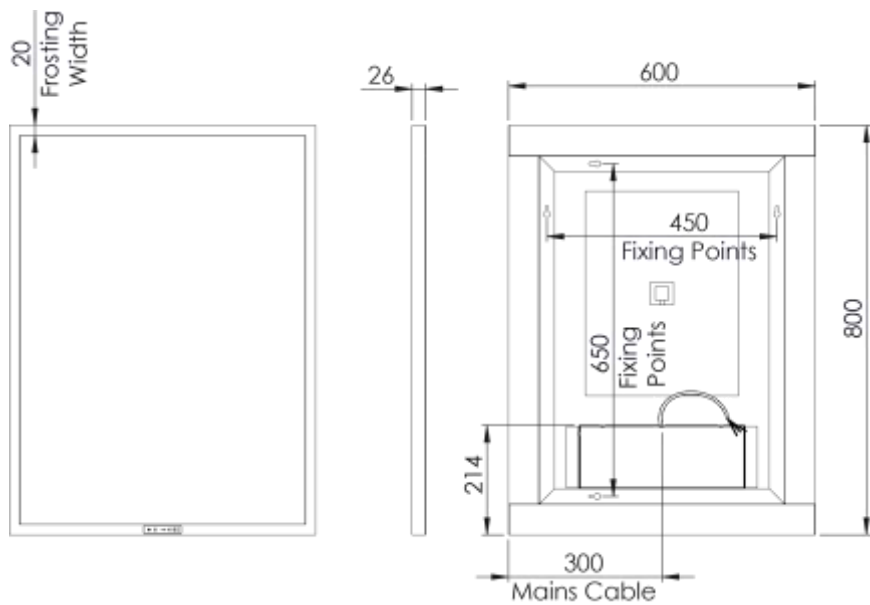
TEL: 01225 303 900 | techsupport@roperrhodes.co.uk

www.RoperRhodes.com

ACM050



ACM060



ACM100

