

Code:MGFMS0008/MGFMS0010/
MGFMS0012/MGFMS0014/
MGFMS0048/MGFMR0022/
MGFMS0062/MGFMS0064/
MGFMS0072/MGFMS0074/
MGFMS0098

LED MIRROR INSTRUCTION

This product contains a light source of energy efficiency class <F>

IMPORTANT: Please read these instructions before commencing installation and retain for future reference.

Bathroom Lighting Zones:

0

Inside the bath or shower.
Must be SELV (12V Max) due to
water submersion.
Minimum rating of IP67.

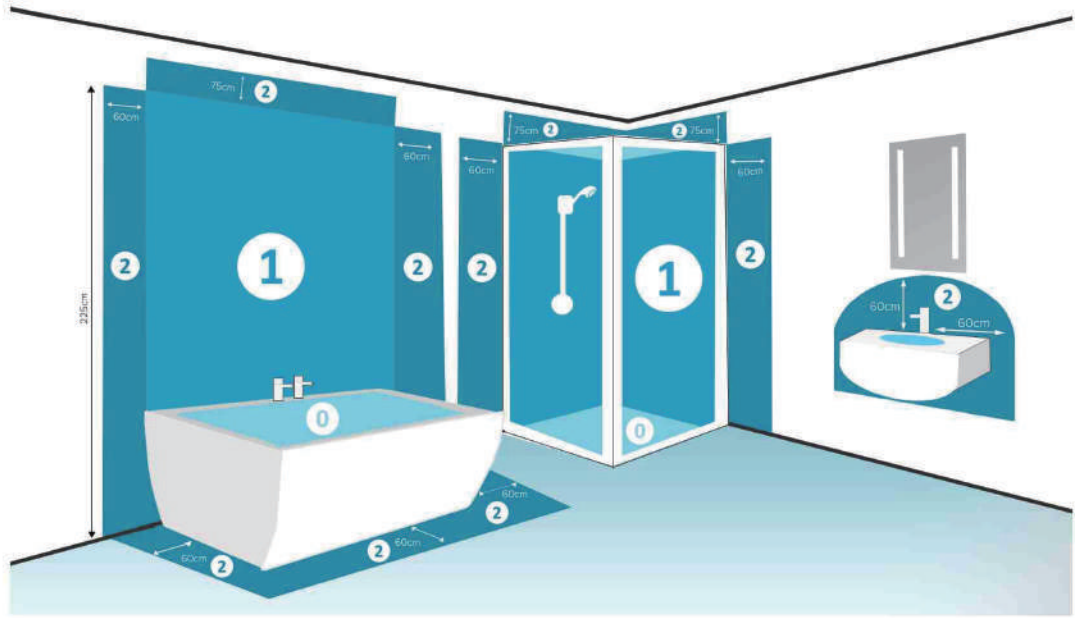
1

225cm above the bath or shower.
Minimum rating of IP44.

2

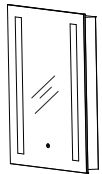
The area stretching to 60cm
outside the bath or shower, and 60cm
from the water outlet of the sink. An IP
rating of at least IP44 is required.

This mirror is IP44 rated and
suitable for installation in zone
2 and the outside zones.



Outside Zones - Anywhere outside zones 0, 1 and 2, where water jets are not used for cleaning purposes, the general rules of BS7671 apply.

Components



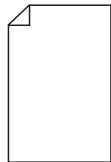
LED Mirror



2x Wall
Plugs



2x
Screws



1x Instruction
Manual

Important Safety Information

Please read these instructions carefully before attempting to install this product. It is advisable to keep these instructions in a safe place for future reference.

We recommend that you consult a qualified electrician. All electrical installation must be carried out in accordance with the current IEE wiring regulations (BS7671) and the latest relevant building regulations.

This product must not be modified, if any modifications are made, it may invalidate the warranty and may render the product unsafe.

The wattage for MGFMS0008 is 26W / MGFMS0010 is 44W / MGFMS0012 is 30W / MGFMS0014 is 42W / MGFMS0048 is 46W / MGFMR0022 is 35W / MGFMS0062 is 24W / MGFMS0064 is 42W / MGFMS0072 is 35W / MGFMS0074 is 35W / MGFMS0098 is 45W.

This product is for indoor use only.

Tools Required

Magnetic Crosshead Screwdriver		Power Drill (with hammer action)	
Rubber Mallet		6MM Drill Bit (suitable for wall type)	
Spirit Level		Pencil	
Tape Measure			

Safety Instructions

- If in doubt, installation must be carried out by a qualified electrician.
- Before commencing installation or maintenance, isolate the main electrical supply for the appropriate circuit at the fuse board.
- This product is only suitable for connecting to a 220-240V 50Hz supply.
- The mirror should be mounted onto a secure surface.
- When installing, please take care to avoid water pipes, joints and electrical cables.
- This product has a rating of IP44.
- Do not exceed or stretch cables.
- Do not strike mirror glass with hard or pointed items.
- The wall plugs included with this product are suitable for solid walls only. Plasterboard or stud walls may require specialized fixings which are not provided. (Always ensure that the wall plugs or fittings are correct for the wall type.)

Waste Electrical & Electronic Equipment (WEEE)

The symbol on the product, or on the document accompanying the product, the crossed out wheellie bin symbol, indicates that this product may not be treated as household waste.

Instead it shall be handed over to the applicable collection point for the recycling of electrical and electronic waste.

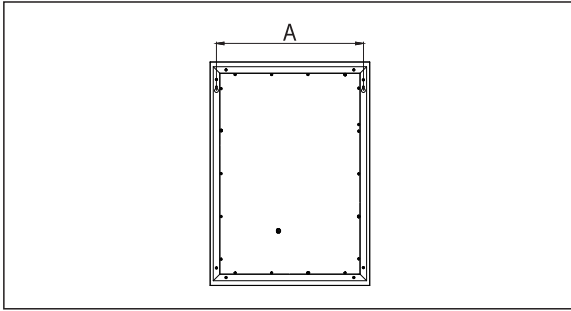


RoHS
Compliant

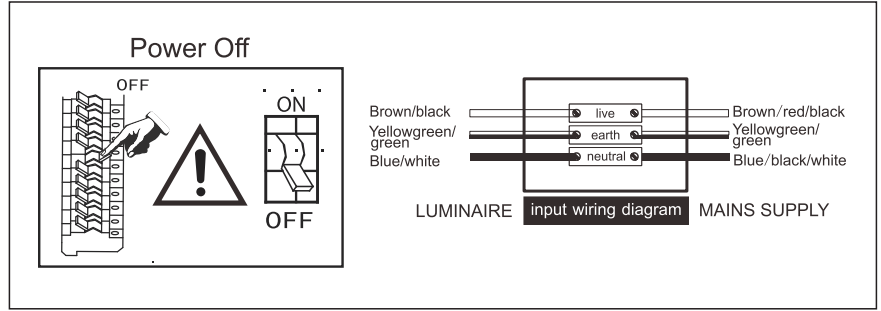
UK
CA



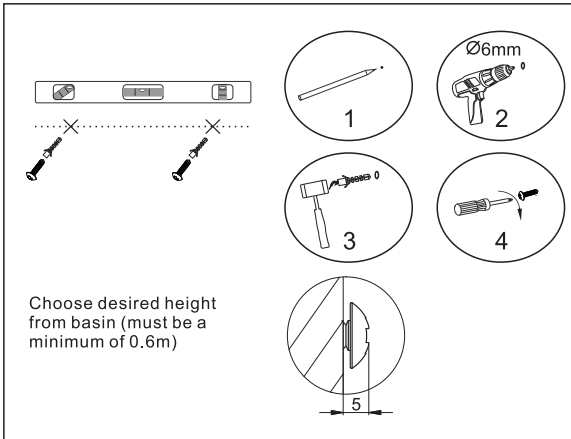
Installation



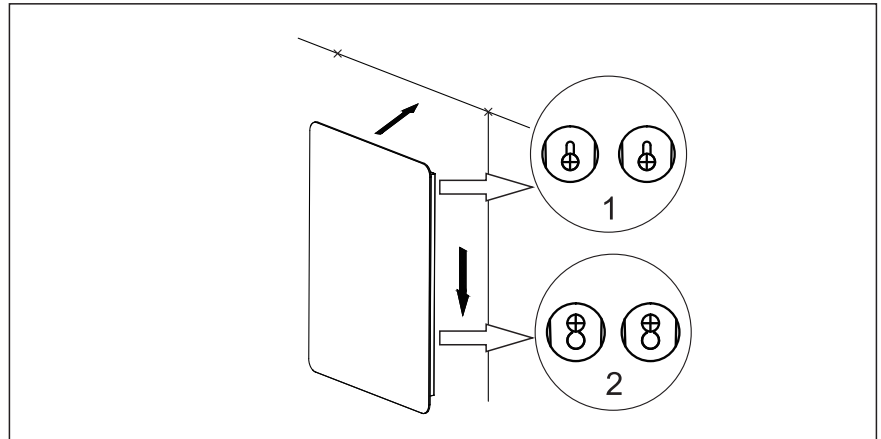
1. Measure distance A between center of hanging holes.



3. Make the electrical connections ensuring first that the electrical supply has been turned off. This mirror is a class 1 product and requires an earth connection. It should be installed in accordance with the latest IEE regulations.

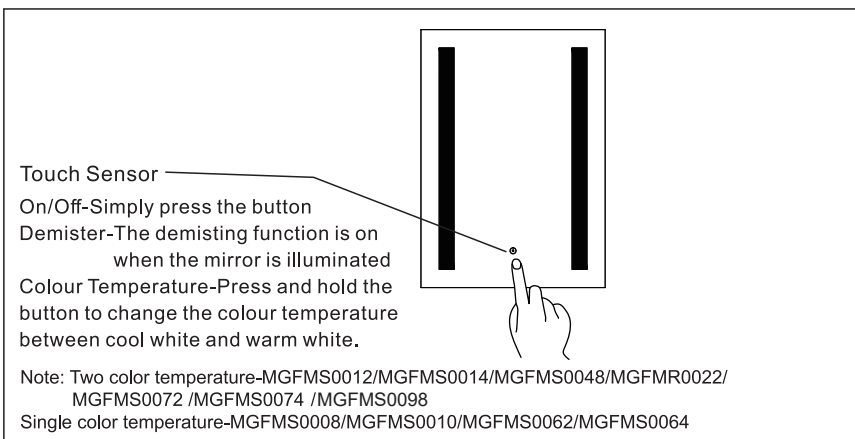


2. Choose desired height from basin (must be a minimum of 0.6m). Use a pencil to mark the positions for the 2 screws (keep distance A between them). Use a power drill and 6mm drill bit to drill holes. Use hammer to insert the wall plugs. Use screwdriver to tighten the screws.
Note: The distance between wall and the top of screw head should be 5mm.



4. Hang the mirror onto the wall. Shake left and right to see if it is stable.

Operation



Maintenance & Care

- Ensure that the power is disconnected prior to cleaning.
- To keep the finish of this product, wipe over with soft cloth periodically.
- Do not use harsh chemical solvents, this may dis-colour or damage the finish.
- Do not over-tighten screws on the terminal block.
- Do not allow moisture to come into contact with electrical components.

Compliance

This product complies with the following safety standards:
BS EN 60598-1:2015 +A1: 2018, EN60598-2-1: 1989

