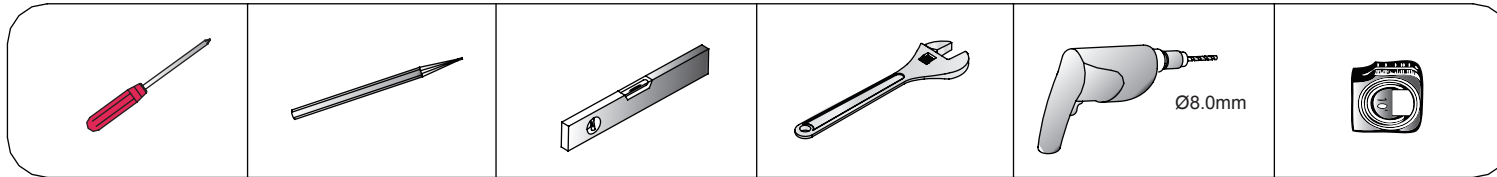
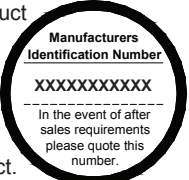


Cleargreen Freestanding Bath

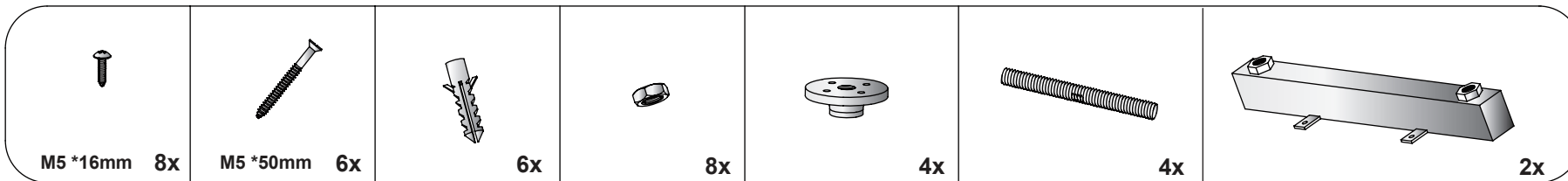
Tools required:



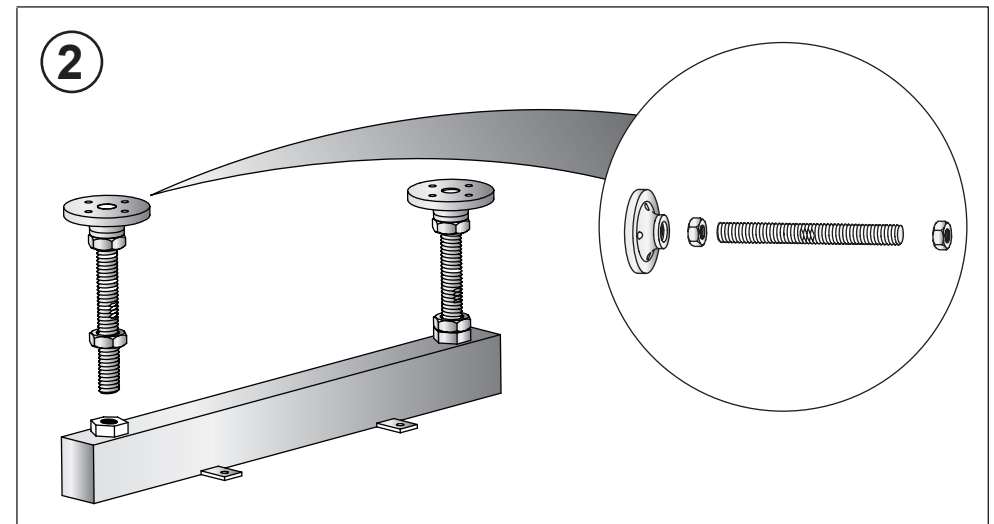
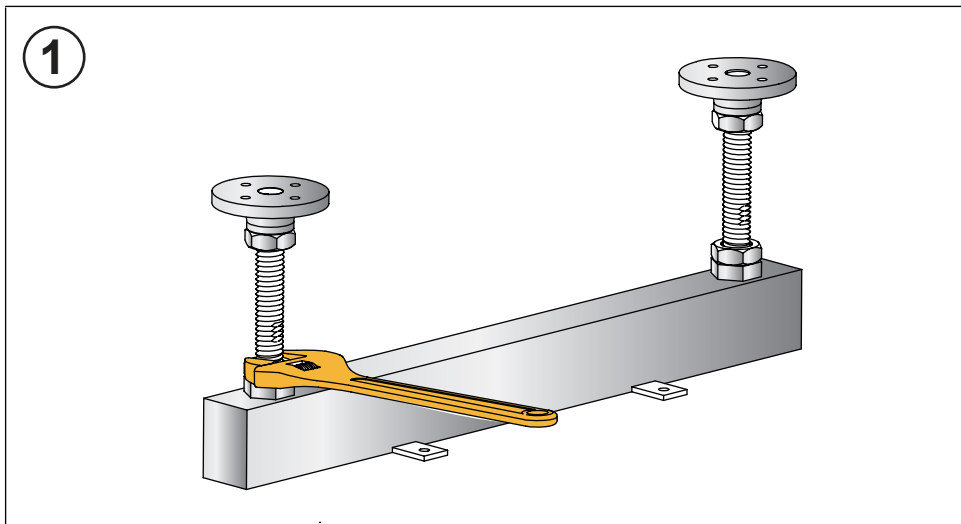
Please place your product identification number here and keep this paperwork in a safe place as you will need this if a problem occurs with your product.



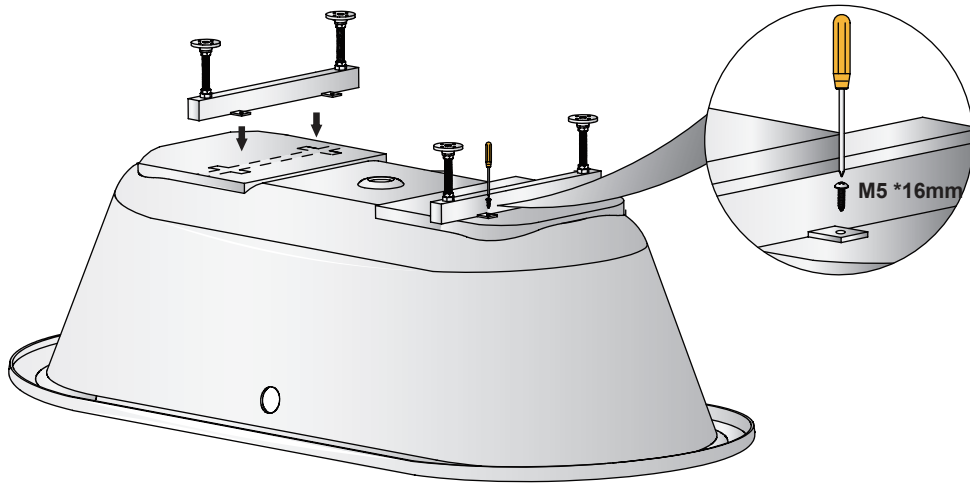
Parts supplied:



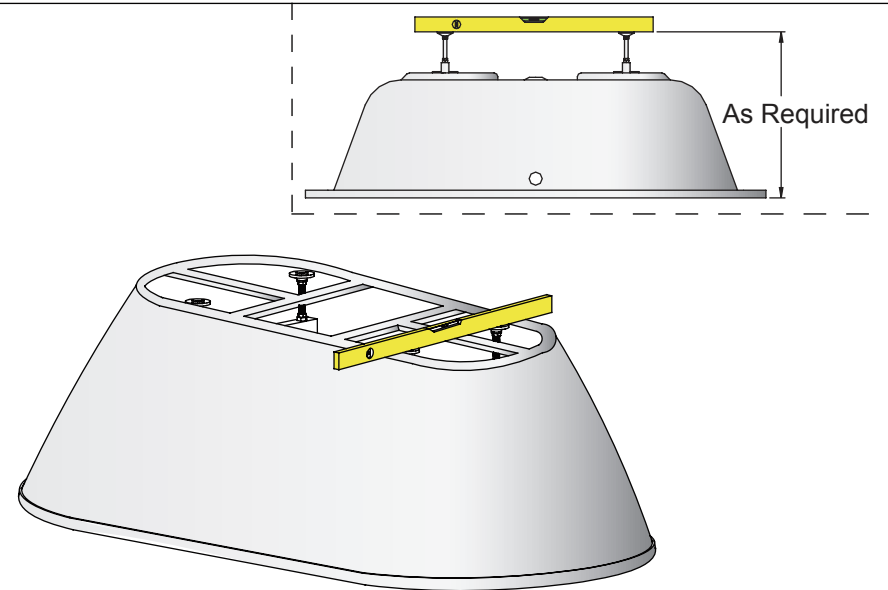
- Prior to installation check that all parts have been supplied.
- Assemble bath on a mat to protect against damage to bath surface.
- This product requires a two person lift - use proper lifting techniques.
- This installation guide does not include recommendation of waste connection; final decision about installation and waste connection should be taken by a suitably qualified person.
- Follow each step in turn.



3

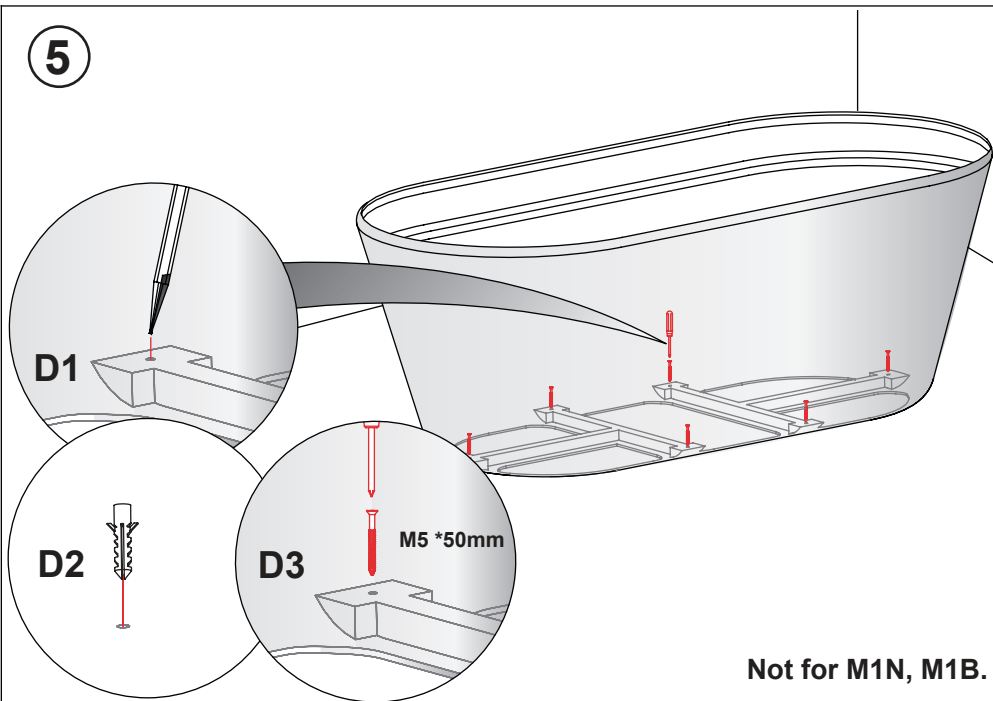


4



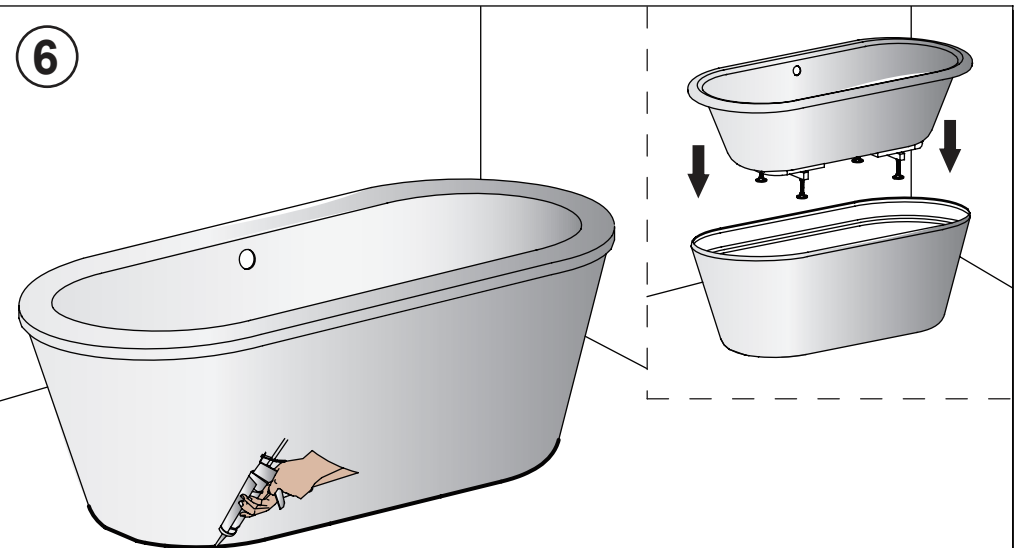
- Set the bath at the height as required from floor to the top of the bath rim. Install the panel on to the bath and adjust if required to ensure that the bath feet are level with the panel in fitted position.

5



Not for M1N, M1B.

6



-  Trap, waste and water feed connection should be completed first.