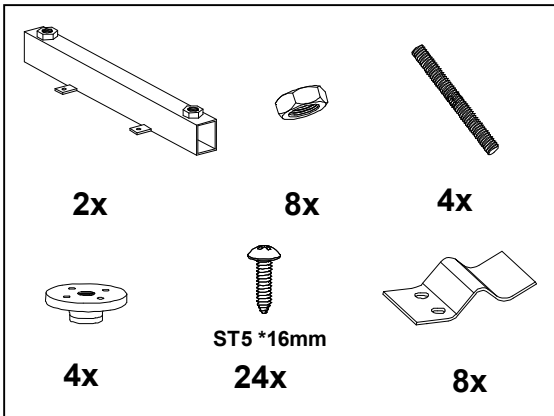


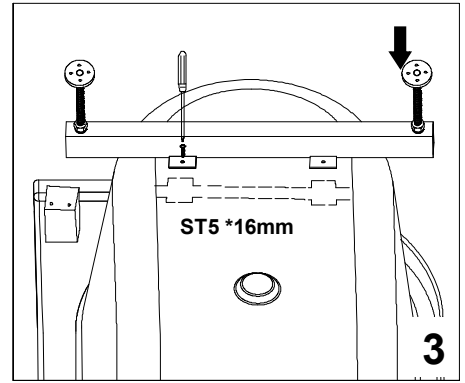
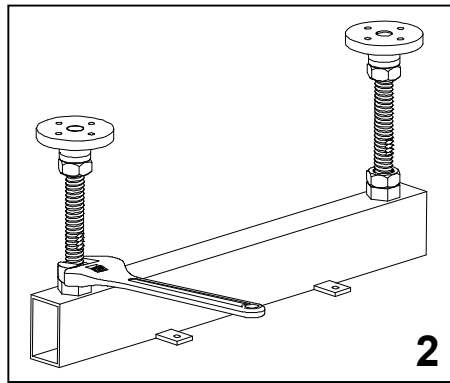
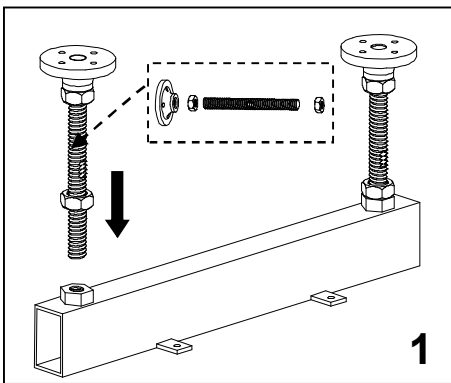
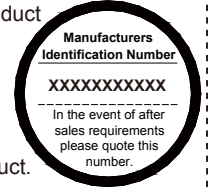
Parts supplied:



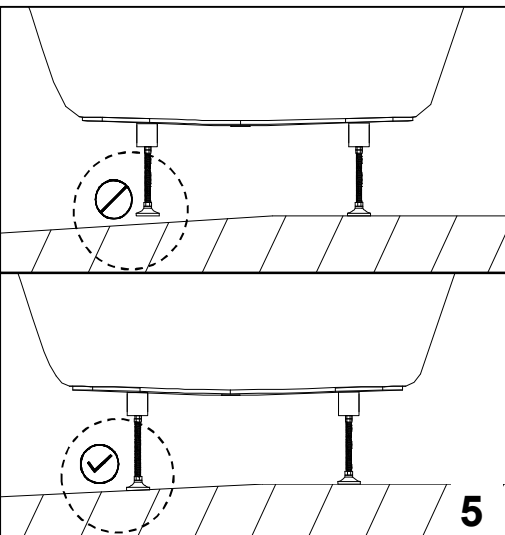
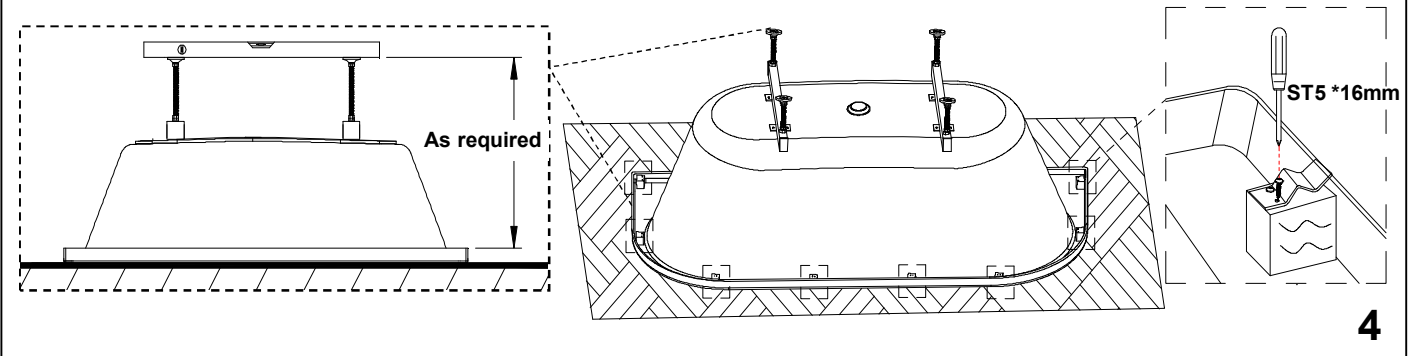
NOTES

- Prior to installation check that all parts have been supplied.
- Assemble bath on a mat to protect against damage to bath surface.
- This product requires a two person lift - use proper lifting techniques.
- This installation guide does include recommendation of waste connection; final decision about installation and waste connection should be taken by a suitably qualified person.
- Follow each step in turn.

Please place your product identification number here and keep this paperwork in a safe place as you will need this if a problem occurs with your product.



- Set the bath at the height as required from floor to the bottom of the bath rim for installing with bath skirt.
- Install the 8 Skirt Clips to the wooden blocks underneath the bath rim.



- The overflow, waste, taps have been fitted by a suitably qualified person before pushing into the bath skirt.
- It is essential that once the bath is in its final position the bath legs be firmly fixed to and secured to the floor using fixings appropriate for the type of floor surface (such fixing not included).
- To hold the ends of the bath surround securely, and support the corners of the bath, we recommend that wall battens are fitted as shown. Baths can flex when filled with water, so the battens should not be attached to the bath. Use a fixing method like Velcro to hold the bath panel to the battens.

A horizontal wall batten should be fitted to support the back ledge of the bath.

