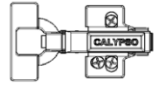




Important Information

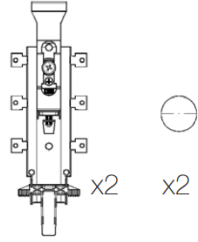
- On receipt of any product, ensure that the product is unboxed carefully and inspected for damages or defects, within 1 day. In the unlikely event that the product is damaged please report this to retailer. Under no circumstance should the product be installed.
- Do not carry units by their struts/rails.
- Do not compress carcasses or other items up against walls as this may affect the door or draw opening action.
- Avoid the use of strong adhesive tapes, to prevent damage to the laminated surface.
- Scudo, assumes that the product is being installed by a competent professional. We may ask for evidence of this.
- Scudo assumes that the product is being installed on reasonable level floors and walls. If this is not the case, it is expected the product may not perform optimally.
- Steps must be taken to ensure the product is secured to a suitable surface, i.e. a stud with noggins placed for fixings.
- Beware of hidden pipes and cables.
- Ensure appropriate PPE is worn.
- Never overload shelves or carcass.
- Glass Warning: Do not strike glass components with hard or pointed items. Do not place very hot or very cold items against or in close proximity to glass surfaces unless an adequately thick insulation material is used to prevent such items coming in contact with the glass. If a glass component becomes chipped or broken, replace immediately.
- Scudo furniture is designed for domestic environments only. These environments must be suitably ventilated using an extractor fan, of the appropriate size for the room, which has an overrun function.
- MDF or MFC based bathroom furniture must never be installed close to an un-enclosed shower, or in a wetroom environment with any risk water will come into contact with the product.
- Any cut panel edges must be sealed with a good quality PVA, or silicone based sealed, especially the rear edge of any trimmed worktops or abutments to basins. Failure to do this will invalidate the guarantee.
- All points where worktops or furniture abut walls, floors or basins should be sealed with a bead of silicone to prevent capillary action causing water ingress into the units.
- Any and all spillages must be immediately cleaned and dried to prevent water ingress from occurring.
- Ensure any WC installed to the laminate, is fully secured to the floor to prevent the WC from pulling on the veneer.
- Damage caused by water ingress, will not be classified as a manufacturing defect as a combination of all the preventive measures, will result in the product lasting a lifetime.

WALL UNIT



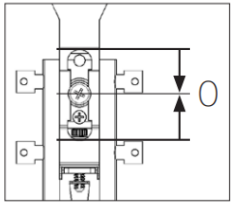
x2 (1Door)
x4 (2Door)

x10 x1



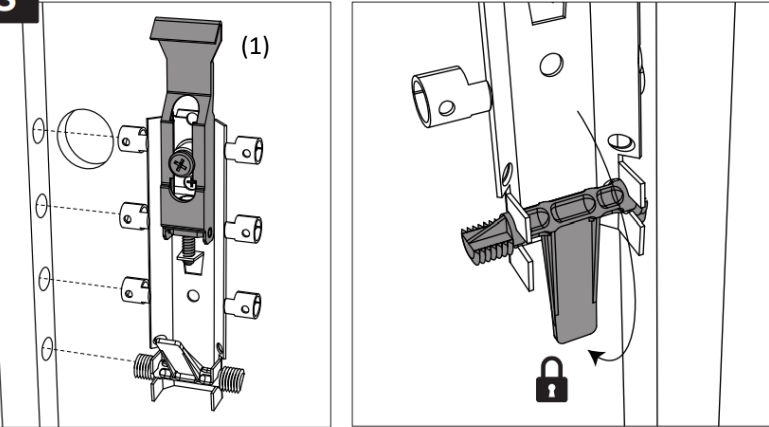
x2 x2

HANGING BRACKETS

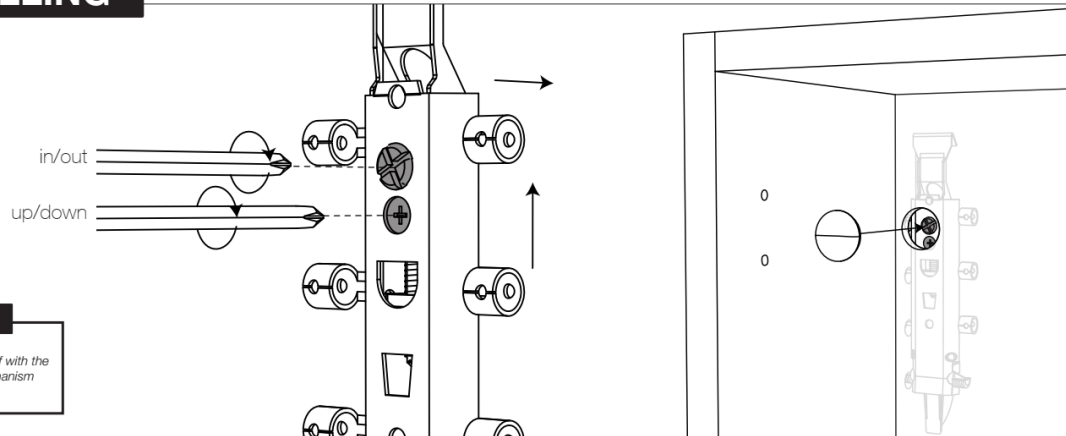


TOP TIP

Centralise the wall hanging adjustment screw prior to hanging the wall unit. This way you have maximum vertical adjustment.

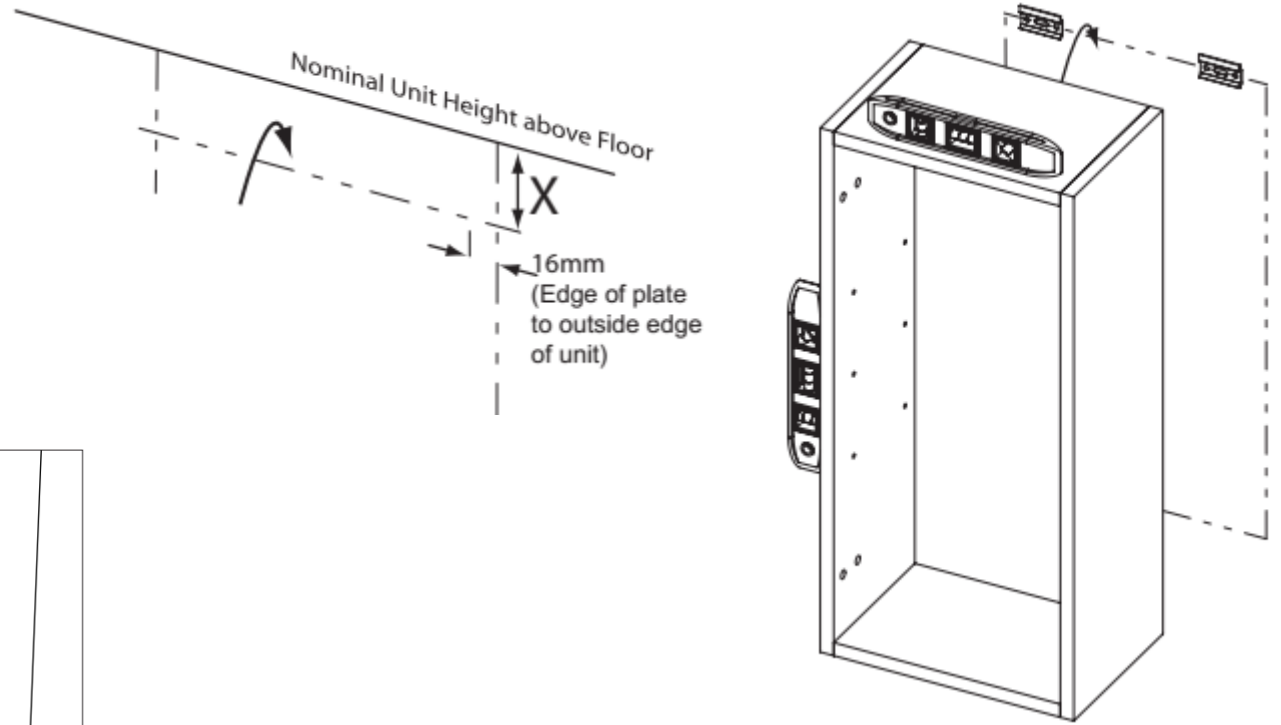


LEVELLING



TOP TIP

Familiarise yourself with the wall hanging mechanism before fitting.



Hanging Wall Units

Measure from the top of the unit to the bracket hook marked (1) this will give measurement X.

Decide desired height, recommended standard 800mm to top of basin. Mark wall using a level.

Apply X measurement below first mark using a level.

Measure distance between hanging brackets take into account the carcass thickness.

Mark wall bracket to drill and fix with appropriate fixing.

Alfie Draw Adjustment

Draw removal:

- Fully open the draw, lift as shown in fig 3.
- Push back the draw runners to release

Draw adjustment:

(See fig 1)

- | | | |
|--------|---|---|
| RED | = | Draw front release. |
| ORANGE | = | Cam adjustment to raise and lower the draw box. |
| GREEN | = | Adjust draw front left and right. |

Soft Close / Push release adjustment:

This can be adjusted by turning the orange wheel in fig2

Fig 1

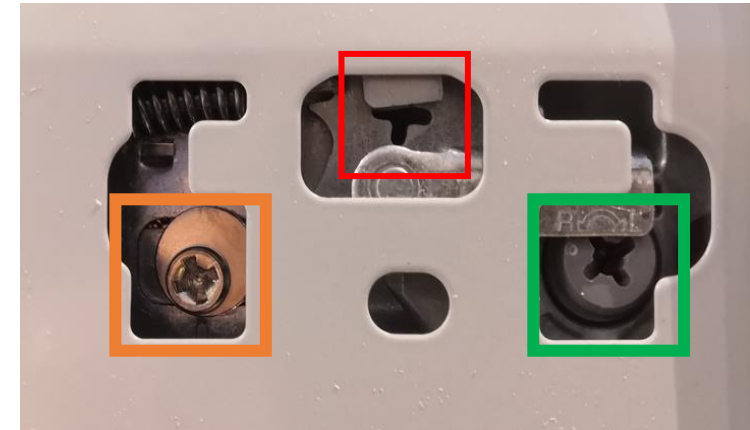


Fig 2

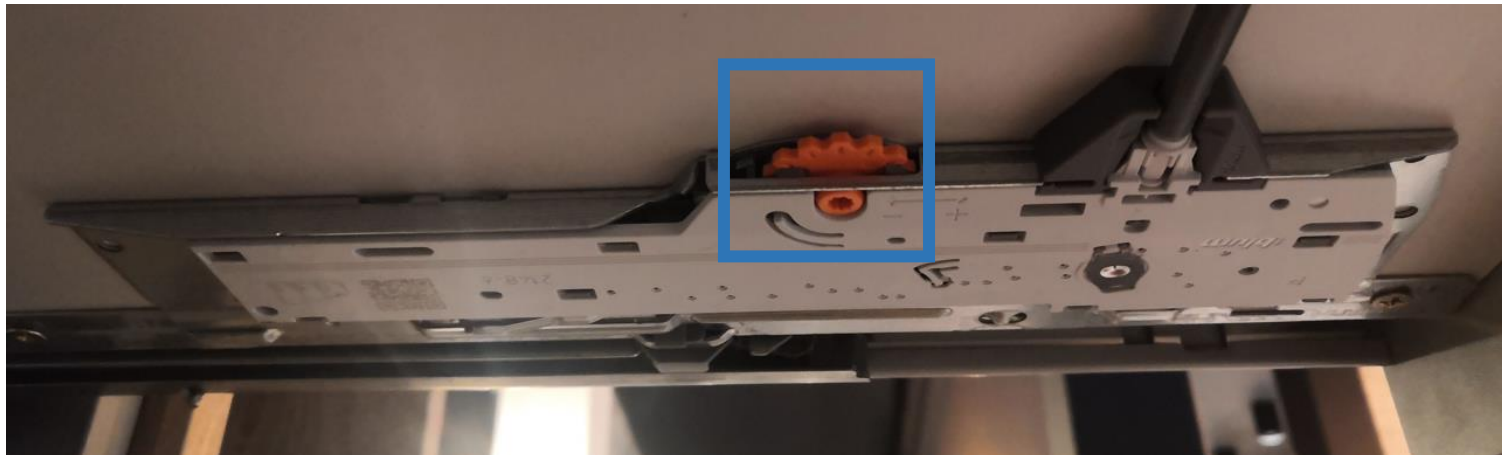


Fig 3



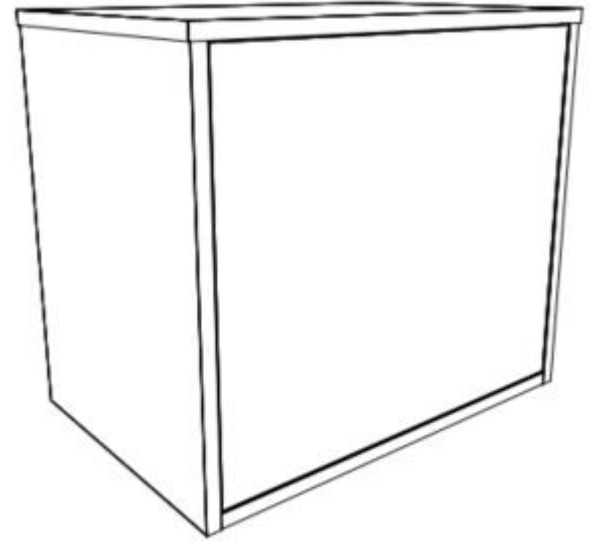
The Alfie range, is using the Blum Inserta clip system which allows fast easy installation

Step 1:

With the metal clip folded at a 90° angle place the clip in the pre drilled holes

Step 2:

While ensuring the clip is fully inserted, unfold the metal clip.



Basin Installation Instruction

(all sizes)

SUGGESTED TOOLS AND MATERIALS



Silicone Sealant



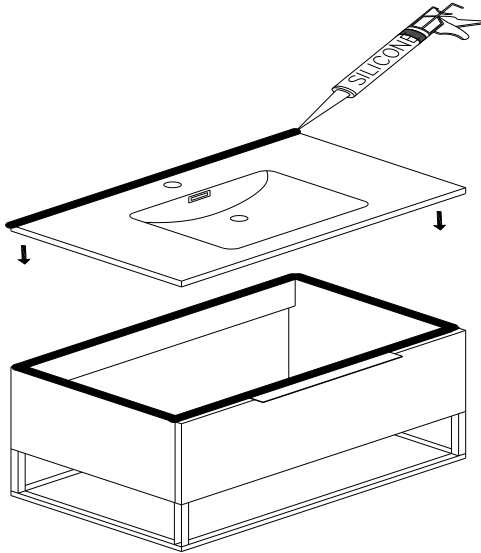
Level



Tape Measure



Safety Glasses



**NOTE: top style, shape, cutout on the basin vanity may vary from the picture above. Instructional purposes only.

Basin Instructions

1. Carefully remove the basin from the box, making sure to gently place it on an even surface. At this point, it would be best to install the faucet and drain as per the manufacturer's instructions.
2. Apply silicone to the top of the cabinet. Make sure to use enough so as to ensure that the vanity will firmly stay in position.
3. If there is any excess silicone, clean it off gently with a soft cotton cloth or sponge.
4. Gently pick up the basin and place the basin on the cabinet, as shown above in the diagram.

Product Care and Maintenance

- In order to clean the basin, please only use soft cotton cloth or soft sponge.
- Never use acidic, alkali, or any products that state on their label that they're not suitable for using on poly-marble or natural stone, to clean the basin.
- To clean the basin, wet the surface of the basin, apply cleaning product with cloth or sponge and then use water to clean and rinse. Ensure no cleaning products is left over on the top as that may leave residue.