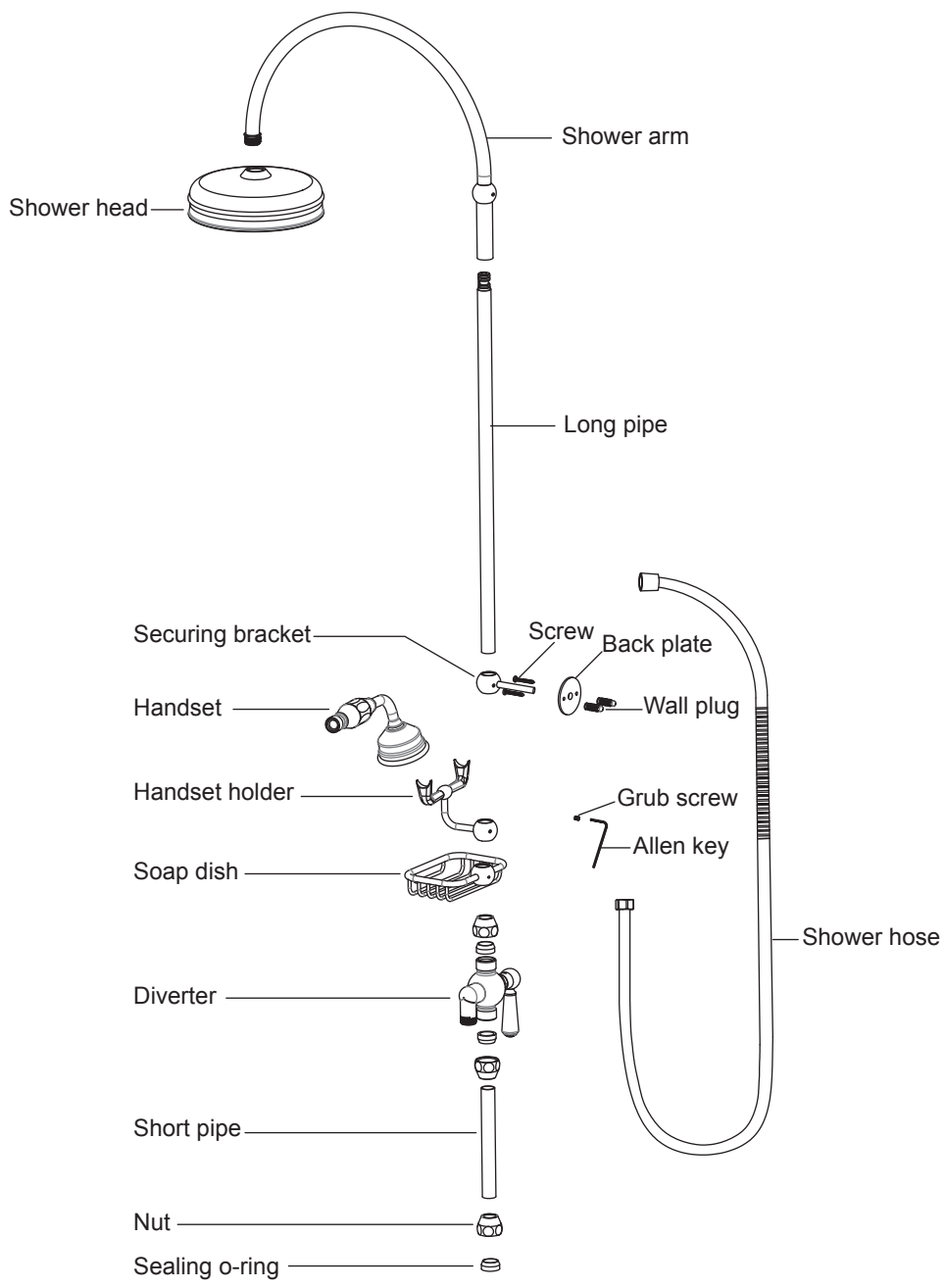
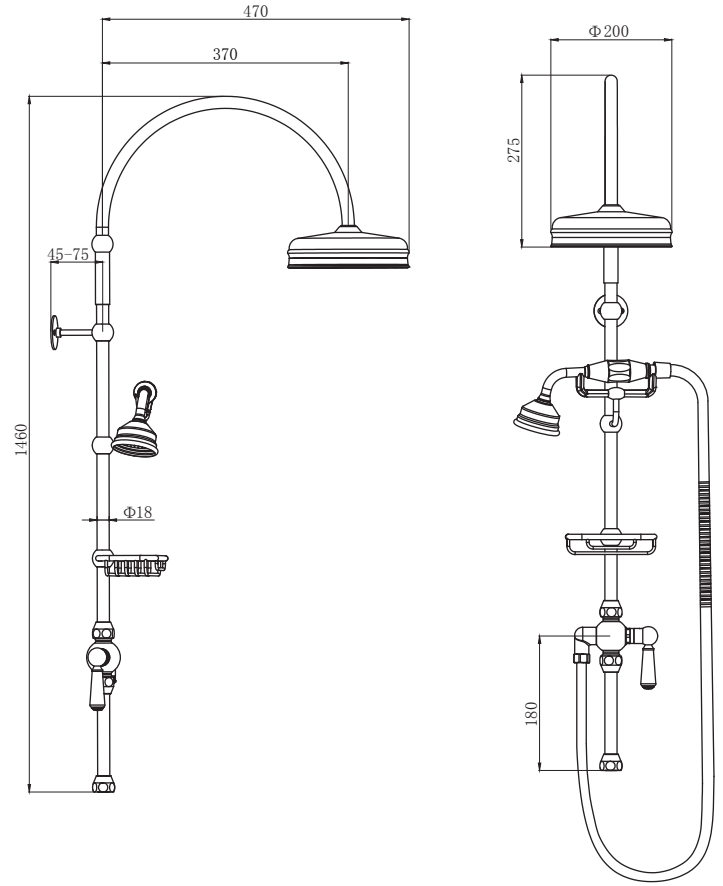


Exploded Diagram



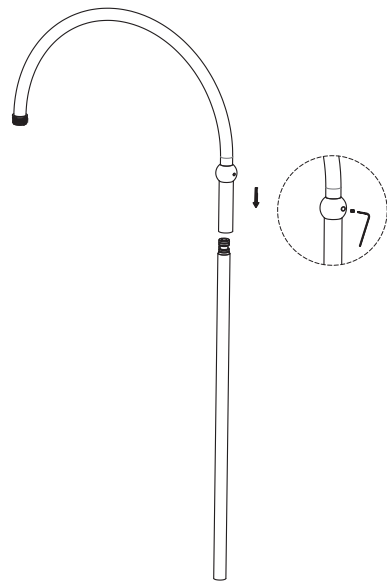
# Deluxe Grand Rigid Riser Kit



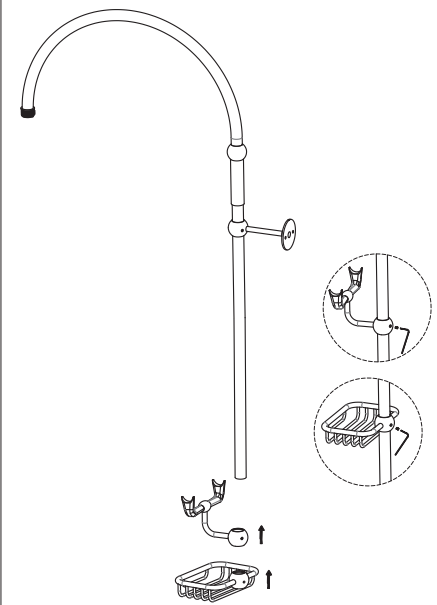
## Installation Instructions

Please follow them carefully and leave this manual with end user

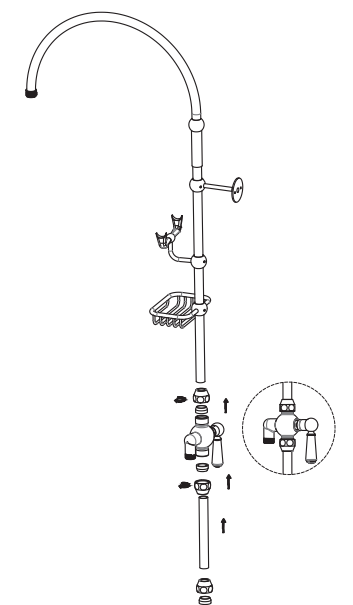
### INSTALLATION PROCEDURE



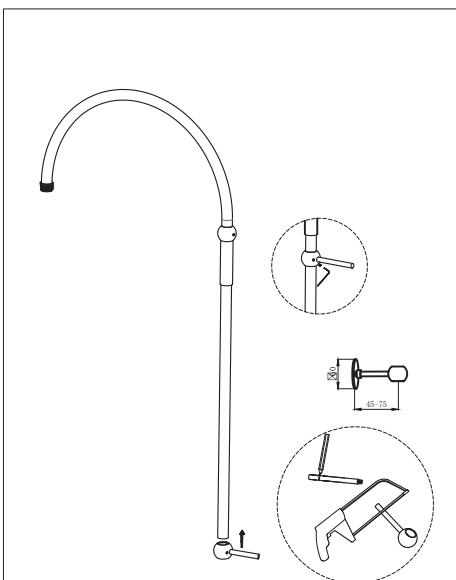
**1** Insert the long pipe into the shower arm. Lock the grub screw with an Allen key.



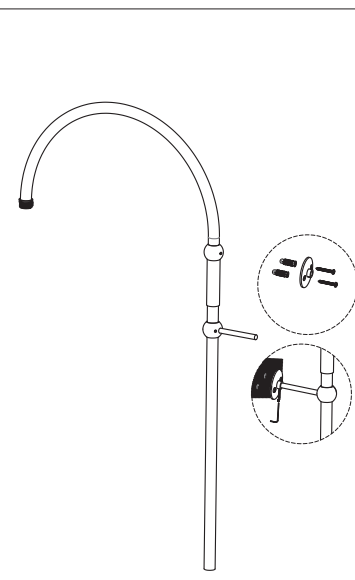
**4** Install the handset bracket and soap dish onto the long pipe. Lock the grub screw with an Allen key.



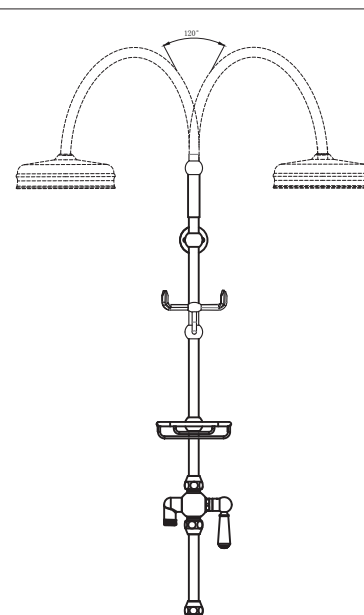
**5** Install the diverter onto the long pipe. **Tight** the nuts to connect the long pipe and short pipe.



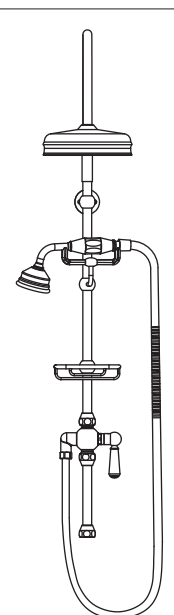
**2** Cut the pole to the required length to align with the shower valve. Screw the pole into the wall bracket. Install the wall bracket onto the long pipe. Lock the grub screw with an Allen key.



**3** Drill two holes with required height. Fix the back plate onto the wall with the plugs and screws. Insert the pole into the back plate and lock the grub screw with an Allen key.



**6** Install the shower head onto the shower arm. The shower arm can be **swivel**.



**7** Connect the elbow of the diverter to the handset with the shower hose.