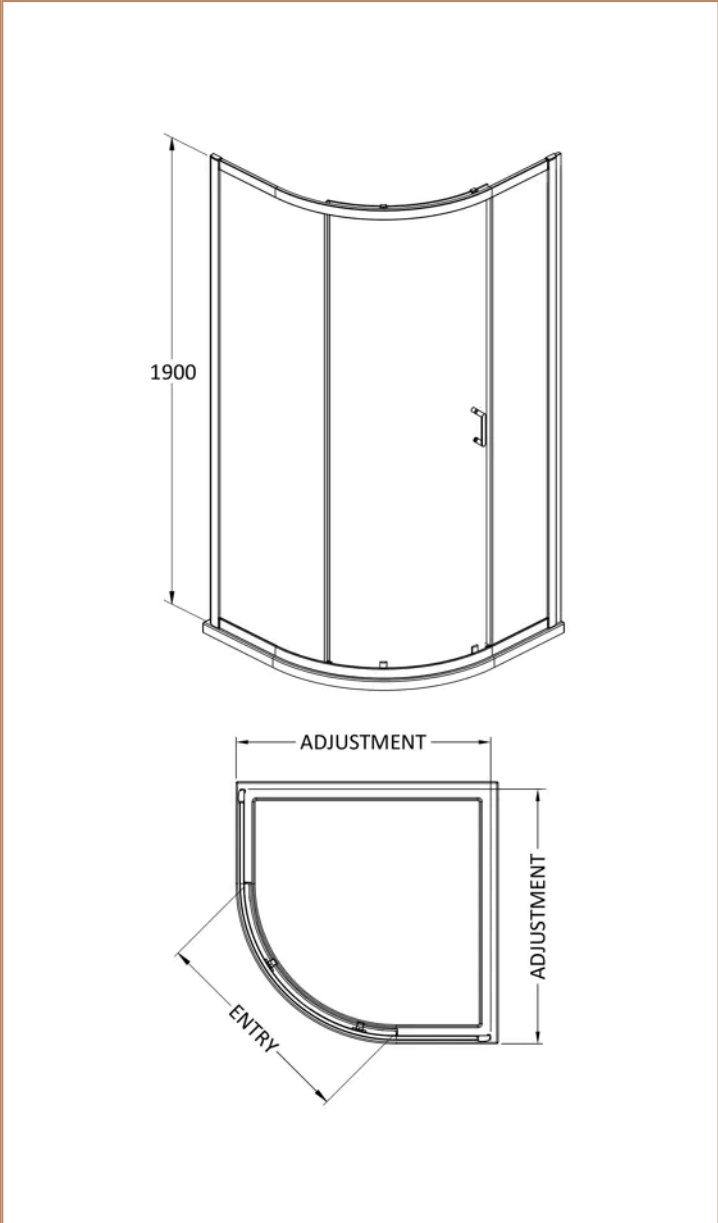


Sales Code: AQU9NE1BP-E8

Barcode: 5056678441411

Brand: nuie

Description: nuie Lucie 900mm Framed Matt Black Single Entry Curved Shower Enclosure



Product Dimensions

Product	1900 x 880 x 880mm (H x W x D)
Packaged	1960 x 435 x 155mm (H x W x D)
Nett Weight	56.9 kg
Packaged Weight	56.9 kg

Product Details

Country of Origin	China
Product Material	Aluminium,Glass
Colour/Finish	Matt Black
Style	Contemporary
Handle Type	D Shape
Easy Clean	No
Adjustment Max	895
Adjustment Min	875
Ce Certified	Yes
Easy Fit	Yes
Enclosure Design	Framed
Entry Width	490 mm
Frame Finish	Matt Black
Glass Thickness	8 mm
Handles Included	Yes
No. Doors	1
Radius	538 mm
Return Panel Included	No
Support Bar Included	No
Wheel Type	Dual Quick Release