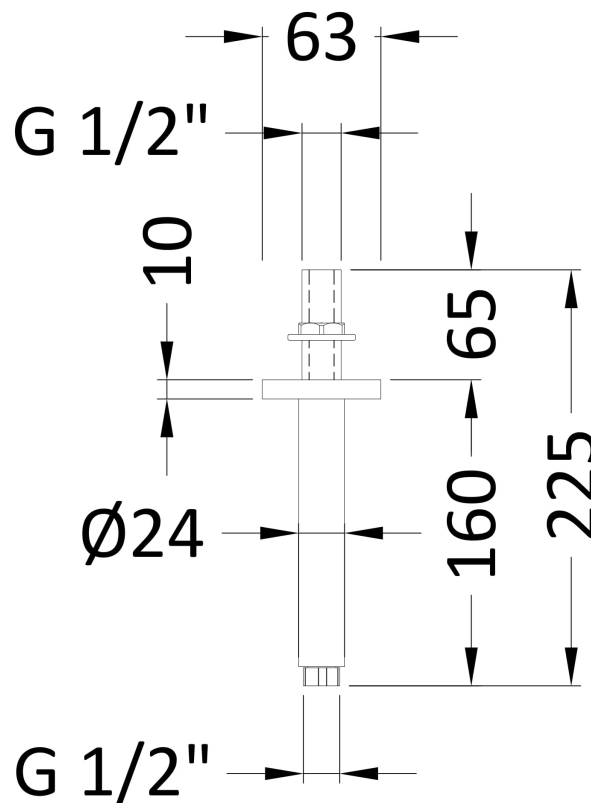
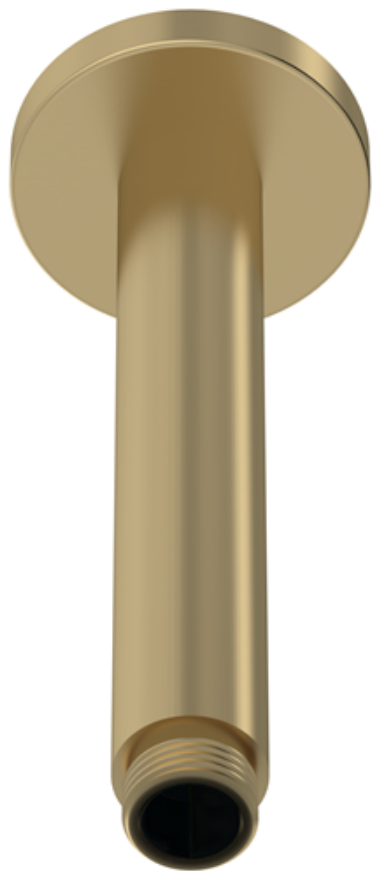


Sales Code: ARM815

Description: Round Ceiling Arm 150mm



Product Dimensions

Length (mm):	
Width (mm):	63
Height (mm):	225
Depth (mm):	63
Nett Weight (kg):	0.43

Packaging Dimensions

Length (mm):	230
Width (mm):	80
Height (mm):	
Gross Weight (kg):	0.43

Packaging Data

Box Colour:	White Cardboard Box
Box Qty:	1
Label Size:	100 x 50
Label Colour:	White Label
Label Qty:	2

Outer Box Dimensions (If Applicable)

Length (mm):	
Width (mm):	480
Height (mm):	430
Depth (mm):	190
Gross Weight (kg):	9
Barcode:	5056462620282

Product Details

Country of Origin:	China
Fitting Instruction:	No
Product Material:	Brass
Mount Type:	Surface, Ceiling
Outlet Elbow Supplied:	No
Easy Clean:	Not Applicable
Head Included:	No
Handset Included:	Not Applicable
Body Jets Included:	No
No of Body Jets:	Not Applicable
Operating Pressure (bar):	
Valve/Cartridge Type:	Not Applicable
Flow Rates (L/min):	0.1 bar: N/A 0.5 bar: N/A 1 bar: N/A 2 bar: N/A 3 bar: N/A
TMV2 Approved:	No Approval No: N/A
TMV3 Approved:	No Approval No: N/A
WRAS Approved:	No Approval No: N/A
Head Function:	Not Applicable
Handset Function:	Not Applicable
Body Jet Info:	Not Applicable
Pipe Size:	Not Applicable
Pipe Centres:	N/A
Colour/Finish:	Brushed Brass
Hose Included:	Not Applicable
No. of Outlets:	1