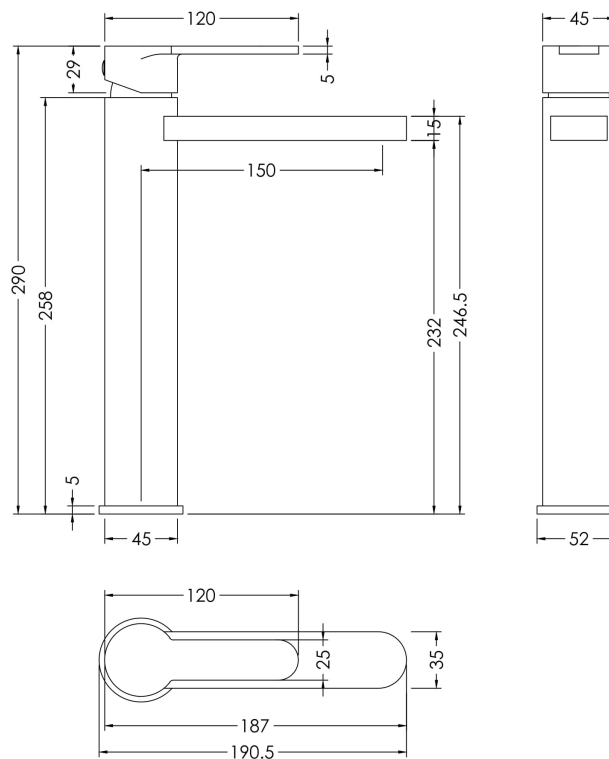


Sales Code: ARV870

Description: Arvan High Rise Mixer (No Waste)



### Product Dimensions

Height (mm):	290
Width (mm):	52
Depth (mm):	187
Length (mm):	
Nett Weight (kg):	1.83

### Packaging Dimensions

Height (mm):	95
Width (mm):	265
Depth (mm):	325
Gross Weight (kg):	1.83

### Packaging Data

Box Colour:	White Cardboard Box
Box Qty:	1
Label Size:	100 x 50
Label Colour:	White Label
Label Qty:	1

### Outer Box Dimensions (If Applicable)

Height (mm):	560
Width (mm):	500
Depth (mm):	345
Length (mm):	
Gross Weight (kg):	
Barcode:	5056462601342

### Product Details

Country of Origin:	China
Fitting Instruction:	No
Product Material:	Brass
Control Type:	Manual
Waste Included:	Waste Not Included
Waste Type:	Not Applicable
WRAS Approval:	No
Approval No:	N/A
Valve/Cartridge Type:	Single Lever Cartridge
Colour/Finish:	Brushed Brass
Mount Type:	Deck
Operating Pressure (bar):	0.2

Flow Rates: (Litres Per Min)	0.1 bar: 2.4	0.5 bar: 7.4	1 bar: 10.9	2 bar: 15.9	3 bar: 19.6
Pipe Size:	1/2"				
Pipe Centres:	N/A				