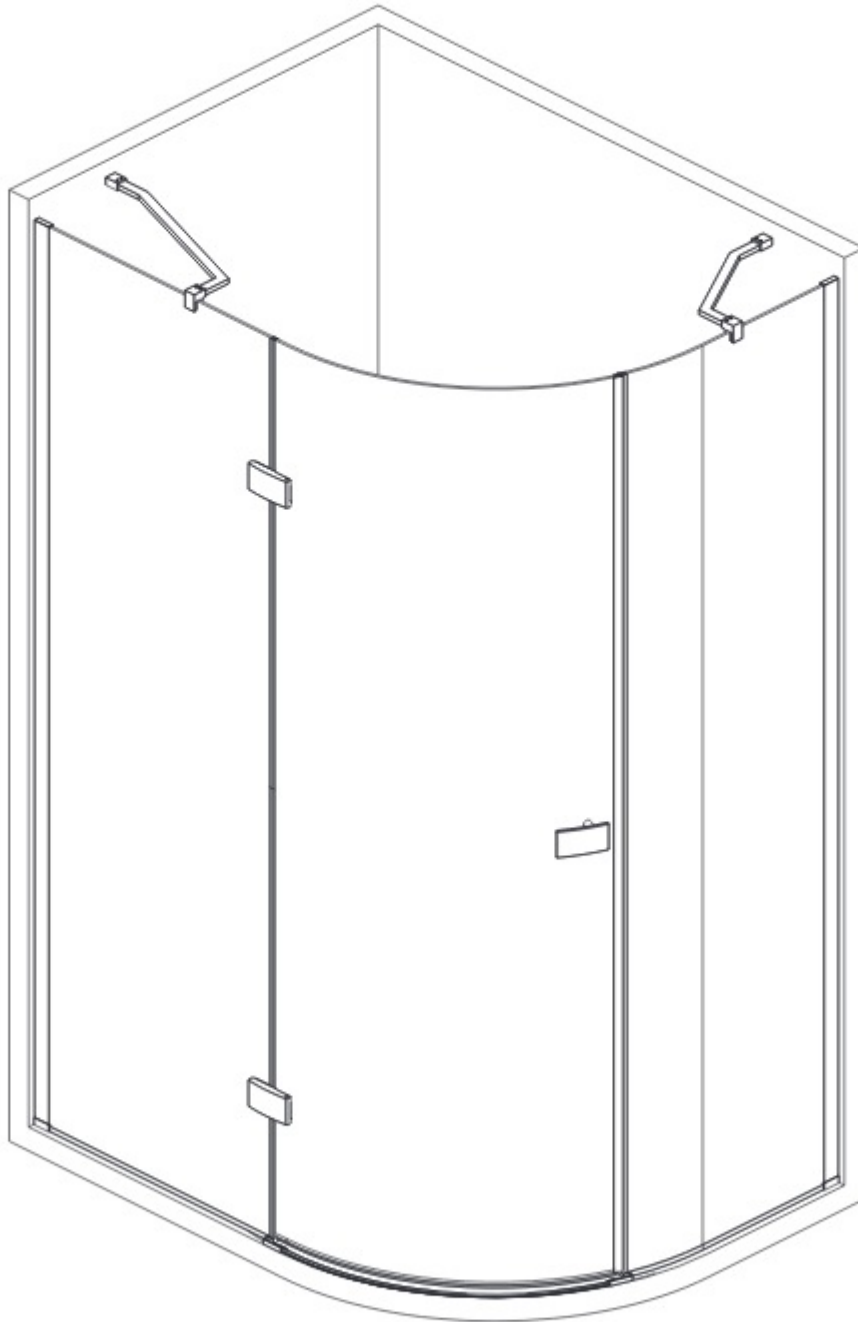
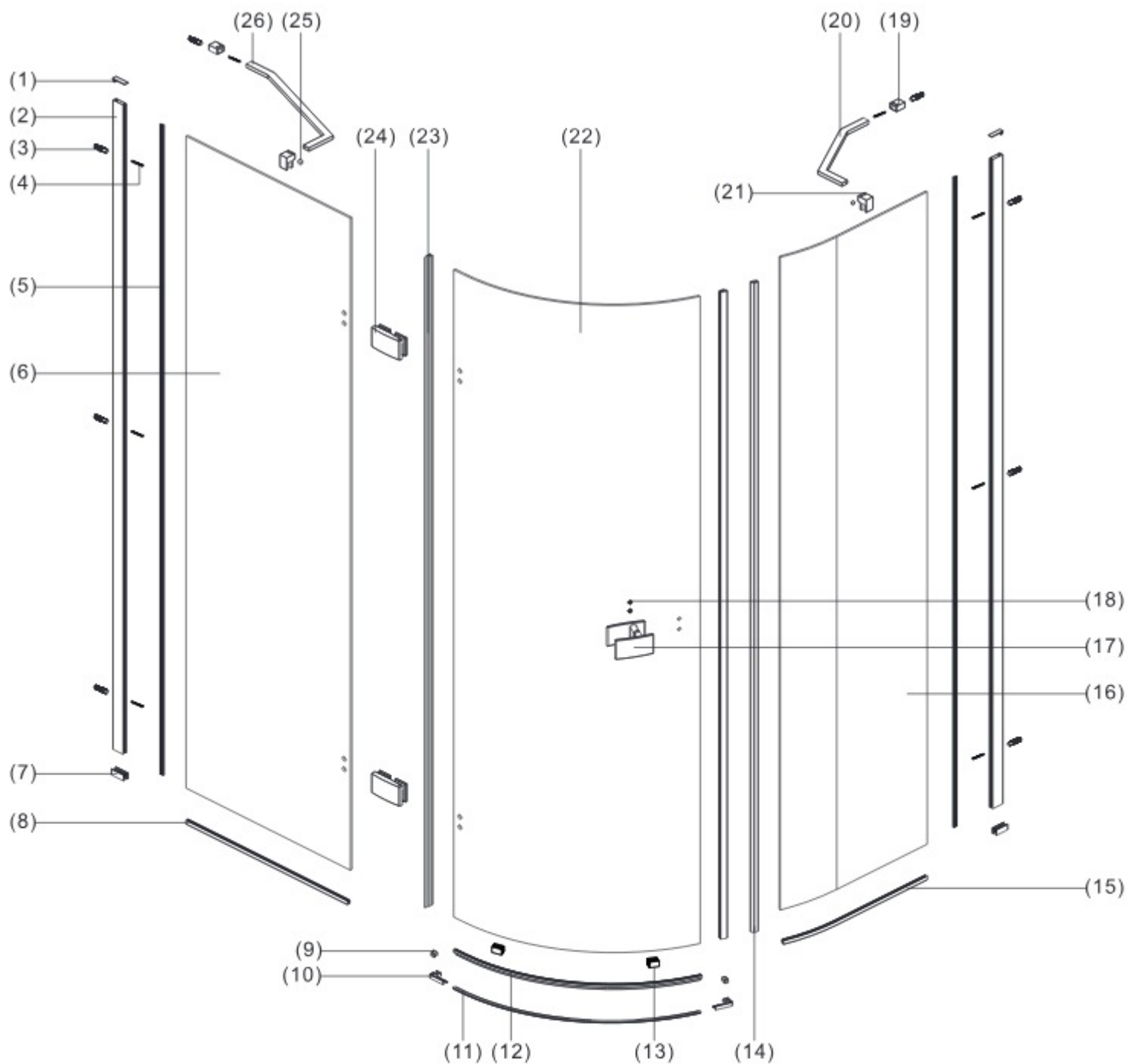


## 6MM FRAMELESS HINGE 1 DOOR QUAD



# ASSEMBLY INSTRUCTIONS - DRAWING


NB: ALL MEASUREMENTS + COMPONENT SIZES QUOTED ARE IN MM.




Parts List			Parts List				
1	N011156	Wall Profile Cover Caps	2	14	CT0046-6H-GT	Magnet Seals	2
2	LCT161	Wall Profiles	2	15	LCL048	Bottom Drip Strip B	1
3	N01135	Wall Plugs	8	16	B	Fixed Panel B	1
4	M20430	Screws ST4x30	8	17	M00075	Handle	1
5	JT0228-3.0T	Wedge Gasket Seals	2	18	N01521	Handle Cover Caps	2
6	A	Fixed Panel A	1	19	M05102	Wall Brackets	2
7	N011157 / N011158	Bases Of Wall Profile L&R	2	20	M03180	Support Bar A	1
8	LCL048	Bottom Drip Strip A	1	21	M05542	Glass Clamps	2
9	N01464	Glass Clip	2	22	C	Moving Panel	1
10	N01465/N01466	Bottom Strip Caps L&R	2	23	JT0164-6-15GT	Seal For Moving Panel	1
11	LR12345	Runa Rail	1	24	M02043	Hinges (Include Screw Caps)	2
12	JT0163-6-10/9GTS-R	Bottom Seal	1	25	N01046	Glass Clamp Cover Caps	2
13	N01882	Support Blocks	2	26	M03182	Support Bar B	1


## FIXING KIT COMPONENTS

x8	x8	x2	x2	x2
				
N01135	M20430	N01882	N01464	N011156






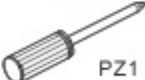





x2

N011157 / N011158

x2	x1	x1	x2	x2	x1	x2	x2
							
M05102	M03180	M03182	M05542	N01046	M00075	N01521	M02043

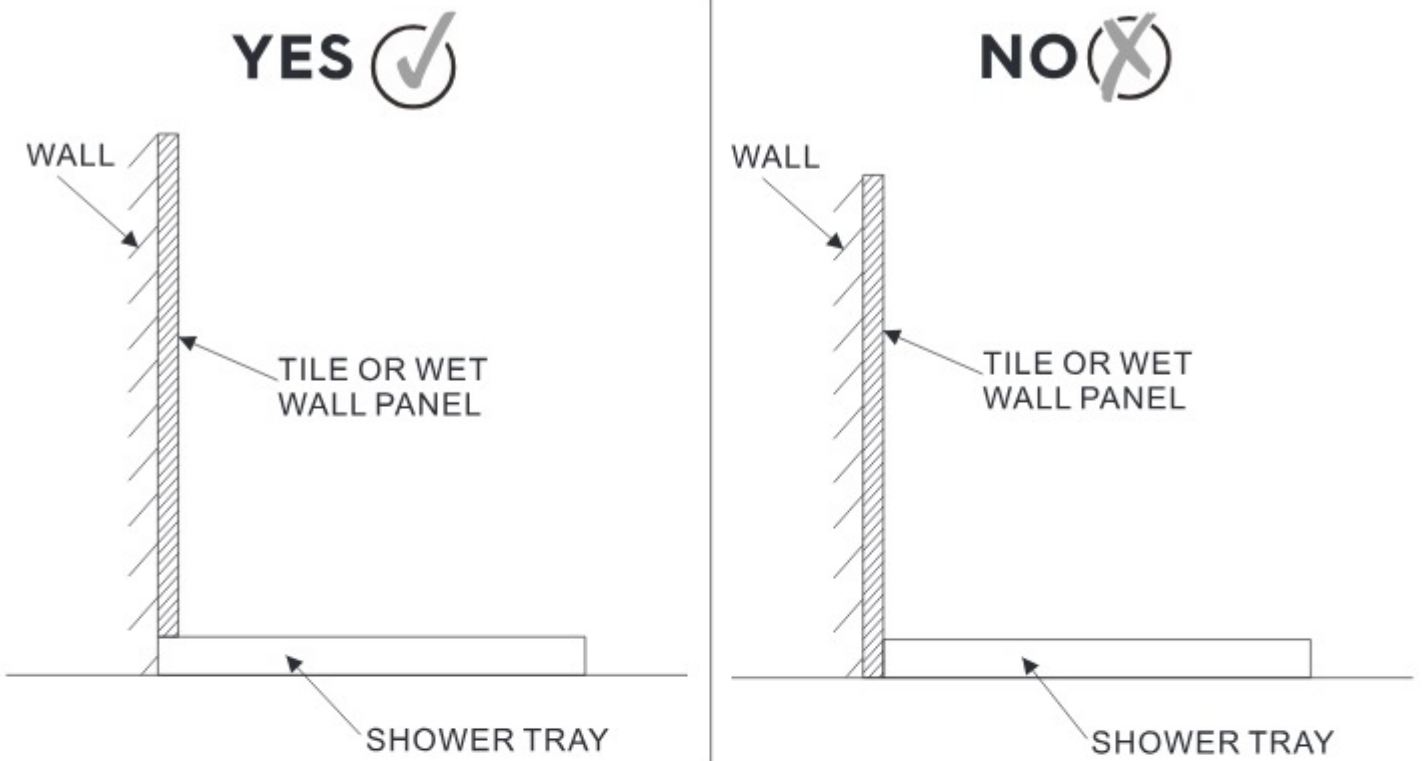
x2

N01465 / N01466

x1

F04009

## TOOLS REQUIRED

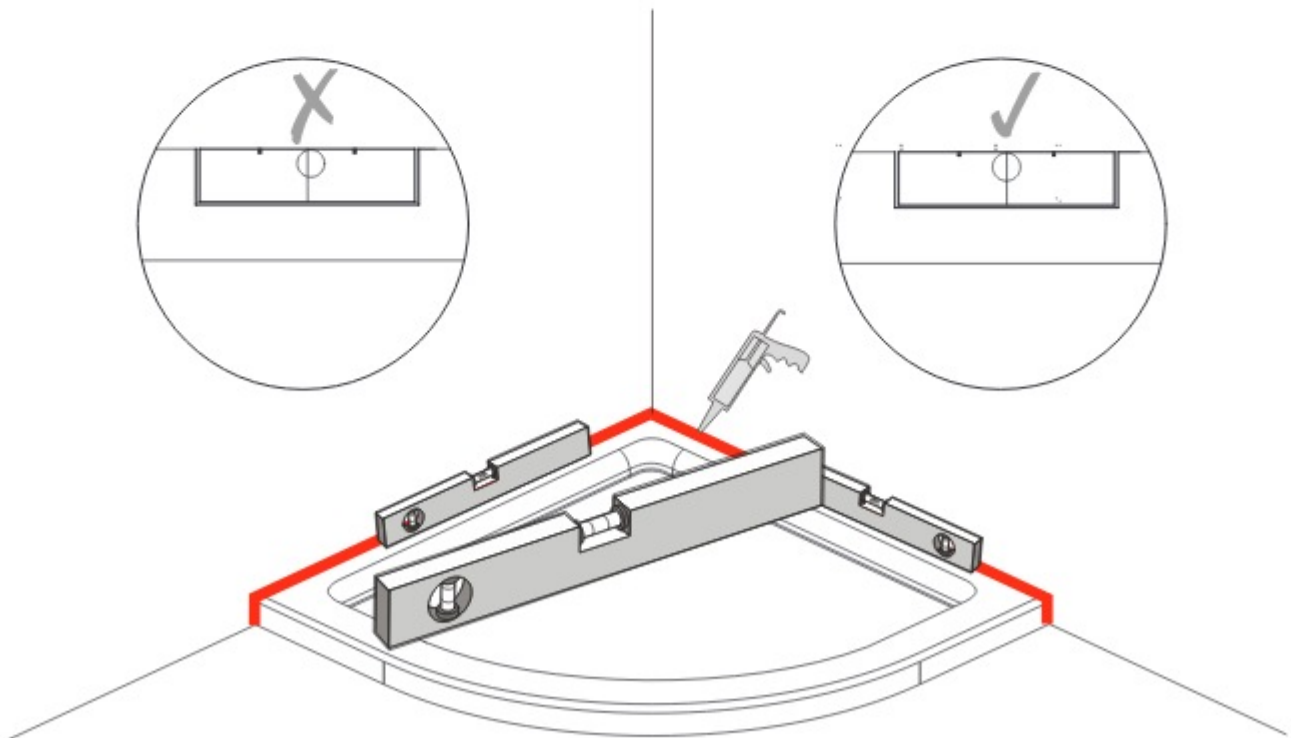
DESCRIPTION	PART IMAGE	DESCRIPTION	PART IMAGE
Tape measure		Drill	
Spirit level		Flat-head Screwdriver	
Pencil		Cross head Screwdriver	 PZ1
Ø6mm,Ø3mm Drill bit		Mallet	
Ø2,Ø2.5,Ø3,Ø4 Allen Key		Silicone Sealant	
Spanner			

STEP 1 DRAWING TO SHOW CORRECT SHOWER TRAY INSTALLATION



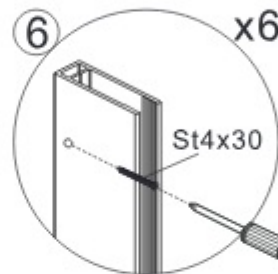
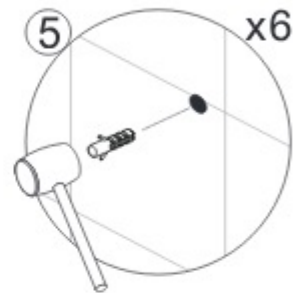
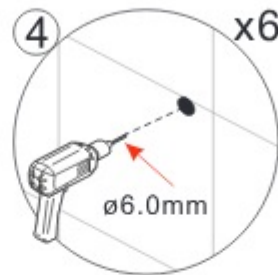
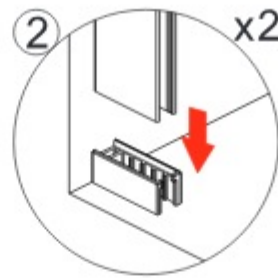
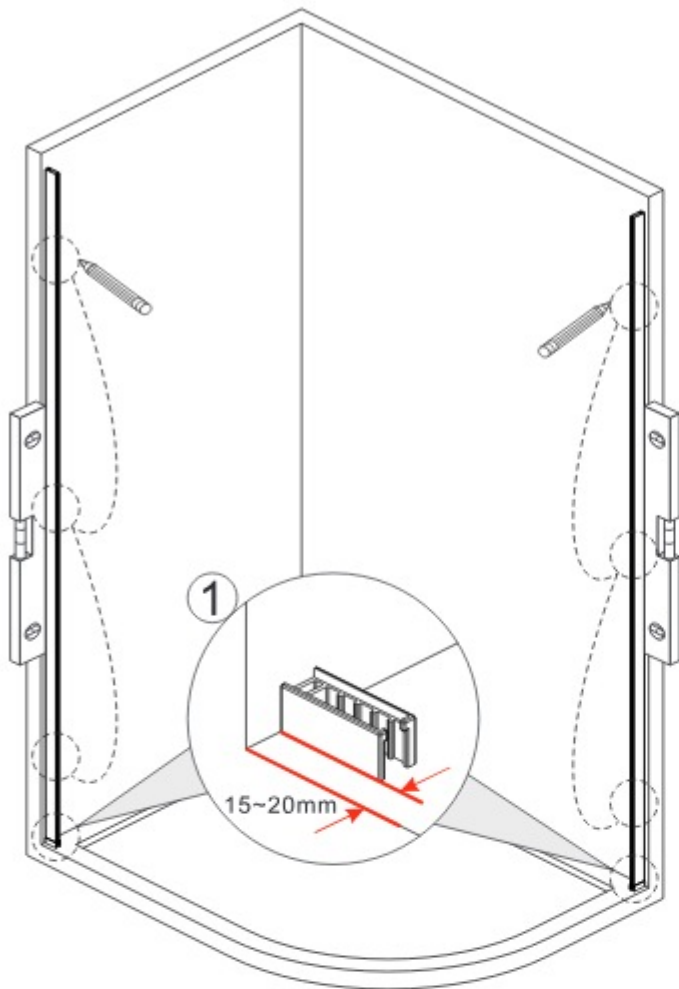
STEP 2 TRAY TO BE LEVEL

MAKE SURE THE TRAY IS LEVEL, USING A SPIRIT LEVEL, BEFORE INSTALLING THIS SHOWER PANEL / DOOR, AND THAT SILICONE IS APPLIED ON ALL SIDES WHERE THE TRAY MEETS THE TILES / WET WALL PANELS.

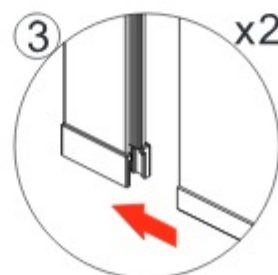
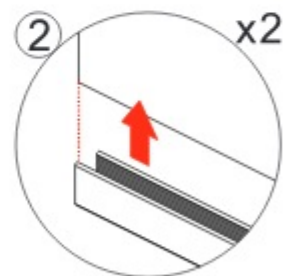
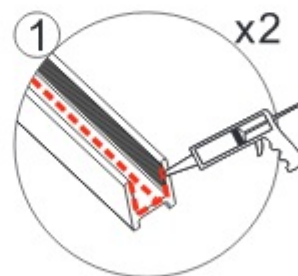
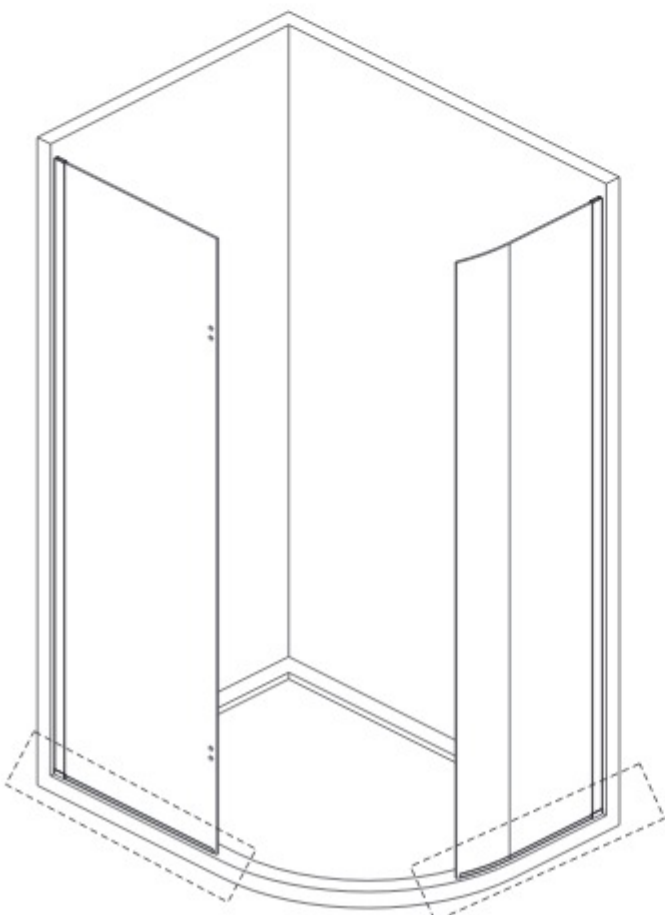


# ASSEMBLY QUADRANTS HINGE DOOR PLEASE FOLLOW BELOW STEPS

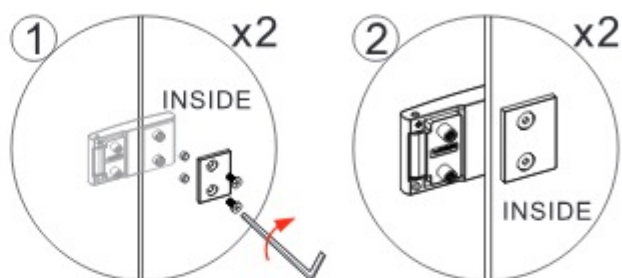
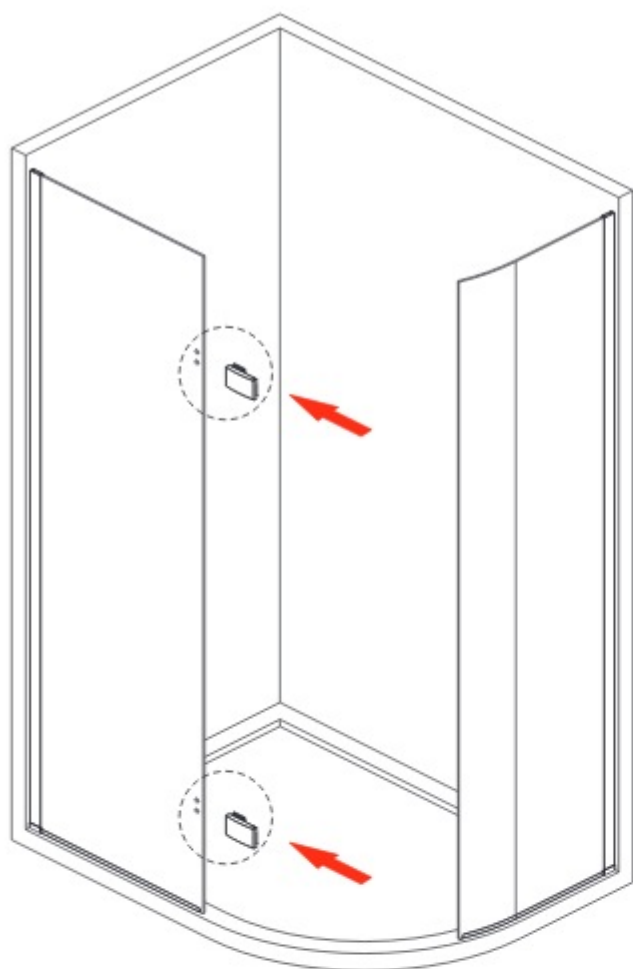
## STEP 3 FITTING WALL PROFILES TO THE WALL



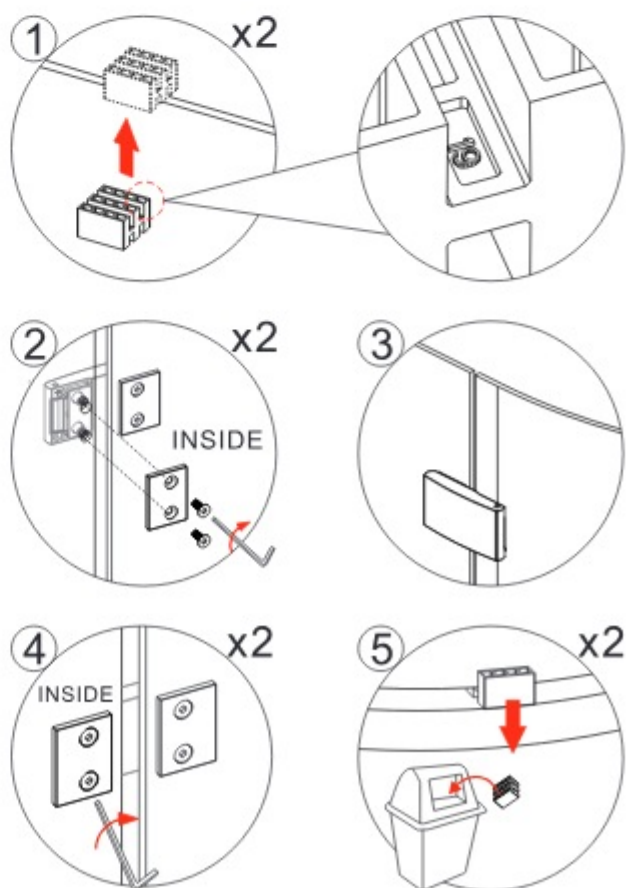
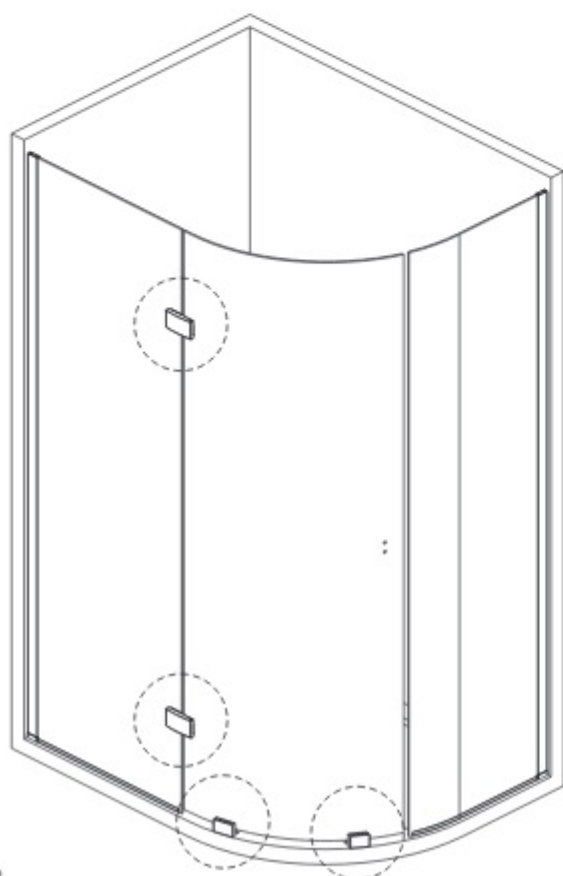
## STEP 4 FITTING THE FIXED PANEL A & B



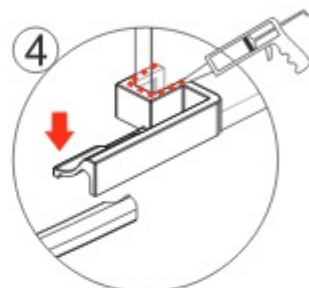
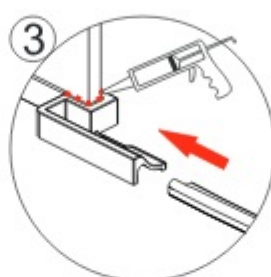
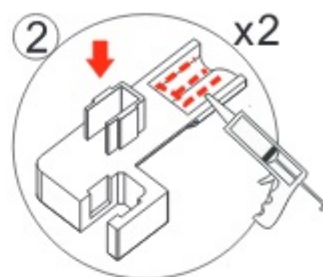
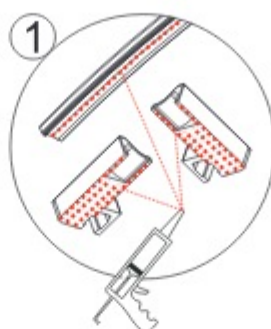
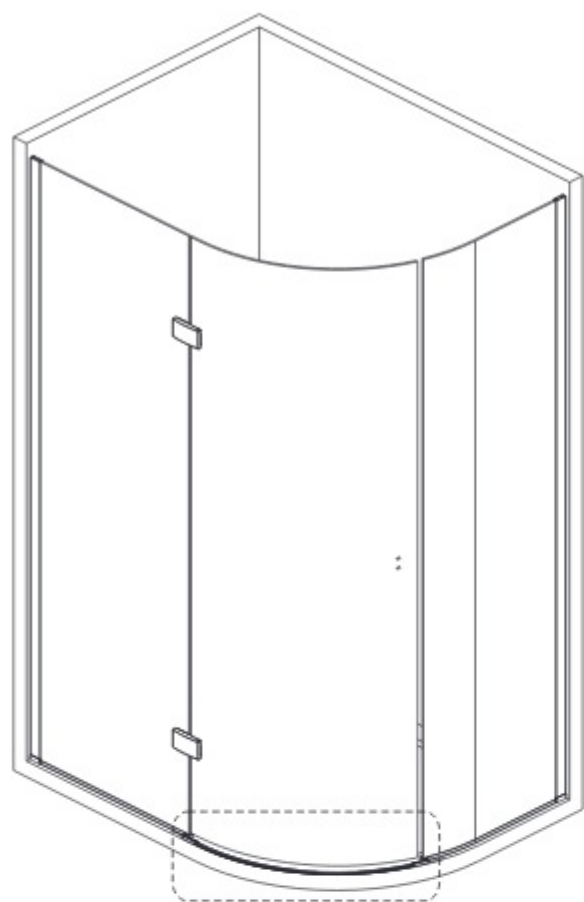
## STEP 5 FITTING THE HINGES



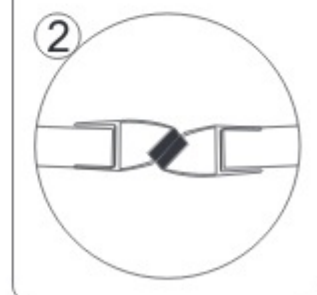
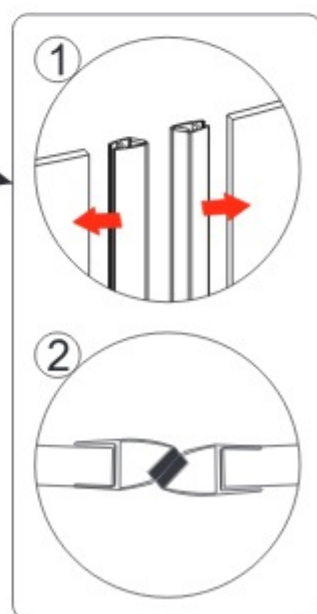
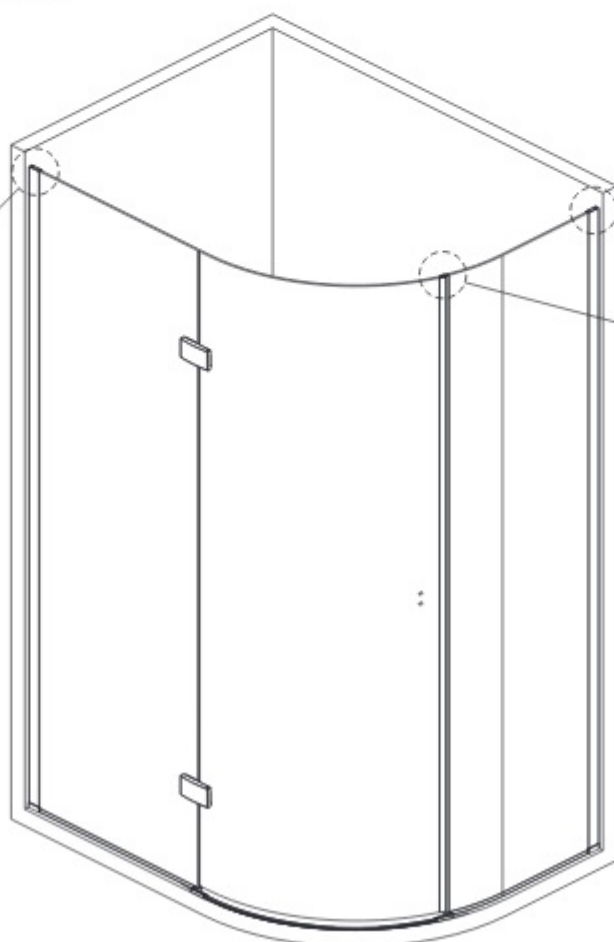
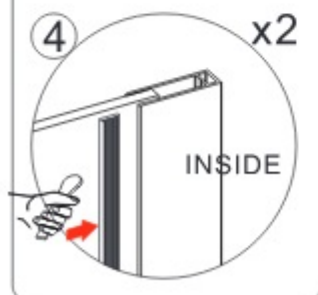
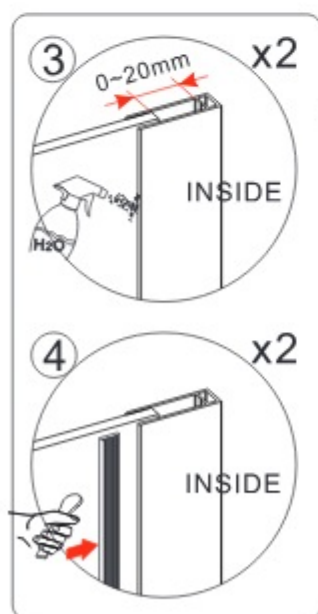
## STEP 6 FITTING THE HINGES TO MOVING PANEL



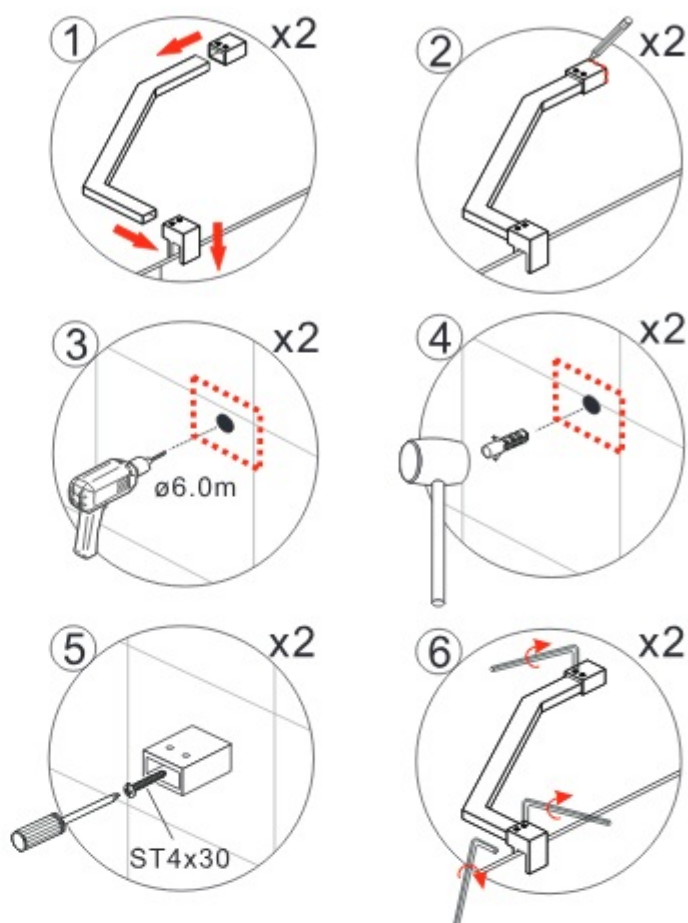
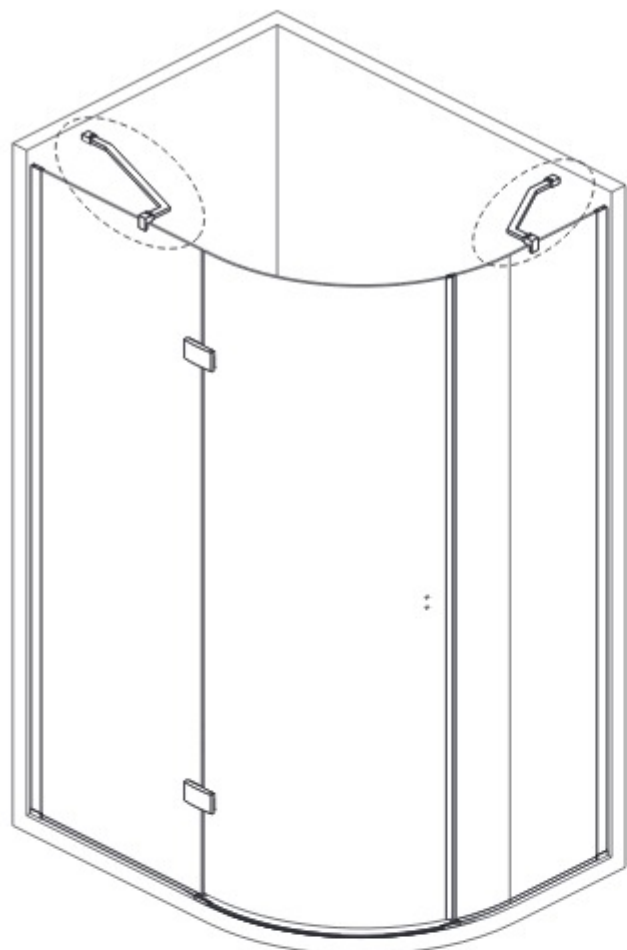
## STEP 7 FITTING THE BOTTOM RUNA RAIL



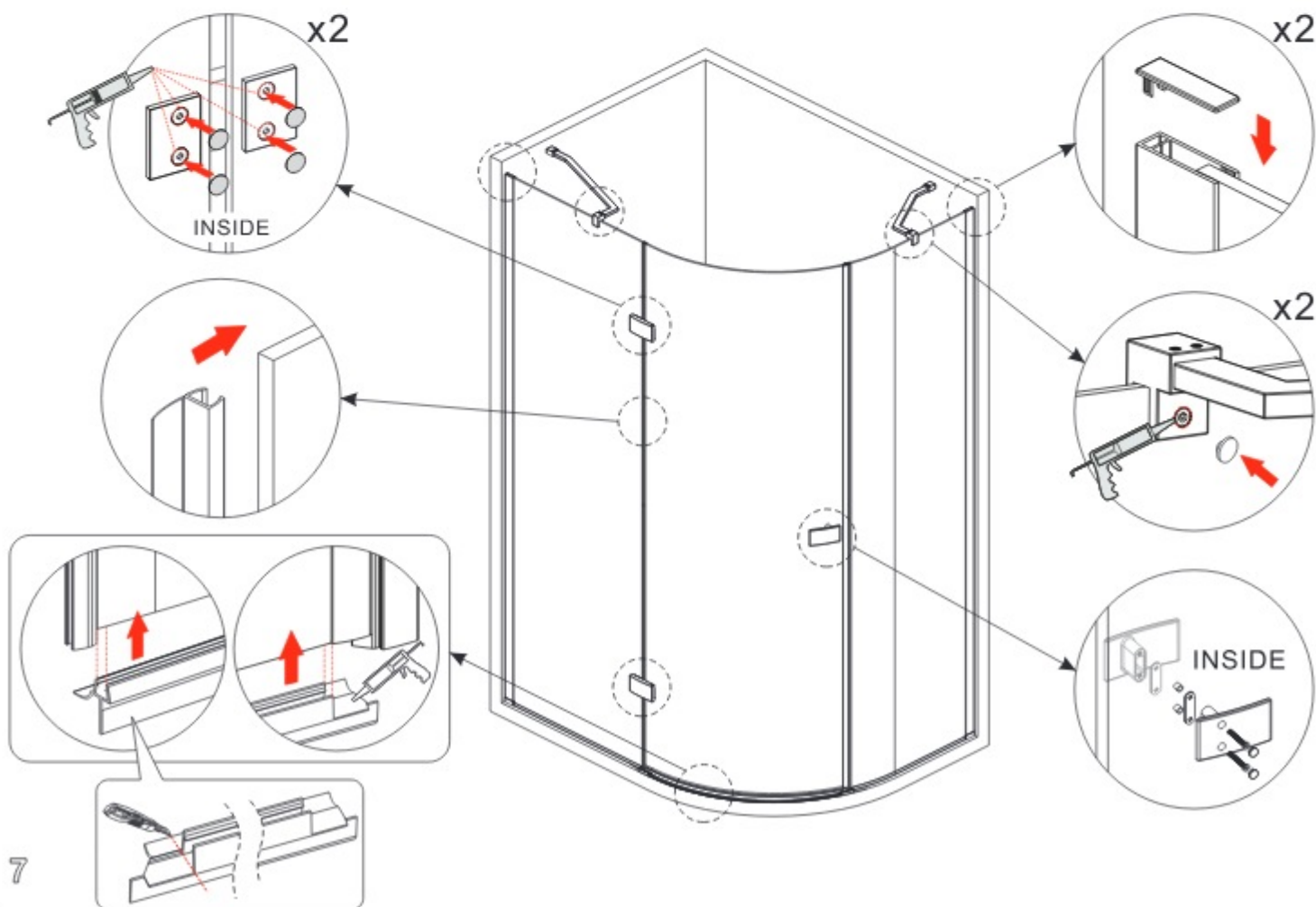
## STEP 8 FITTING THE SEALS



## STEP 9 FITTING THE SUPPORT BAR



## STEP 10 FITTING THE CAPS AND HANDLE



STEP 11 SILICONE TO THE EDGE

