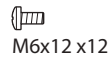


S6 x12



M6x12 x12



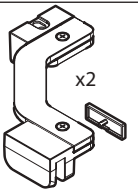
M5x10 x2



M4x5 x2



x2



x2



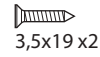
4x35 x12



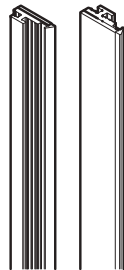
M3x6 x4



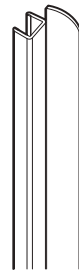
M5x8 x4



3,5x19 x2



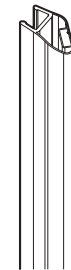
x2



x2



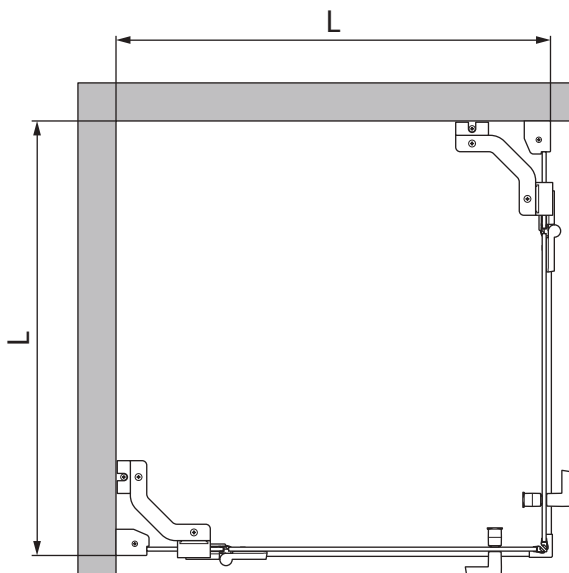
x2



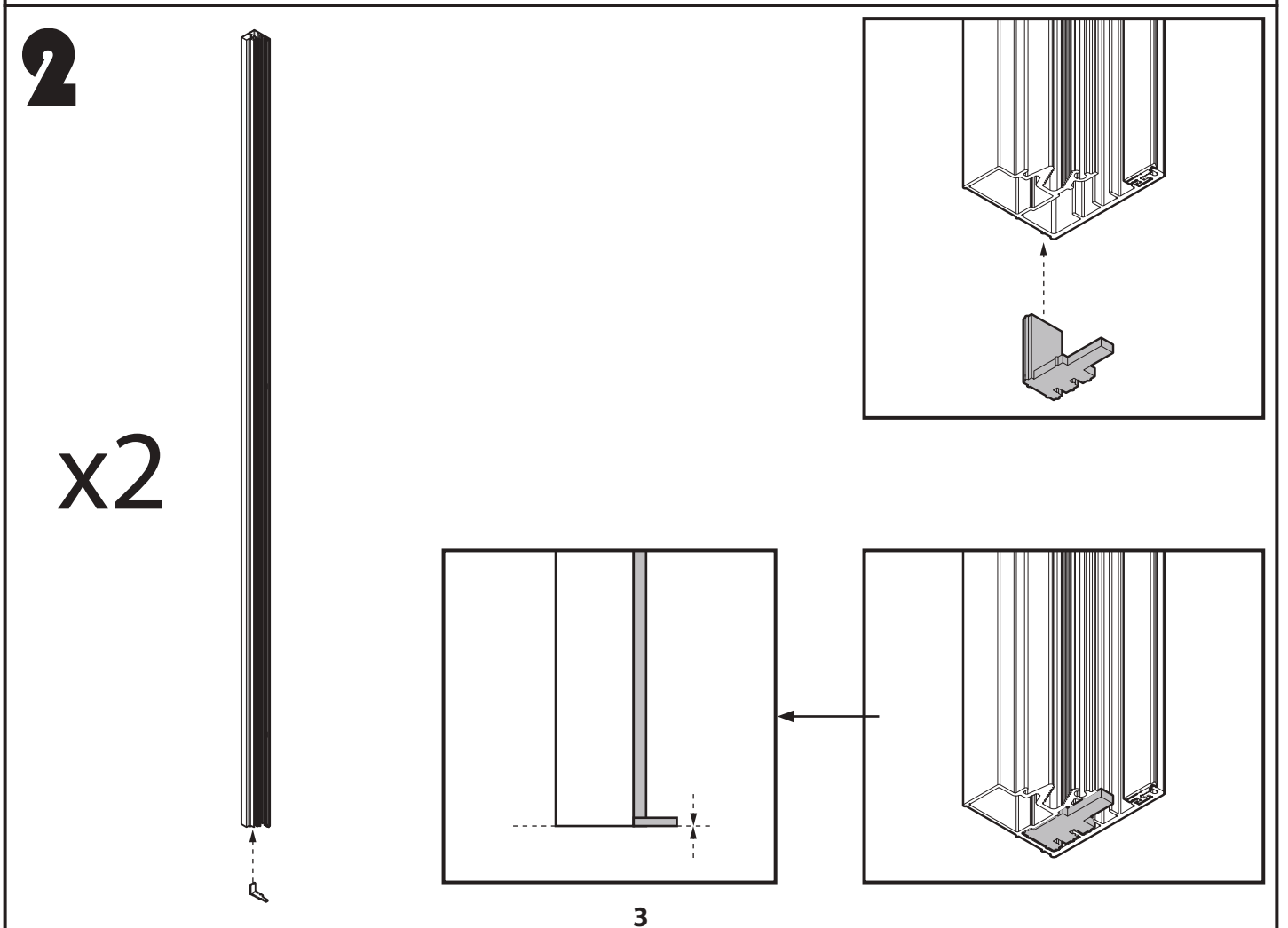
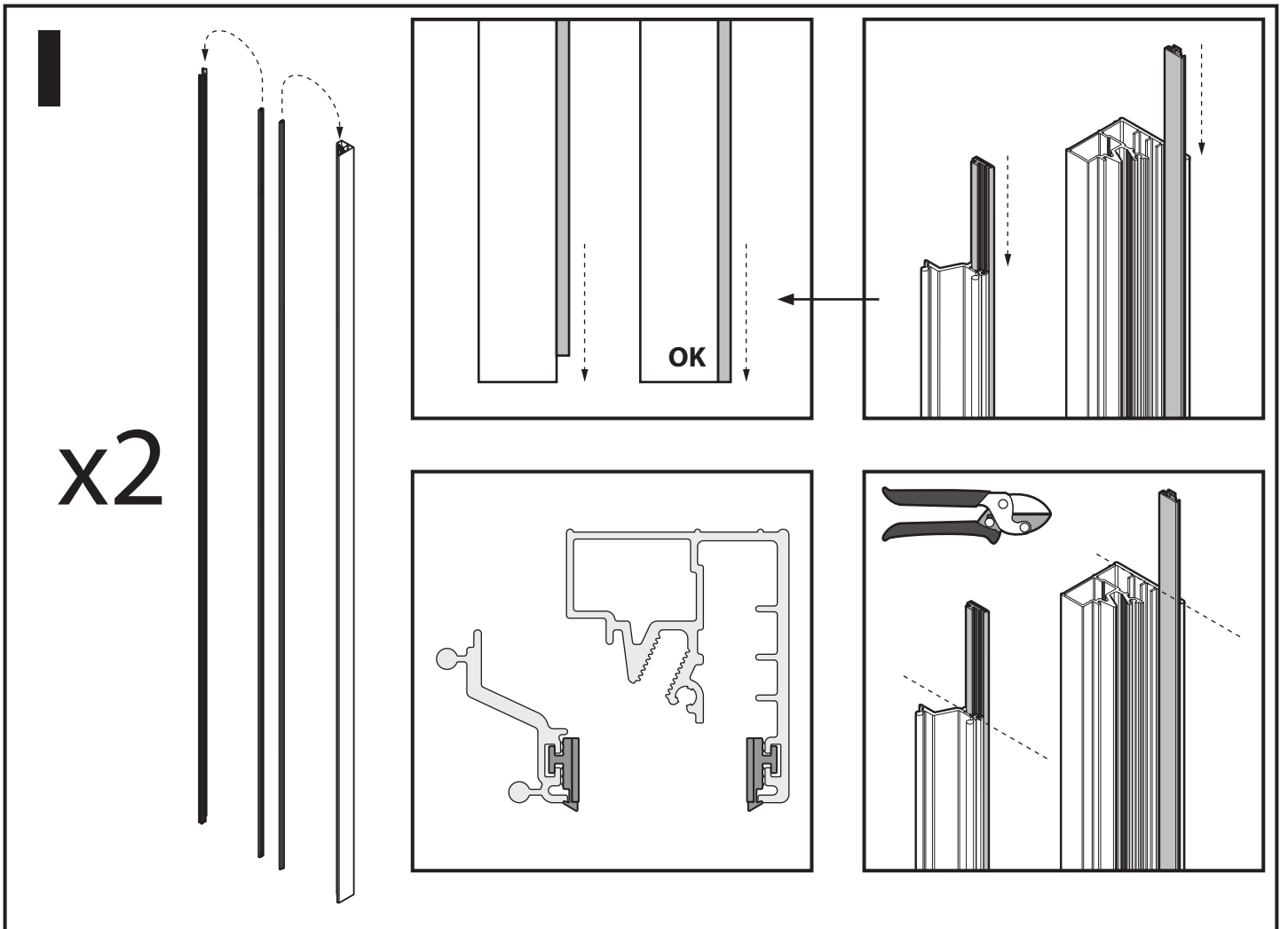
x2



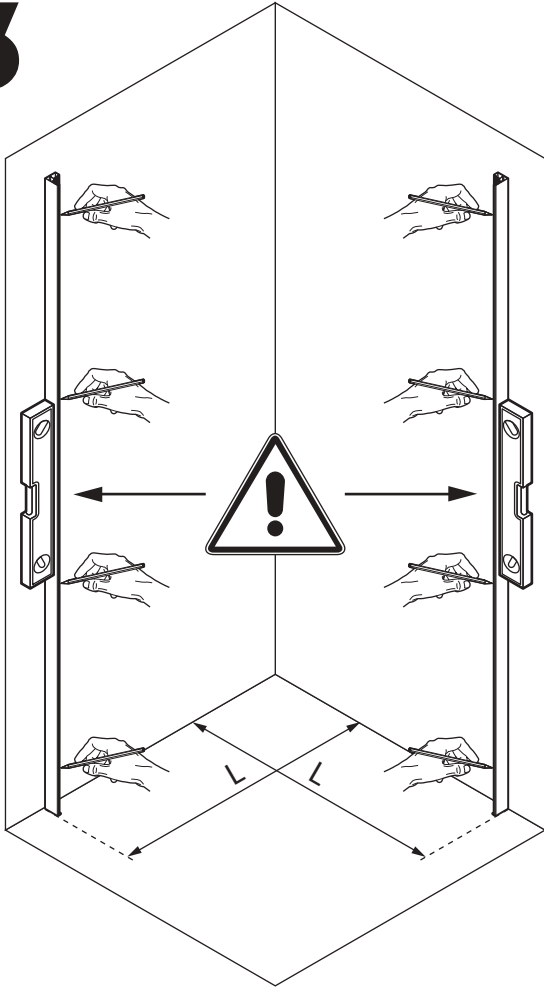
x2



A70	L=67-69 cm
A75	L=72-74 cm
A76	L=73-75 cm
A80	L=77-79 cm
A85	L=82-84 cm
A90	L=87-89 cm
A93	L=90-92 cm
A95	L=92-94 cm
A100	L=97-99 cm
A103	L=100-102 cm
A110	L=107-109 cm
A120	L=117-119 cm
A123	L=120-122 cm

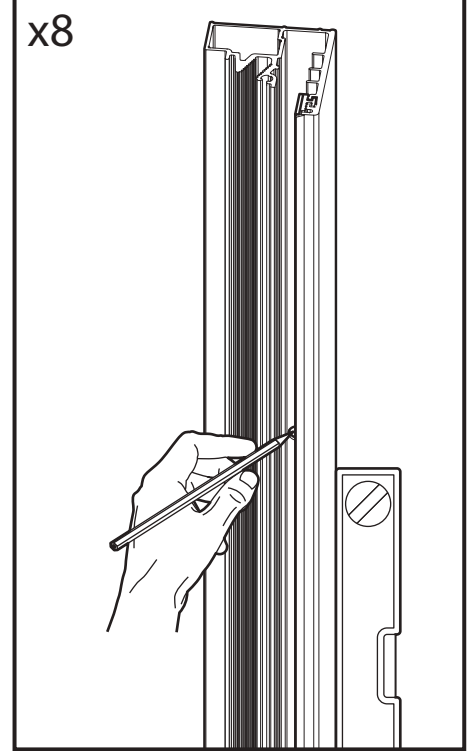


3

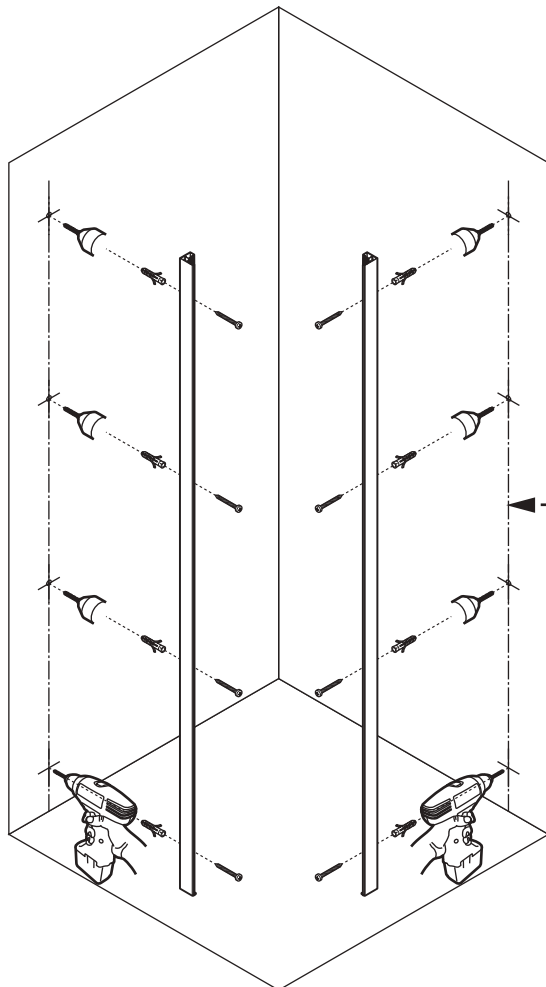


A70	L=67-69 cm
A75	L=72-74 cm
A76	L=73-75 cm
A80	L=77-79 cm
A85	L=82-84 cm
A90	L=87-89 cm
A93	L=90-92 cm
A95	L=92-94 cm
A100	L=97-99 cm
A103	L=100-102 cm
A110	L=107-109 cm
A120	L=117-119 cm
A123	L=120-122 cm

x8



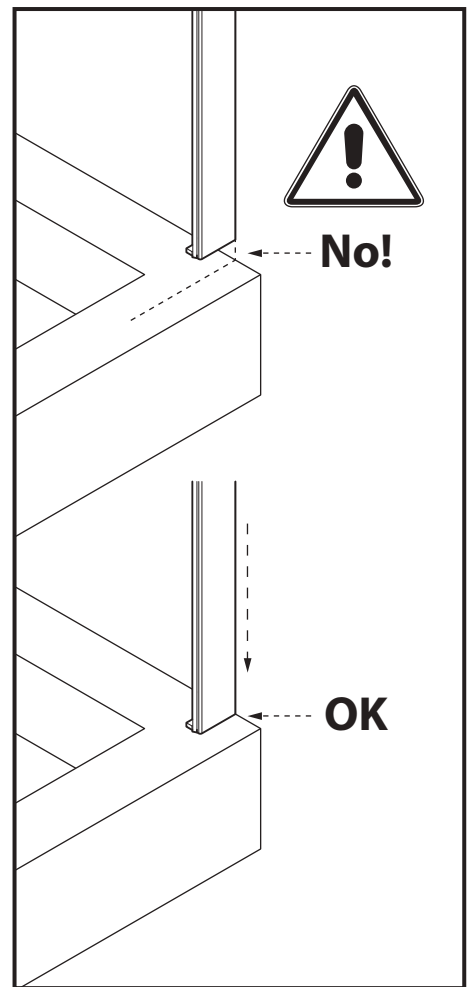
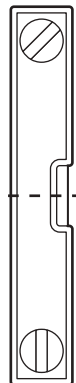
4



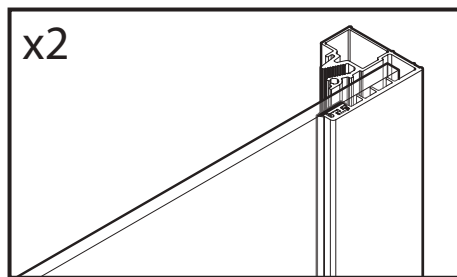
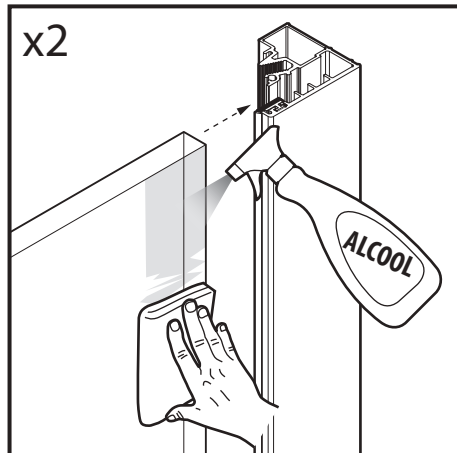
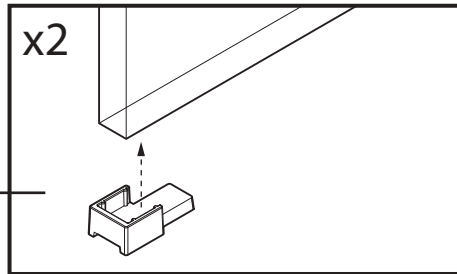
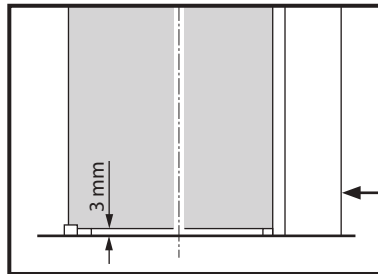
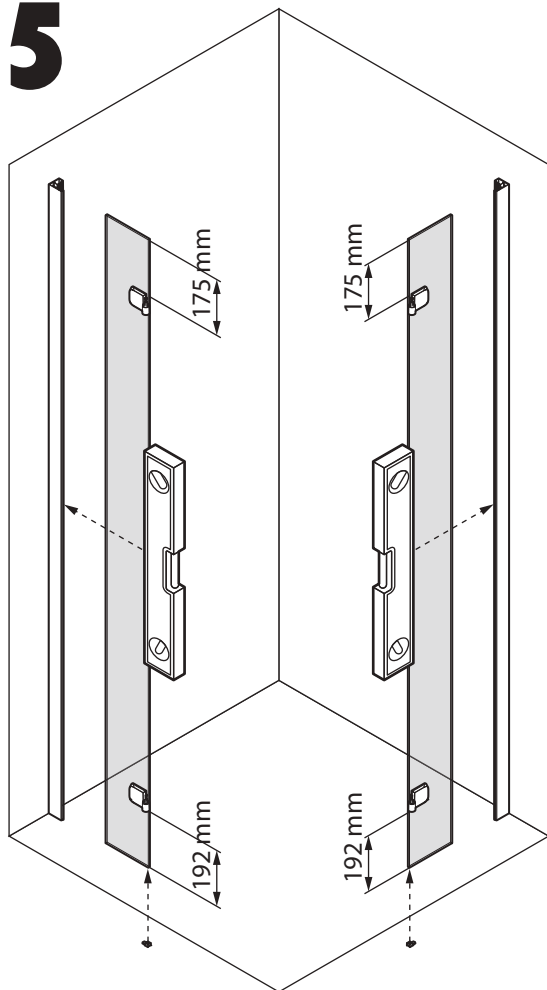
ø6 mm

4x35 x8

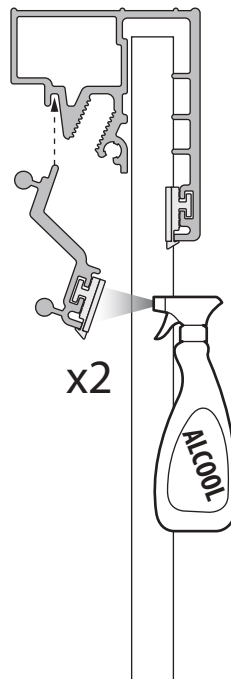
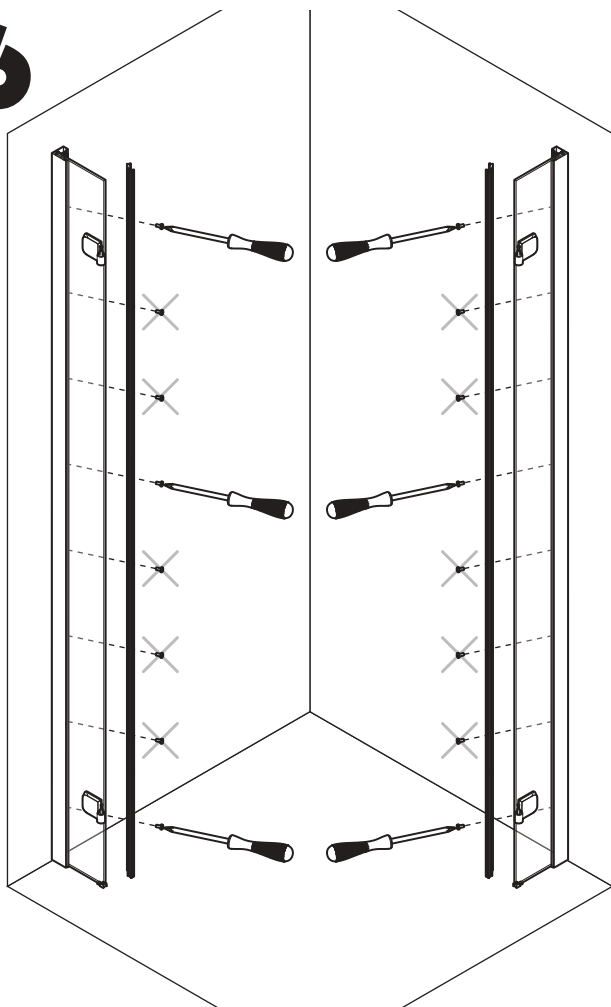
S6 x8



5



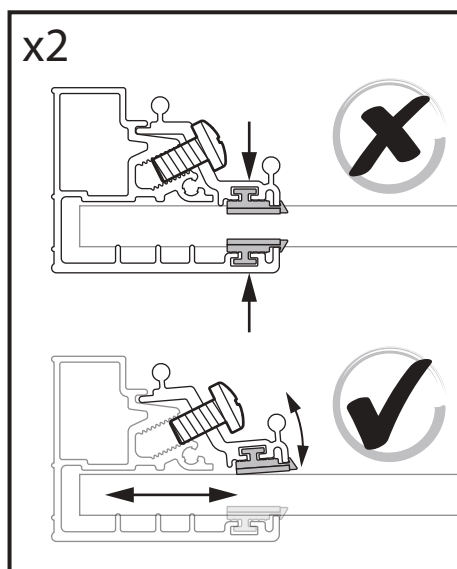
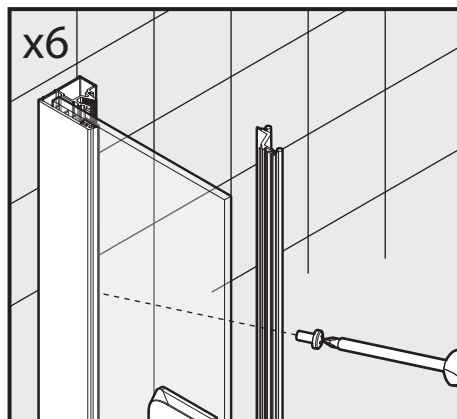
6



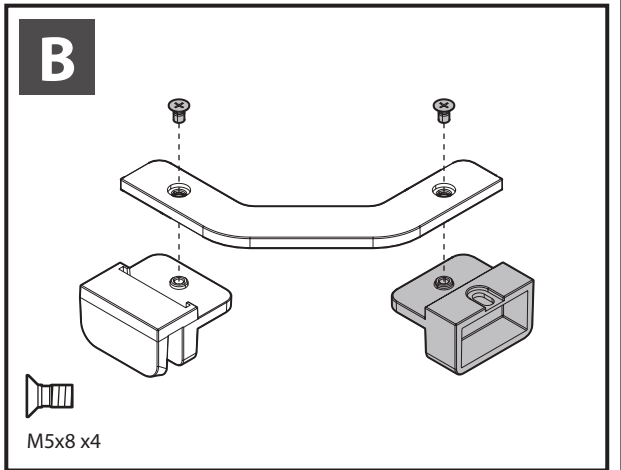
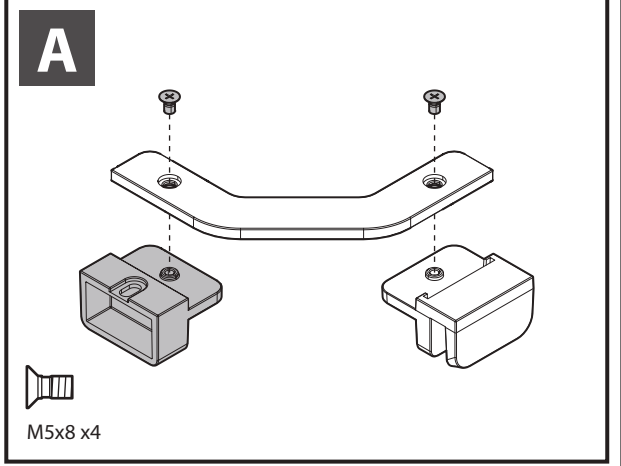
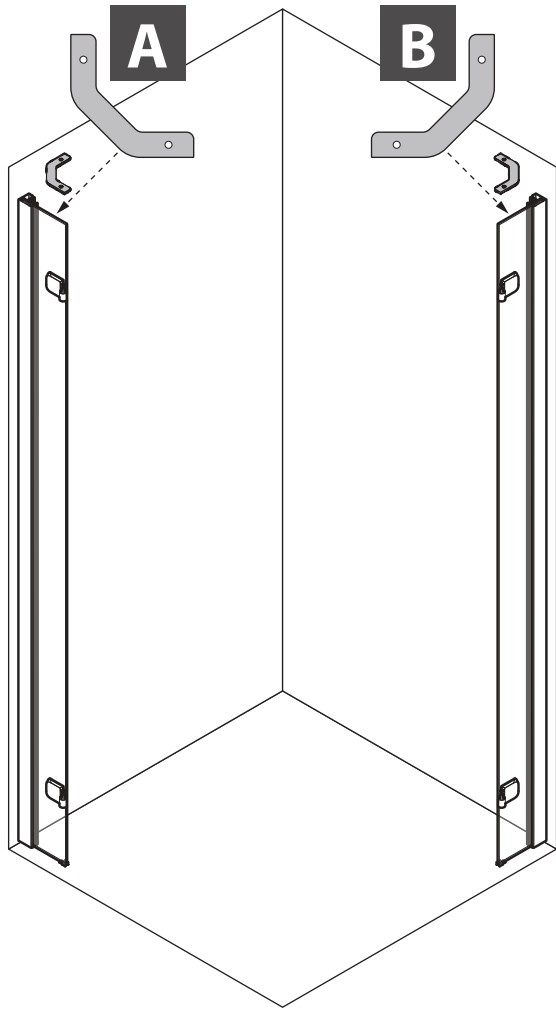
x2



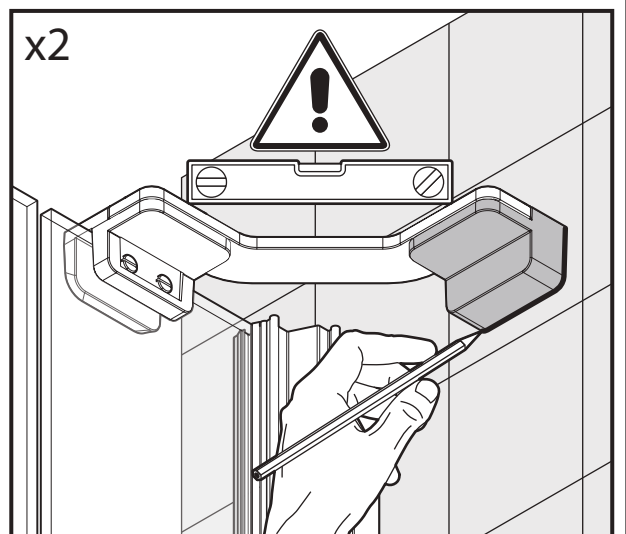
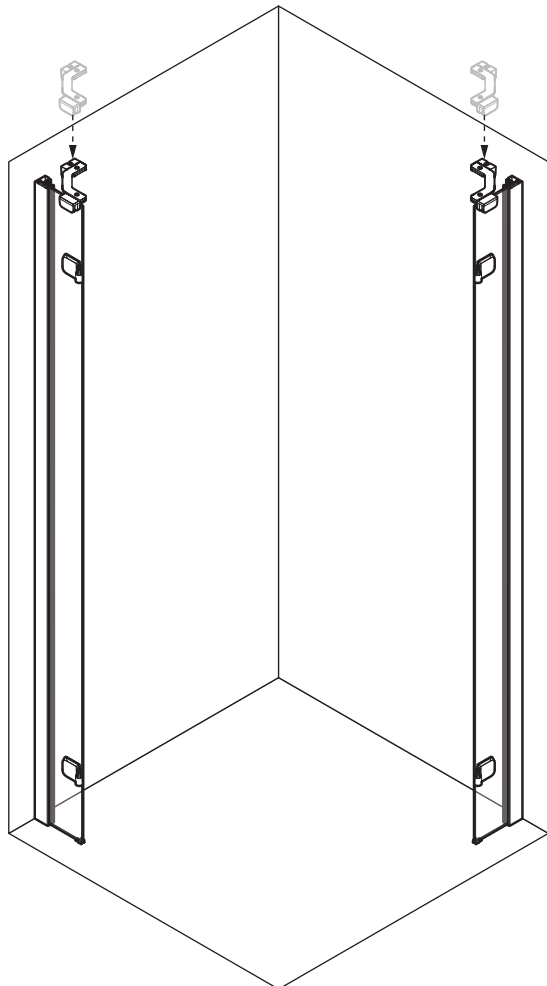
M6x12 x6



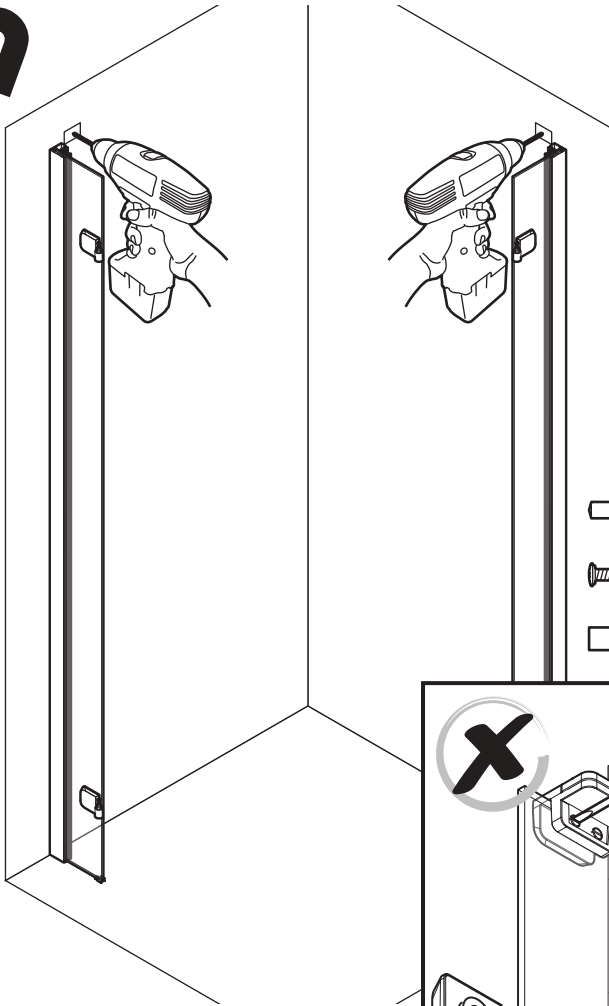
7



8



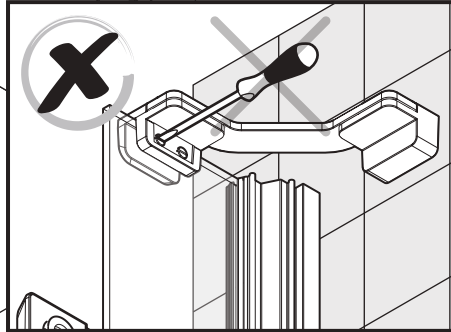
9



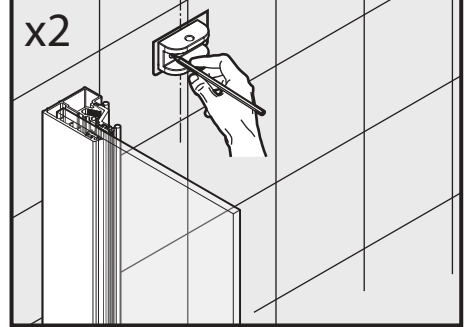
Ø6 mm

4x35 x4

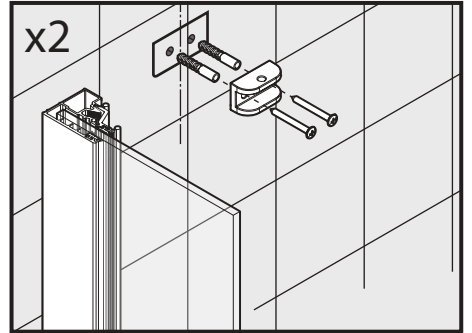
S6 x4



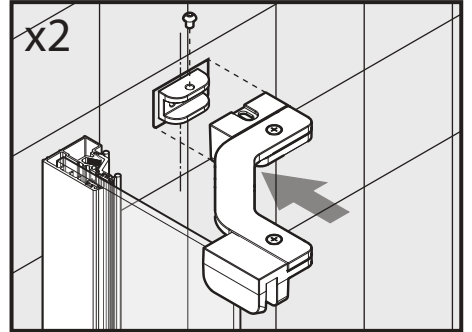
x2



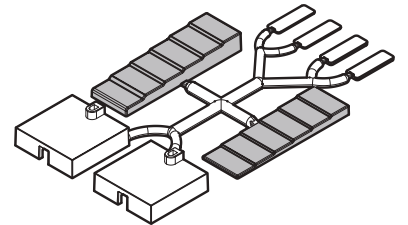
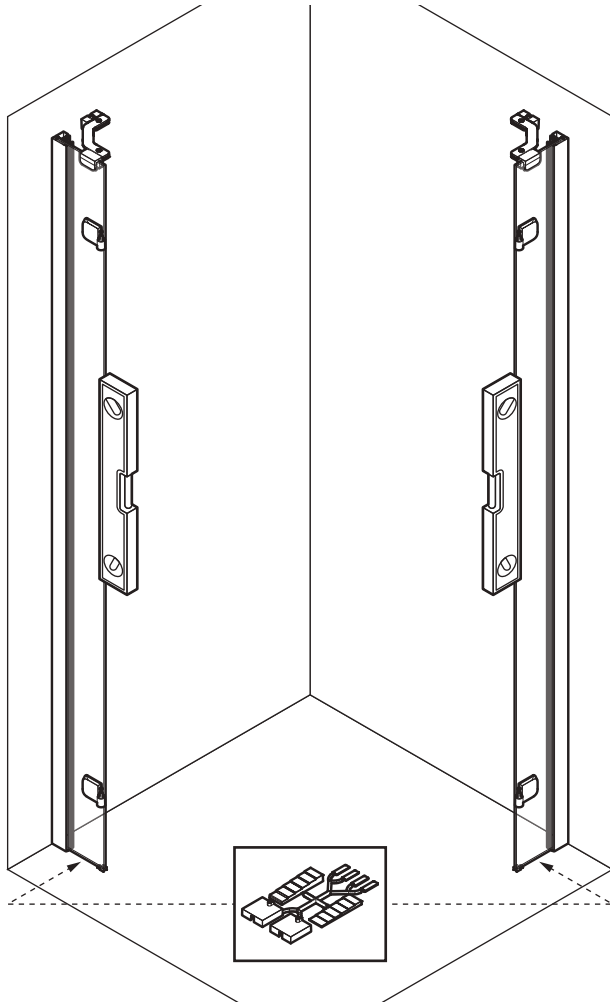
x2



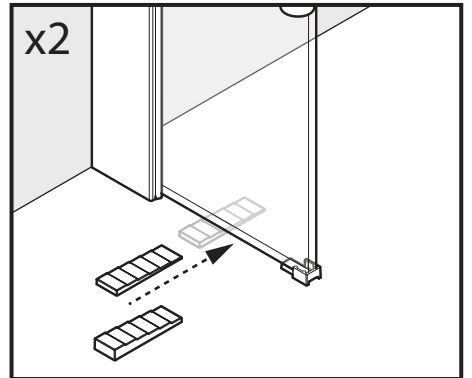
x2



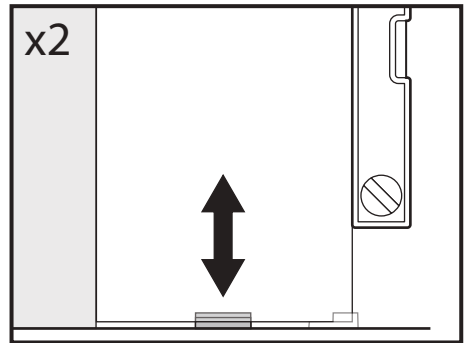
10

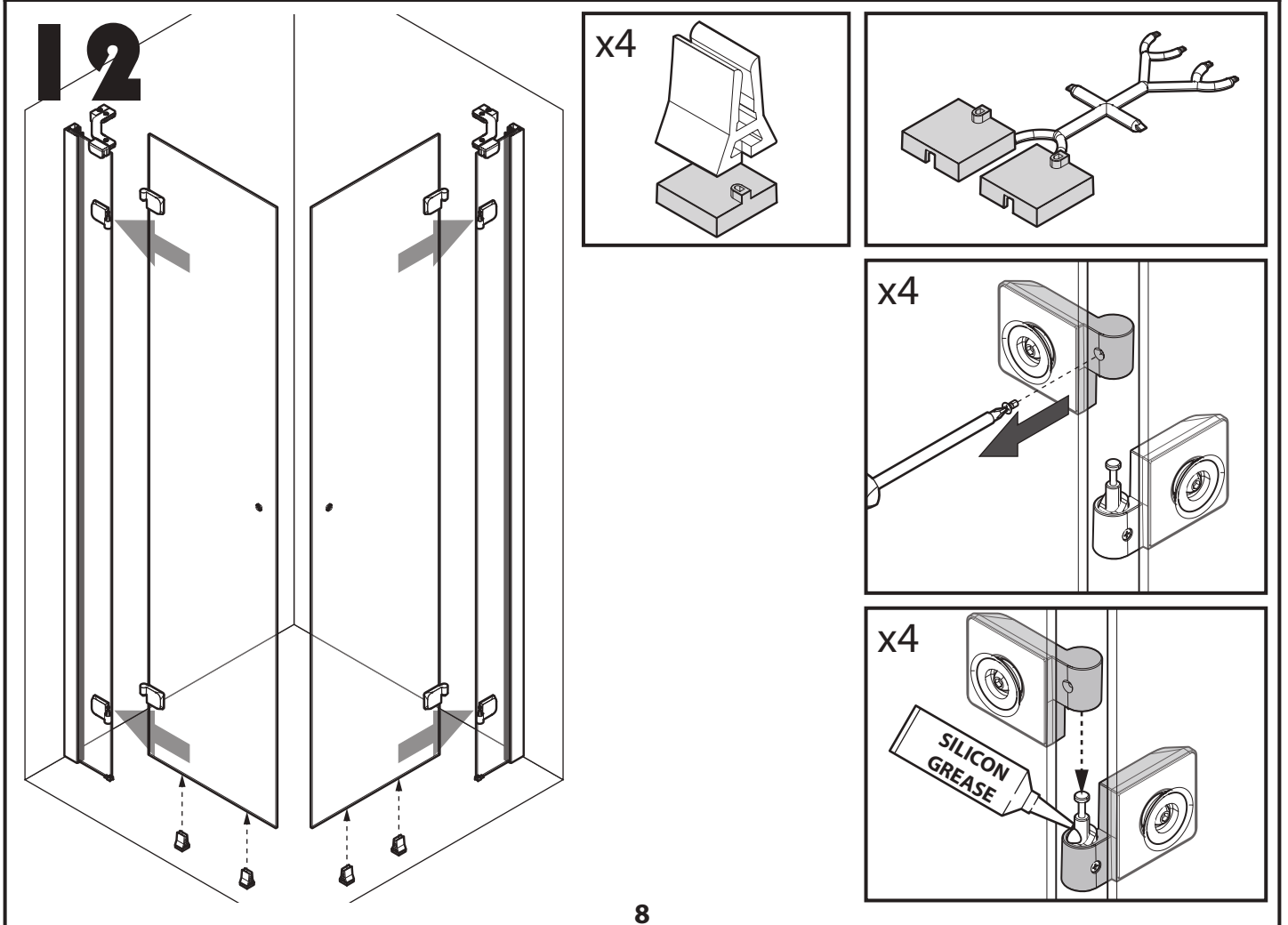
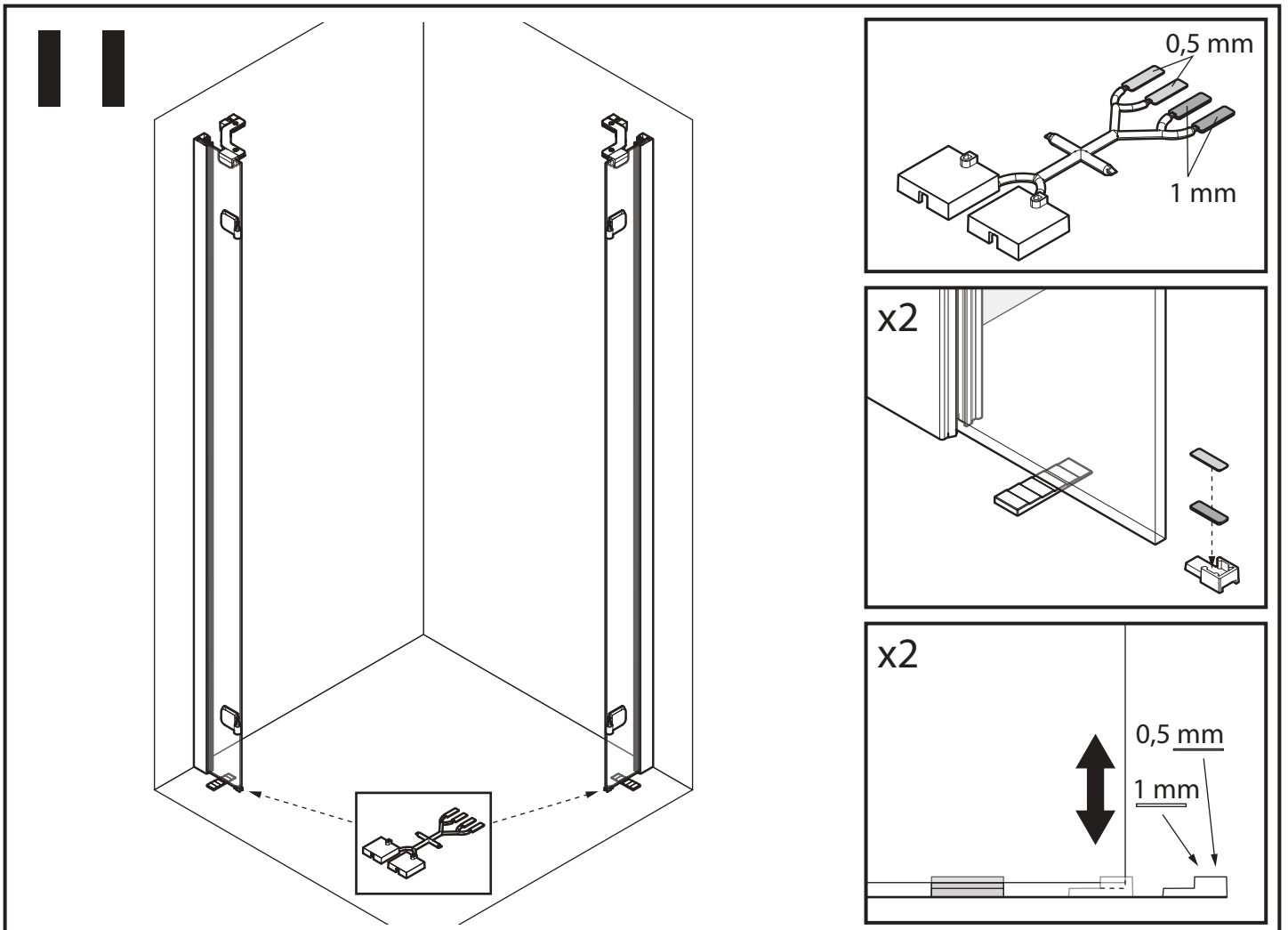


x2

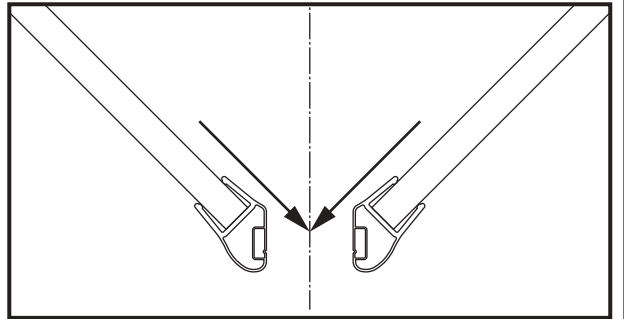
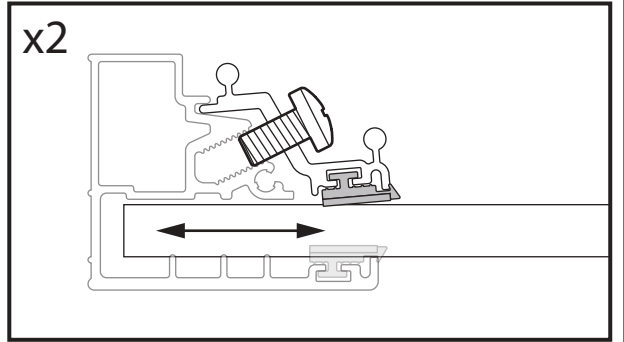
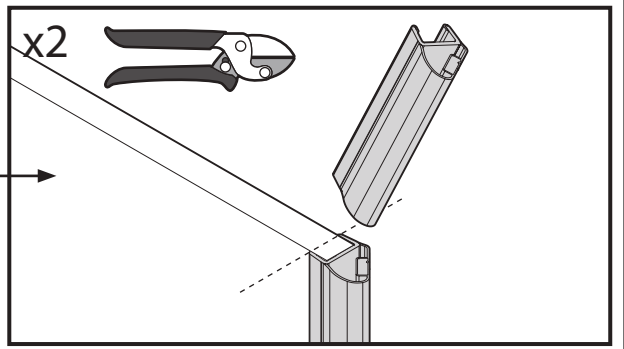
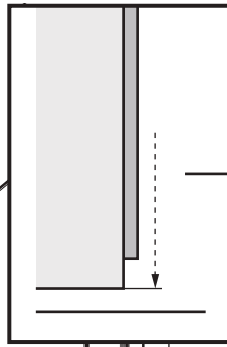
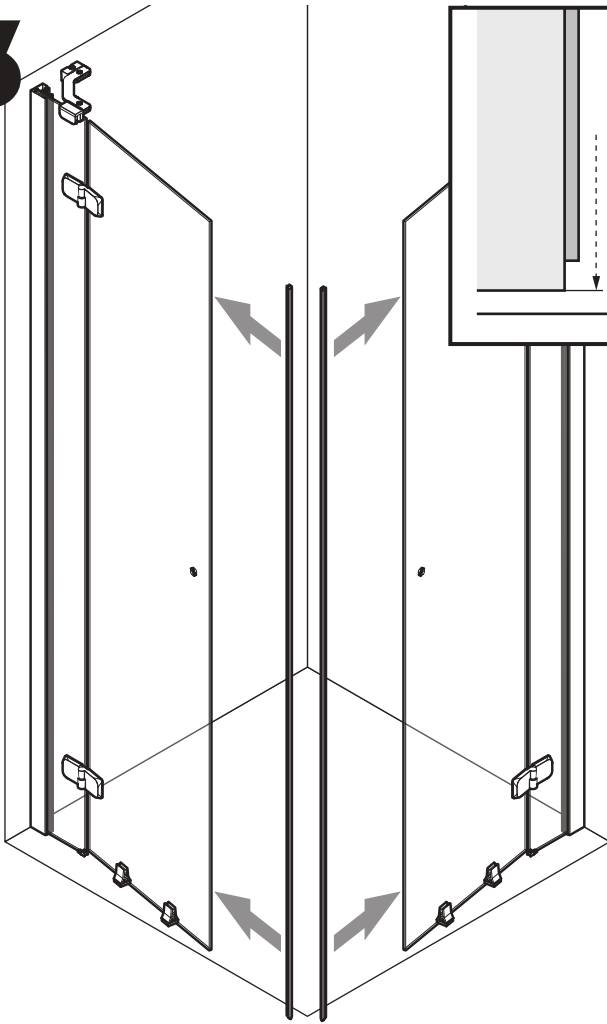


x2

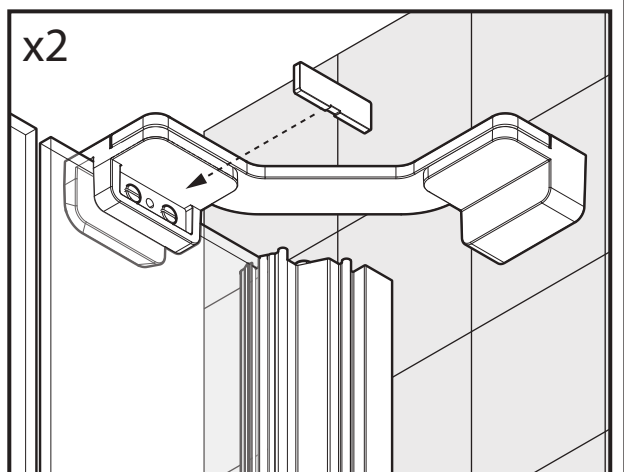
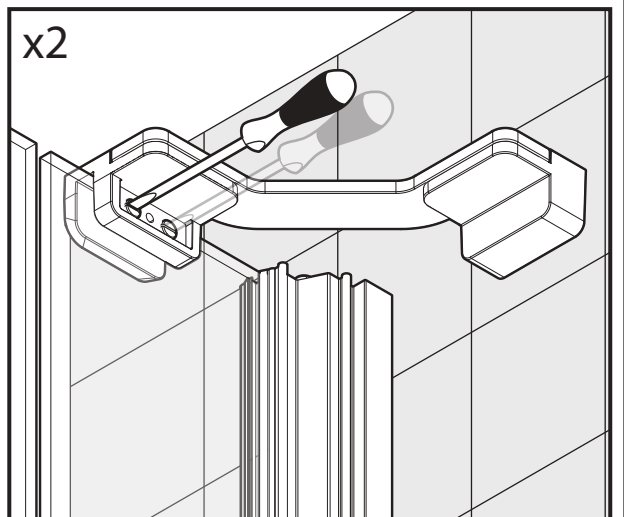
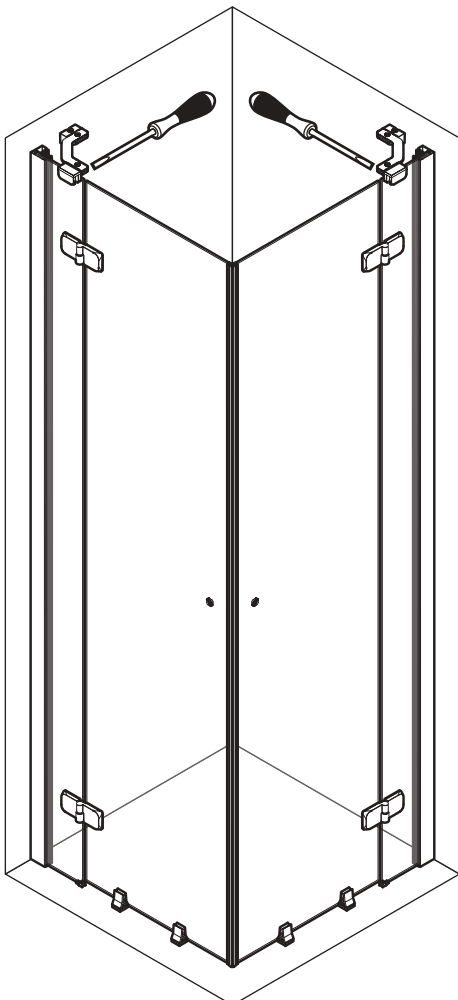




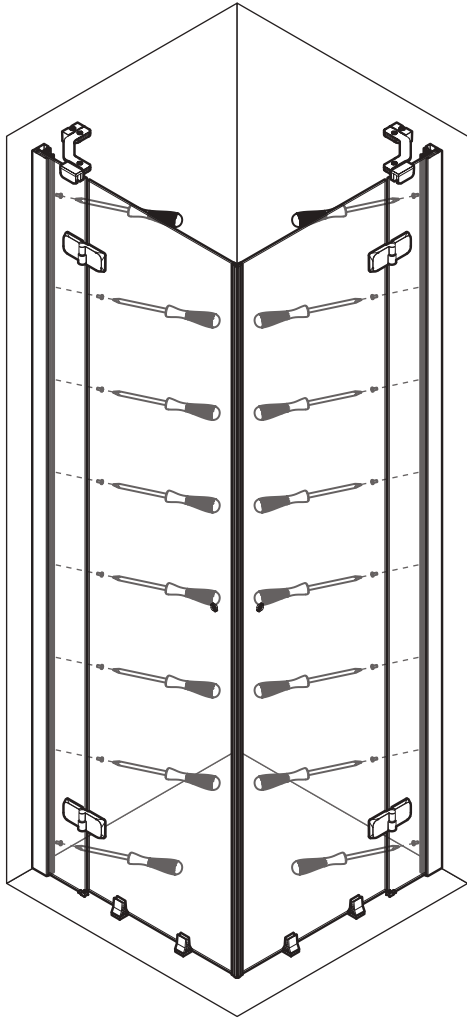
13



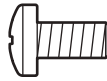
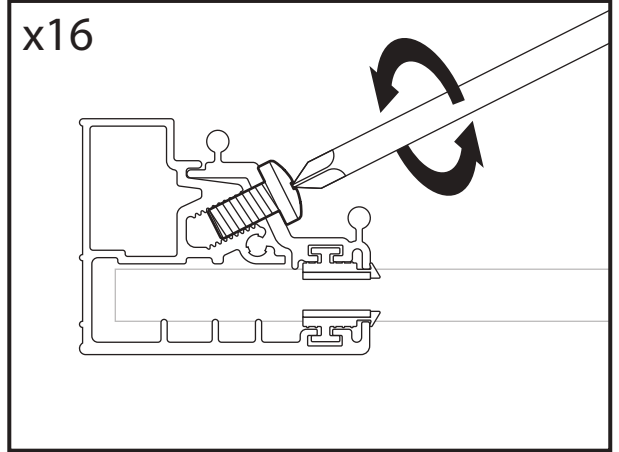
14



15

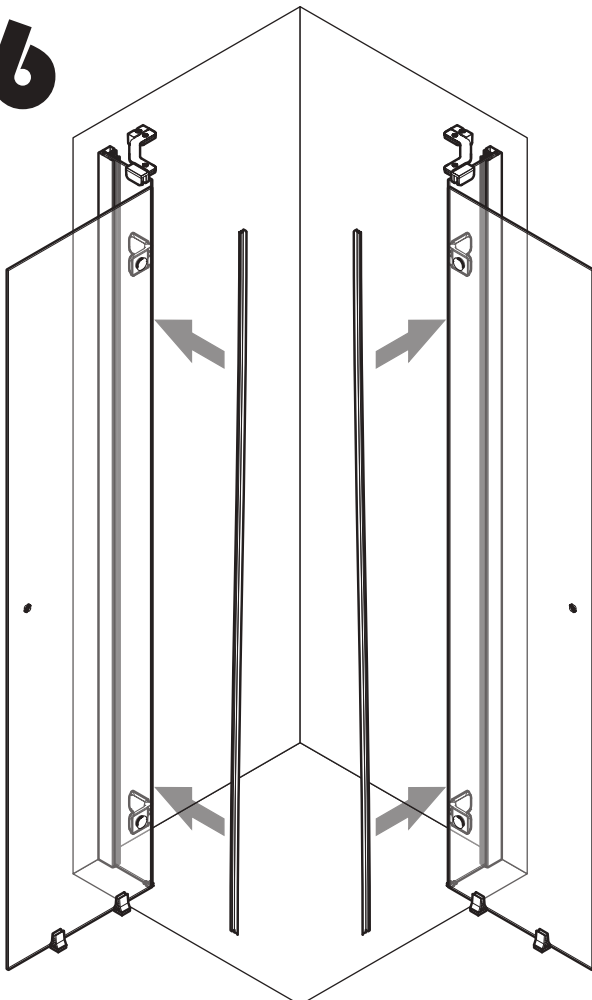


x16

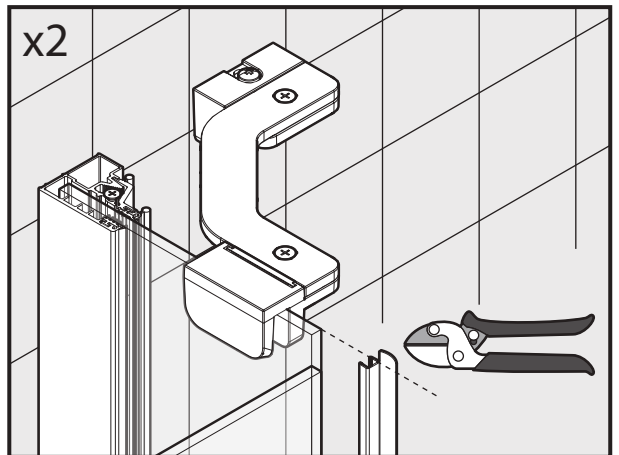


M6x12 x16

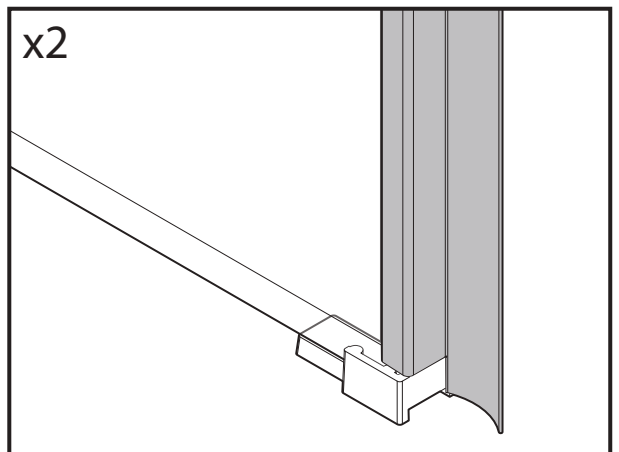
16



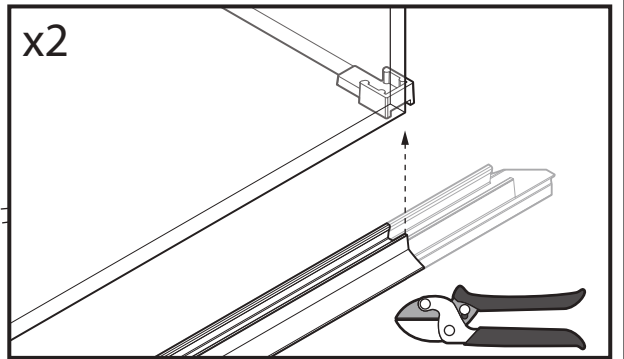
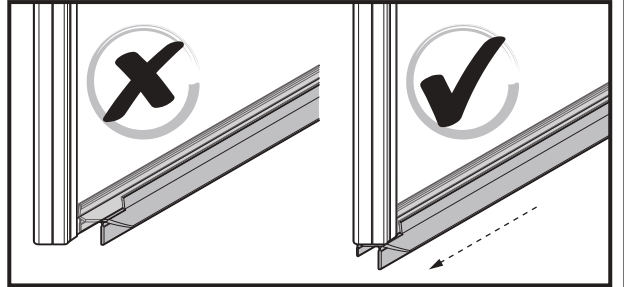
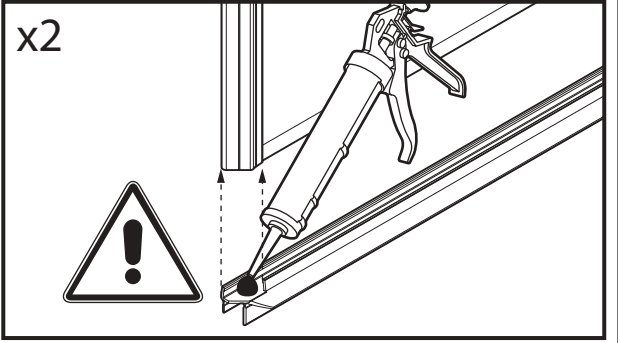
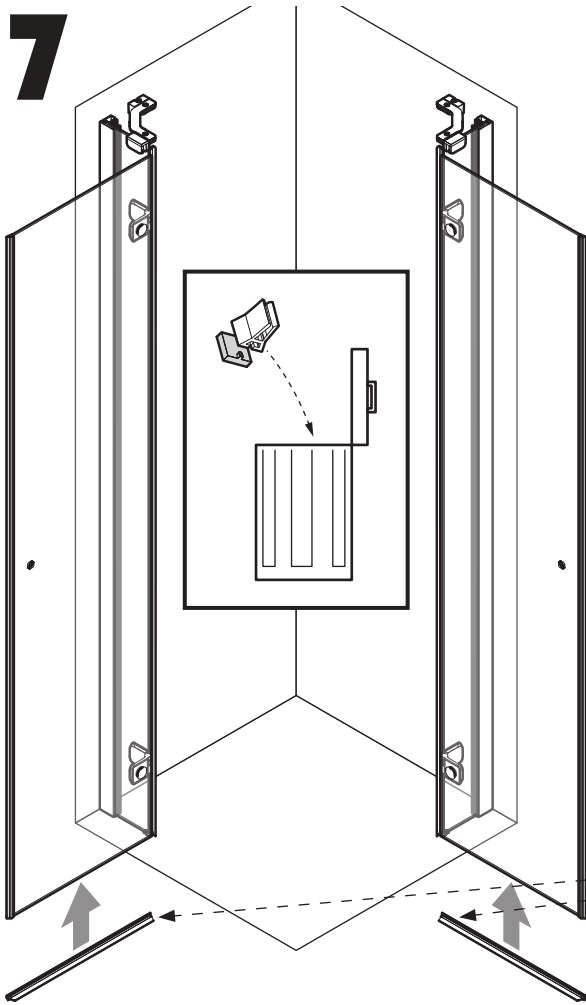
x2



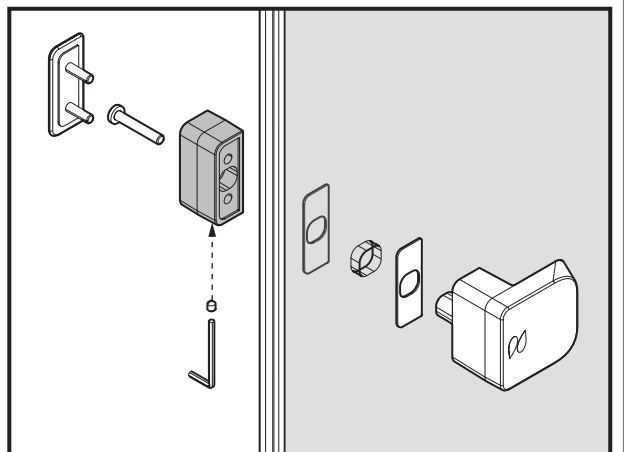
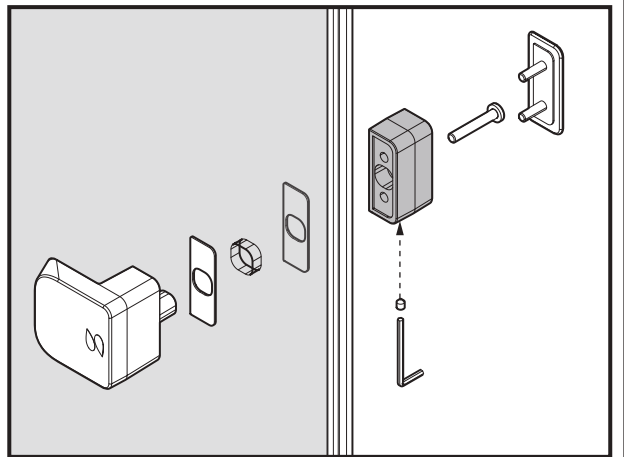
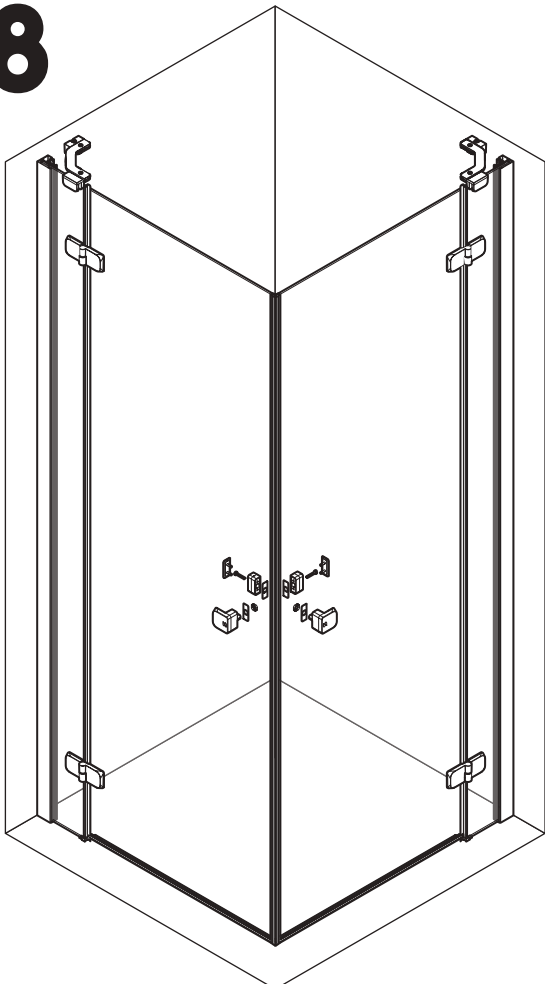
x2



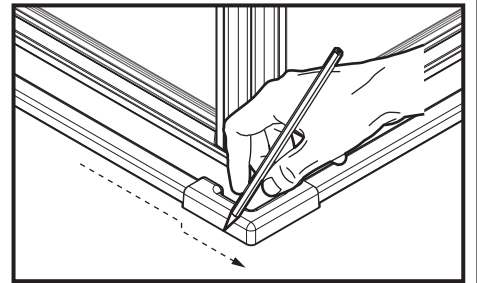
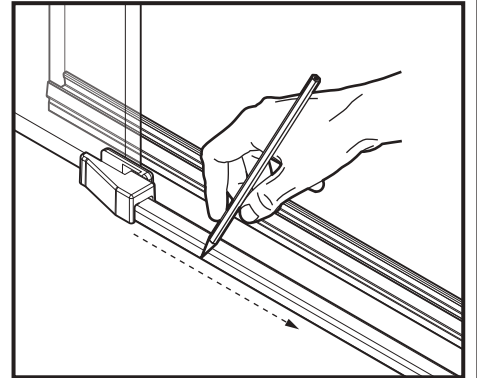
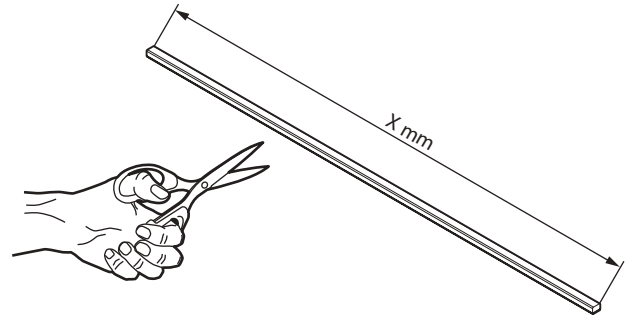
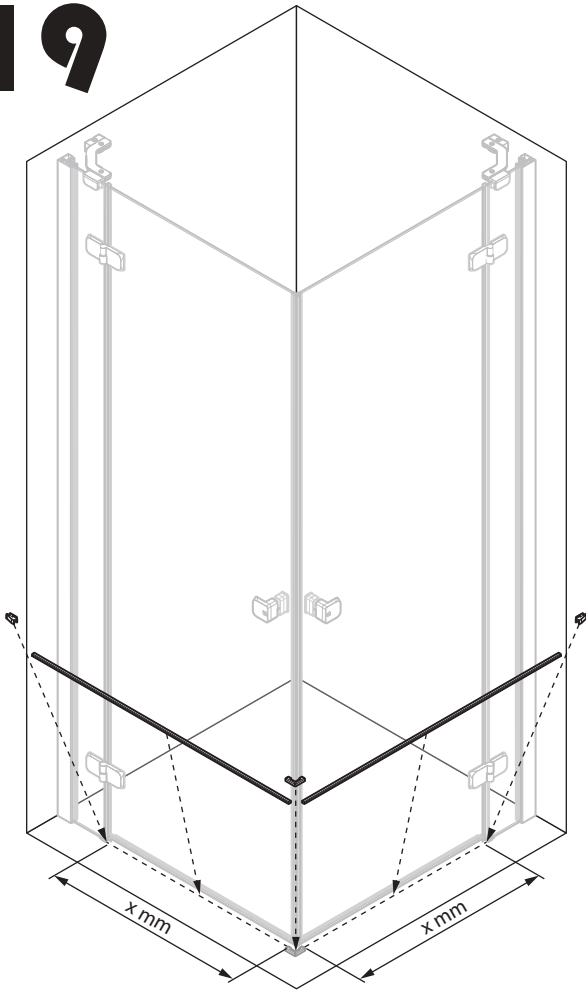
17



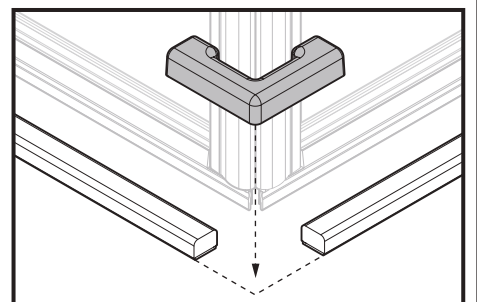
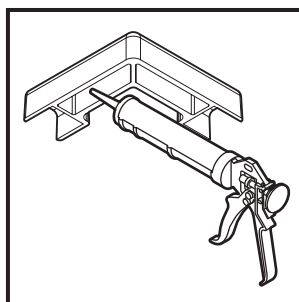
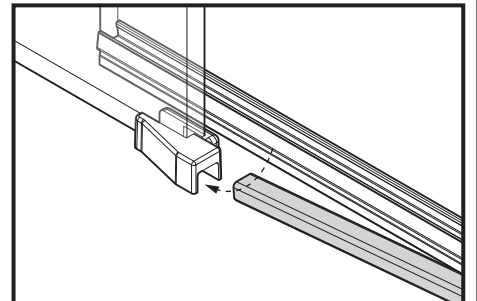
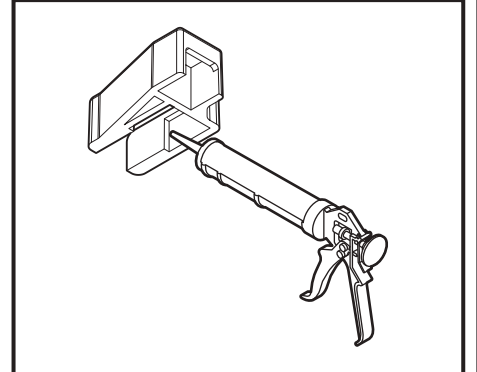
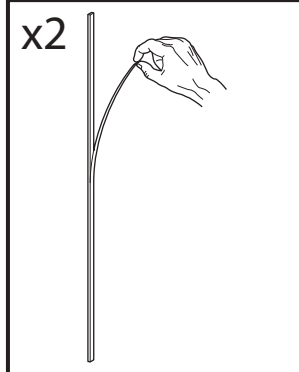
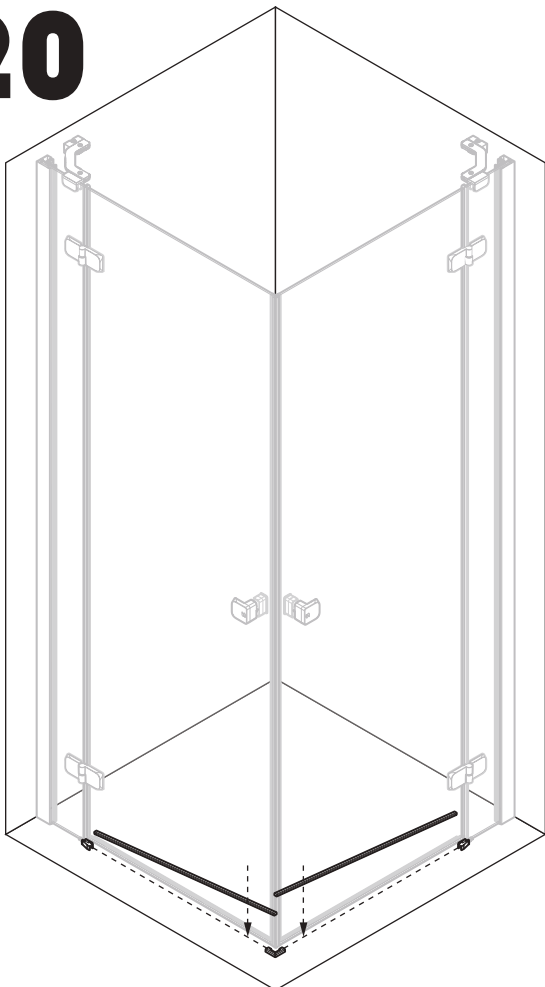
18



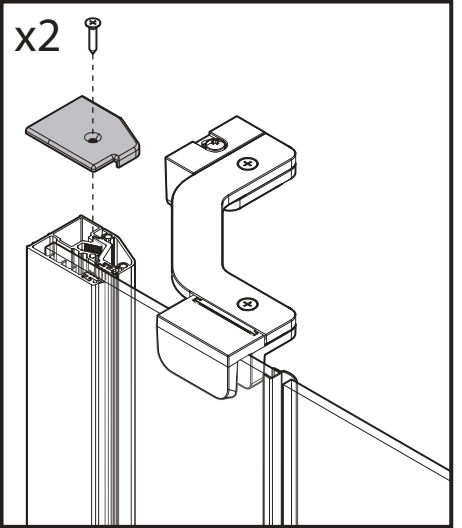
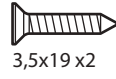
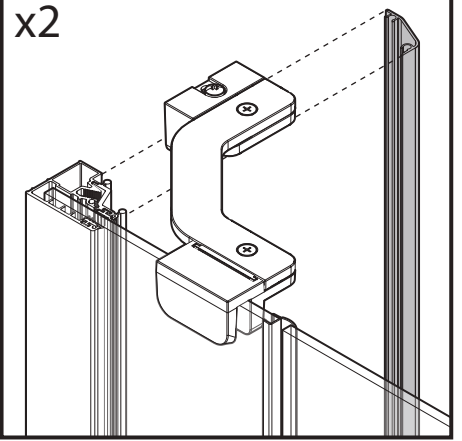
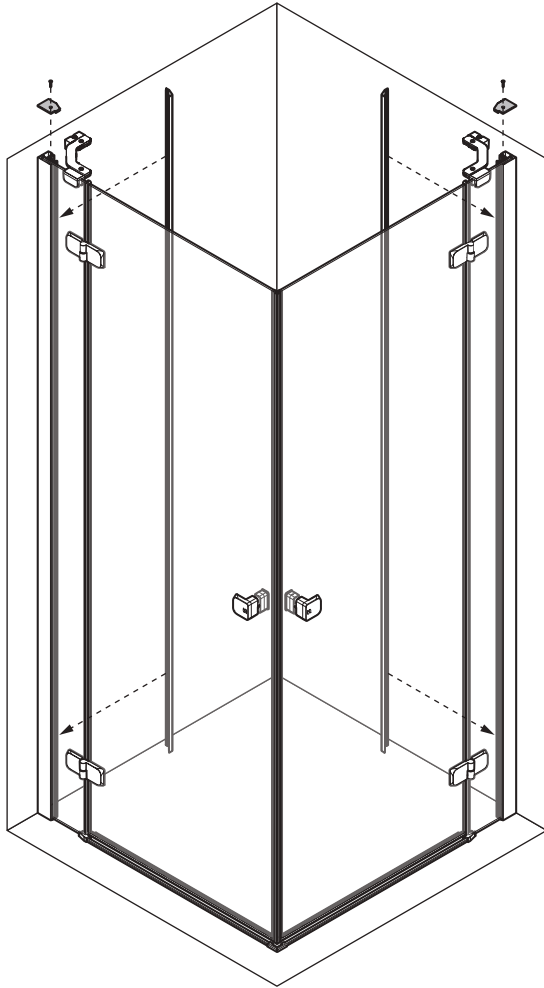
19



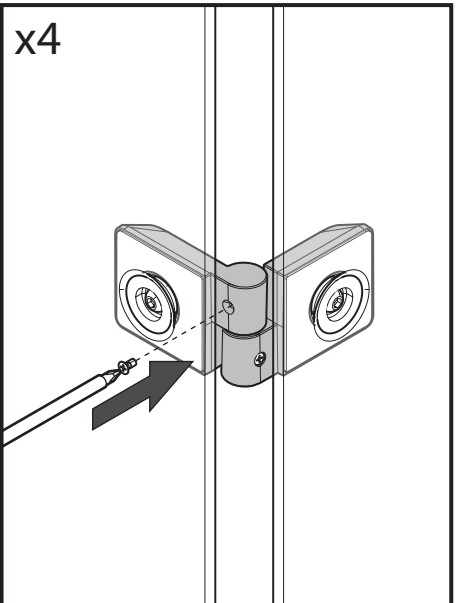
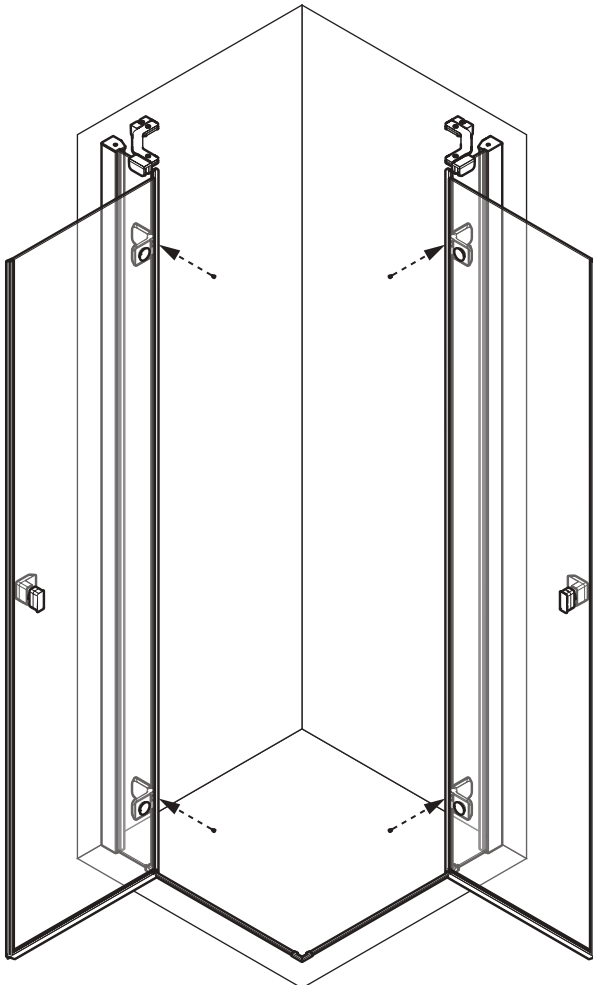
20



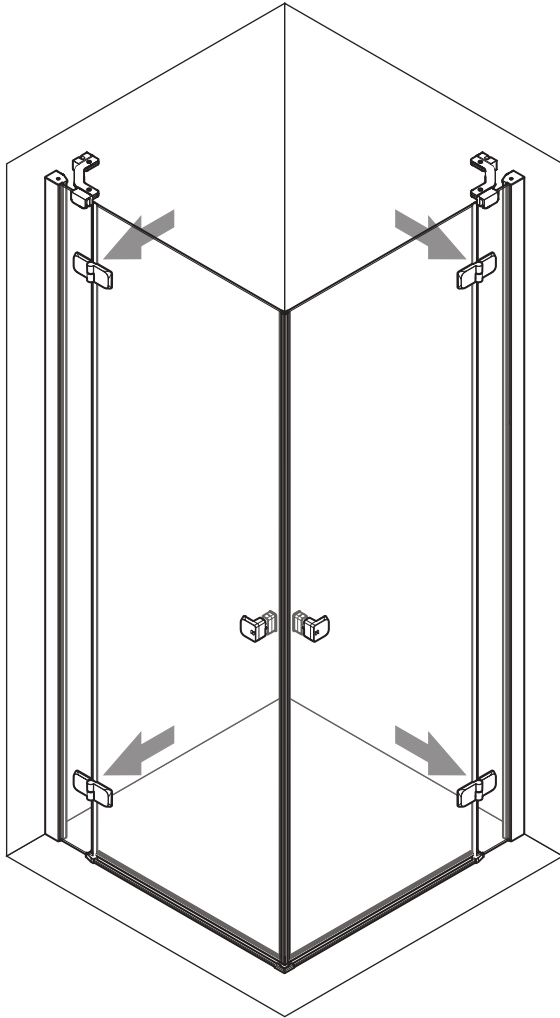
21



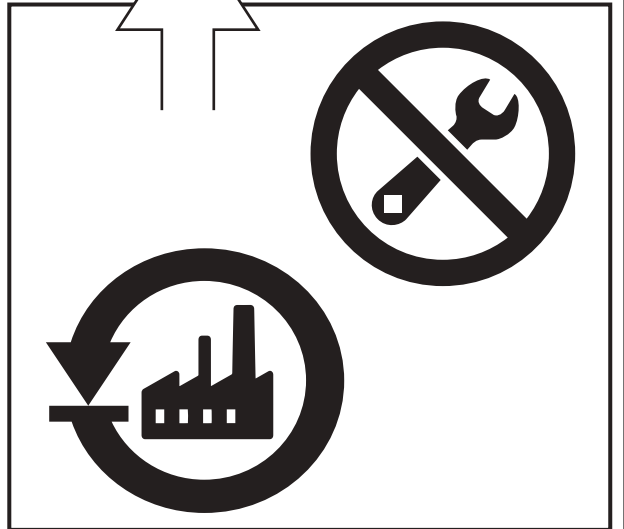
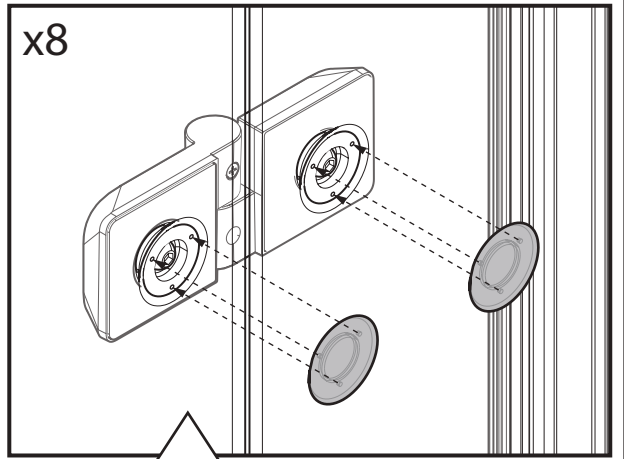
22



23



x8



24

