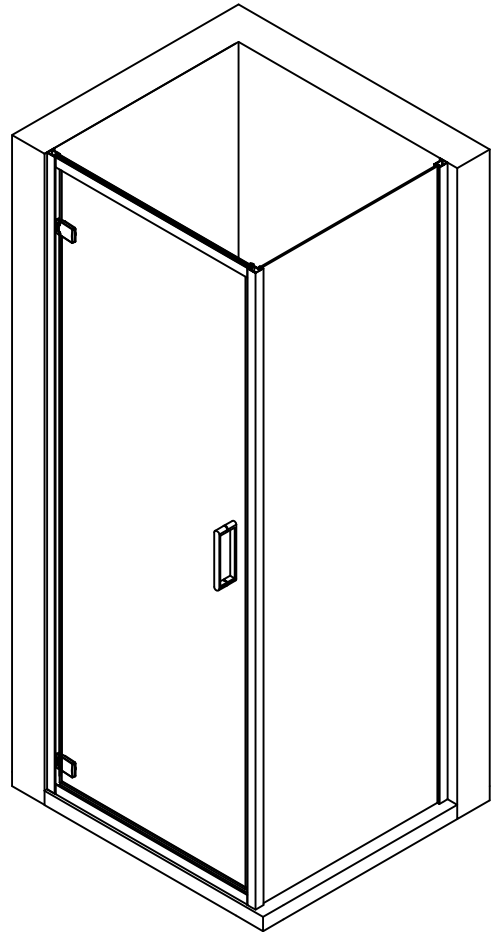
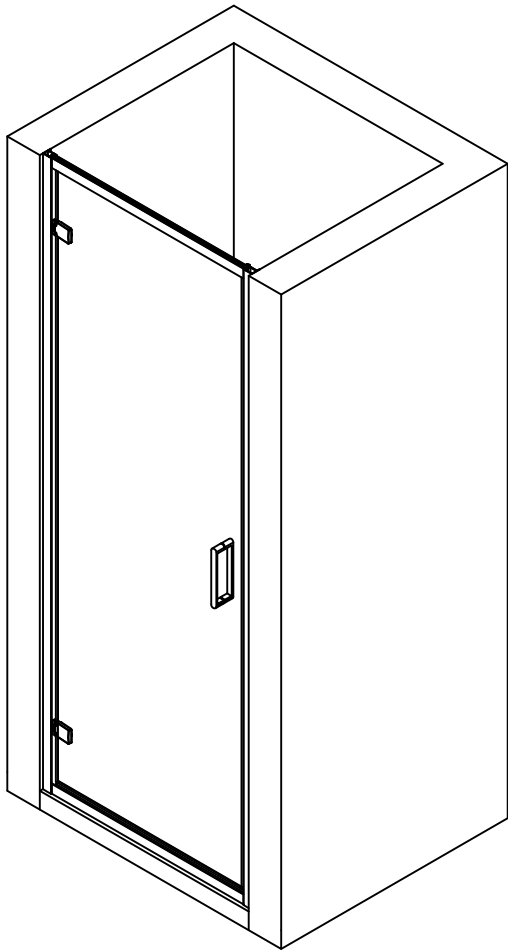


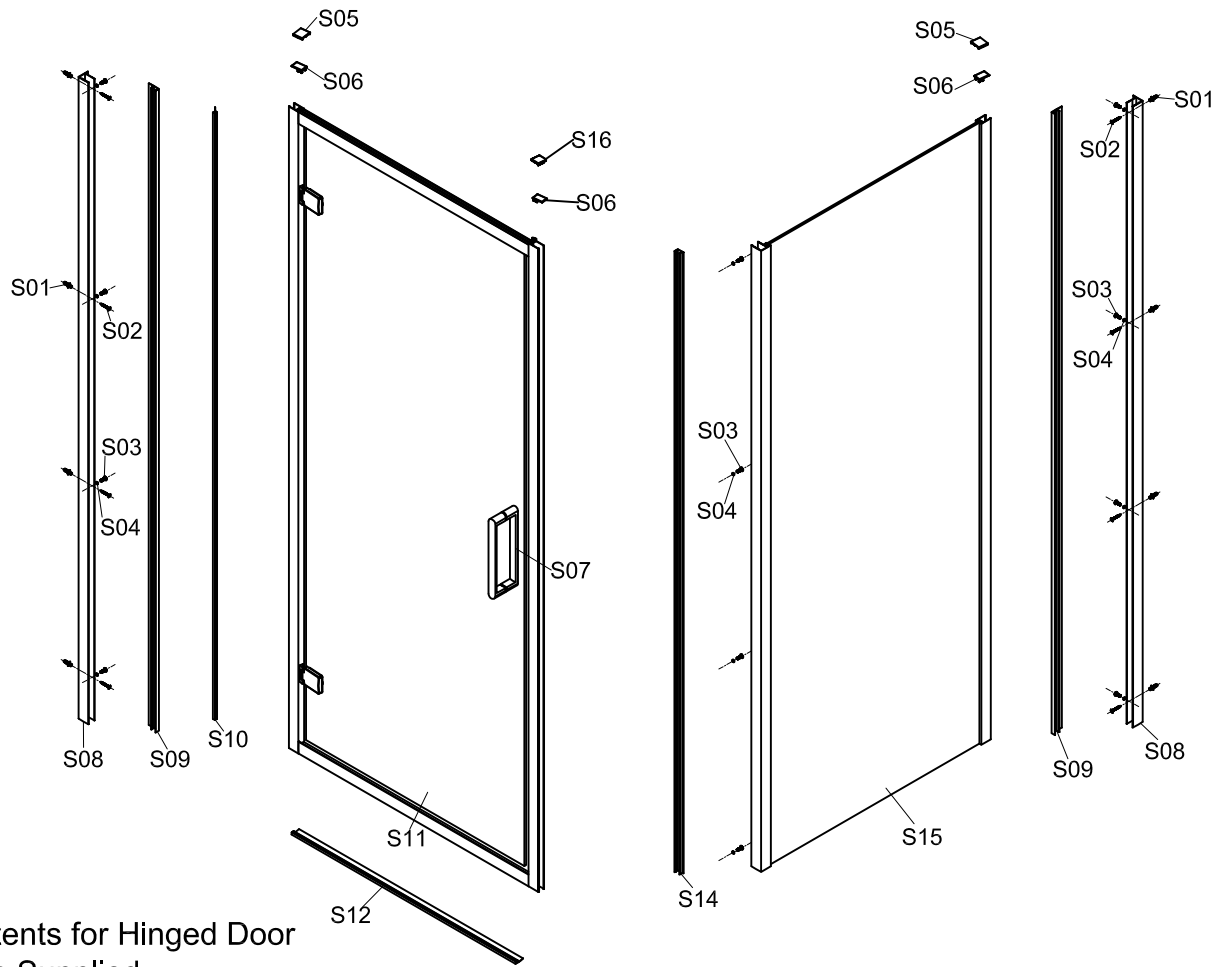
Assembly Instructions

Hinged Door Enclosure



Assembly Instructions

Hinged Door Enclosure



Contents for Hinged Door Parts Supplied

Ref	Description	Illustration	Qty
S04	Screw washer		8
S05	Wall profile cover		2
S06	Vertical profile cover		2
S07	Handle		1
S08	Wall profile		2

Ref	Description	Illustration	Qty
S09	Cover profile		2
S10	Vertical seal	L=1915mm	1
S11	Hinged door		1
S12	Bottom seal	L1=620mm L2=660mm L3=760mm	1

Fittings Supplied



Ref	Description	Illustration	Qty
S01	Wall plug		8
S02	Screw ST4x30	30	8
S03	Screw ST4x10	10	8




Ref	Description	Illustration	Qty
	3.0MM Drill Bit	Ø3.0	1
	2.5mm allen key		1
	4 mm allen key		1

Assembly Instructions

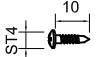
Hinged Door Enclosure

Contents for Side Panel(Sold Separately) Parts Supplied

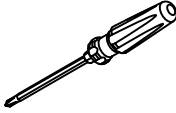

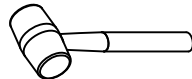



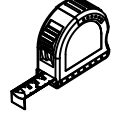


Ref	Description	Illustration	Qty
S04	Screw washer		4
S06	Vertical profile cover		1

Ref	Description	Illustration	Qty
S14	Corner cover profile		1
S15	Side panel		1
S16	Corner profile cover		2

Fittings Supplied

Ref	Description	Illustration	Qty
S03	Screw ST4x10		4

Tools Required(not supplied)

Magnetic Crosshead Screwdriver		Silicone Sealant	
Rubber Mallet		Knife	
Spirit Level		Pencil	
Tape Measure		6mm Drill Bit (suitable for wall type)	Ø6 
Power Drill (with hammer action)			

Assembly Instructions

Hinged Door Enclosure

Before You Start

·WARNING : Please read these instructions through carefully before you start the installation. Incorrect product installation may result in serious product failure in use.

Always follow the instructions and retain them for future use.

·The enclosure is designed to allow for 20mm adjustment when fitted to “out of true” walls.

The thickness of the tiles used will affect the overall position of the enclosure on the tray.

·Check the pack and ensure that you have all of the parts listed . If not, contact your vendor.

·When you are ready to start, make sure you have the right tools to hand, plenty of space and a clean dry area for assembly.

·Two people are required for assembly. Please note that although these instructions are comprehensive, it is always recommended that a technically competent installer should undertake installation.

·Ensure that the enclosure is fitted to a level tray or floor and vertical walls .

·Please note: The wall plugs included with this product are suitable for solid walls only. Plasterboard or stud walls may require specialized fixings which are not provided. (Always ensure that the wall plugs or fittings are correct for the wall type.)

·Caution: Please handle all glass with care. Any damage to the edges, or scratches to the surface that occur during assembly or normal use can cause the glass to break suddenly. Tempered glass will shatter into very small pieces that will still have sharp edges.

·Caution: Care should be taken when drilling into walls to avoid hidden pipes or electrical cables.

·When working near a tray or bath, ensure that the waste is covered so that small parts do not fall down it.

Assembly Instructions Hinged Door Enclosure

Assembly(recess installation)

Fig.1

Note: The dimensions allow for 20mm adjustment on each side for out of true walls.

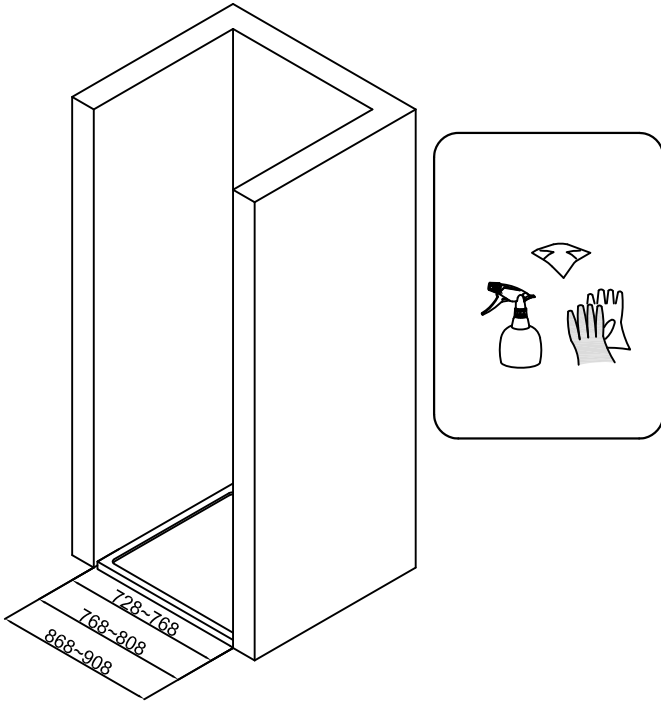


Fig.2

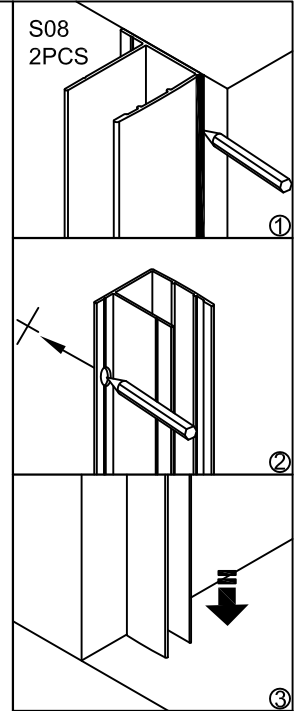
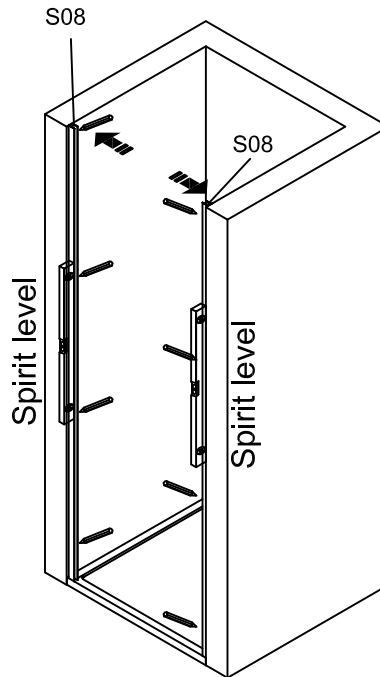


Fig.3

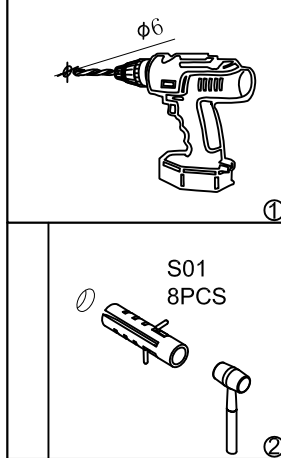
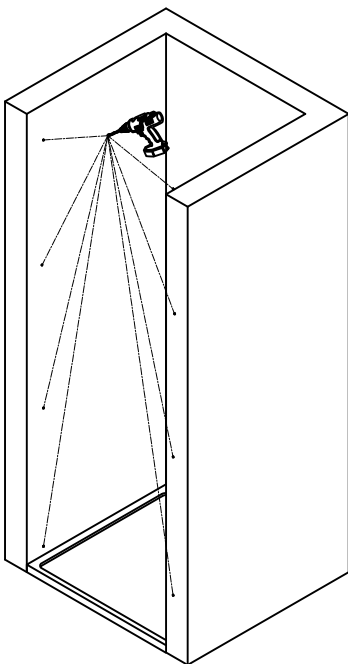
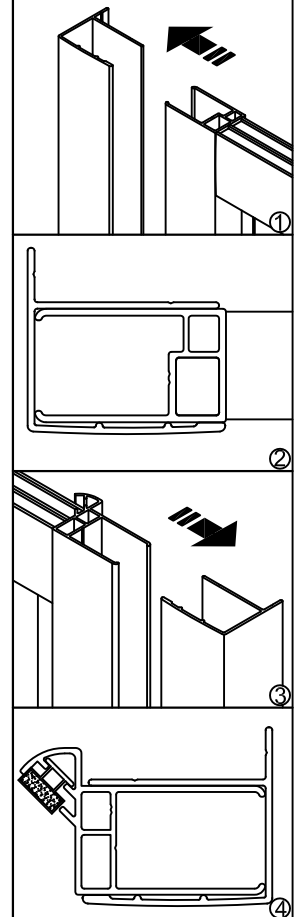
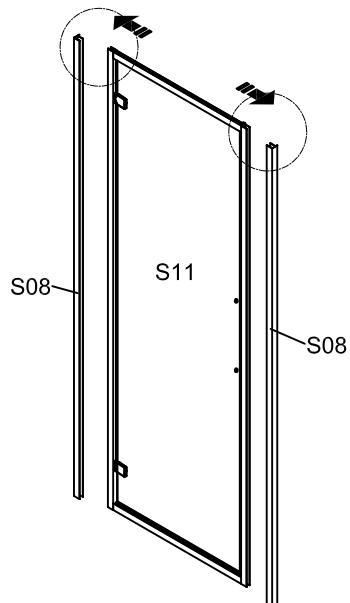


Fig.4



Assembly Instructions

Hinged Door Enclosure

Fig.5

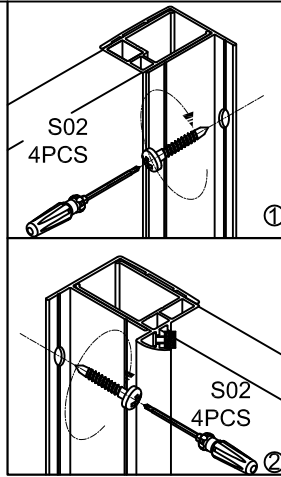
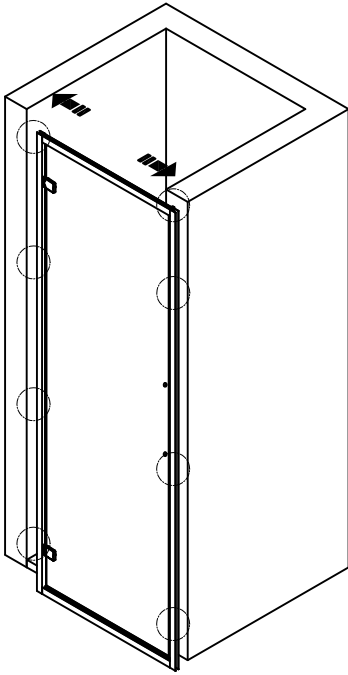


Fig.6

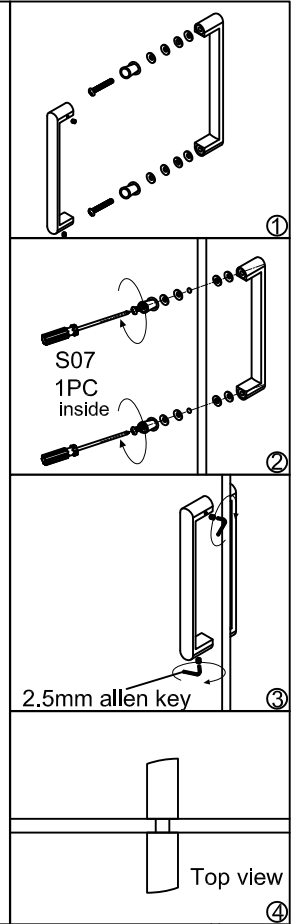
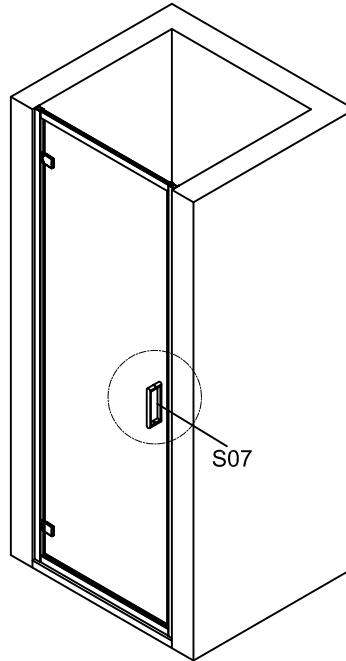


Fig.7

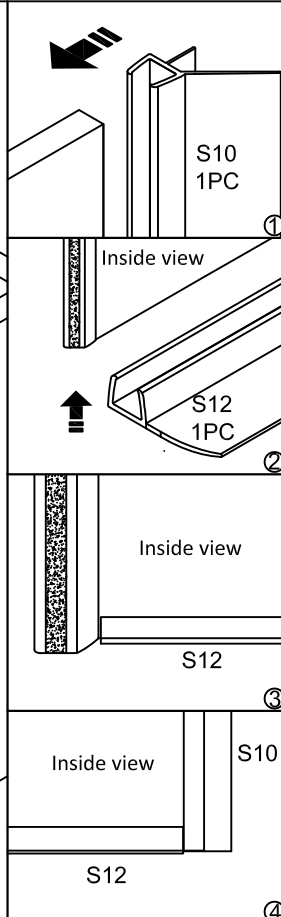
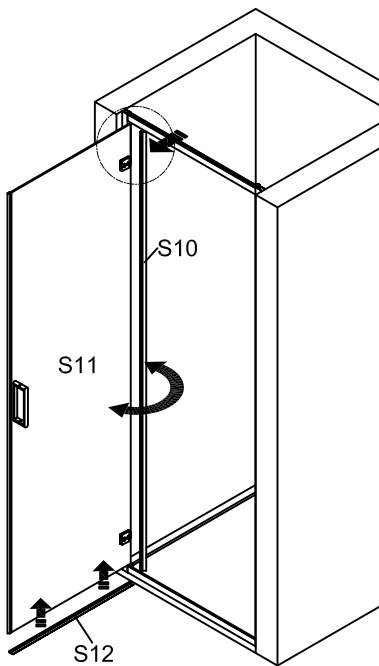
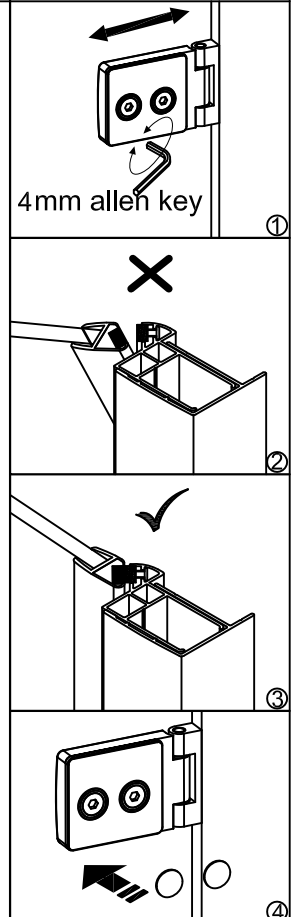
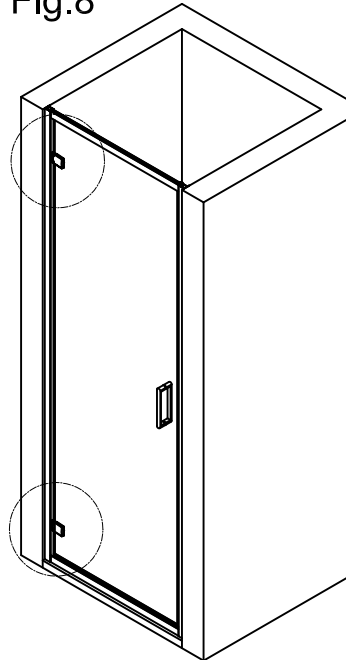


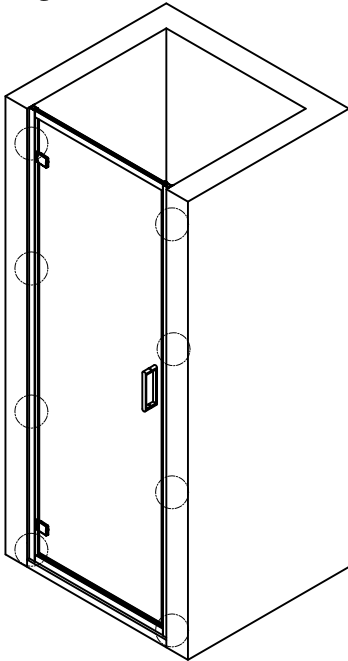
Fig.8



Assembly Instructions

Hinged Door Enclosure

Fig.9



Notes: Please drill through the pre-drilled holes in the wall profiles onto the vertical profile and magnetic profile of the hinged door.

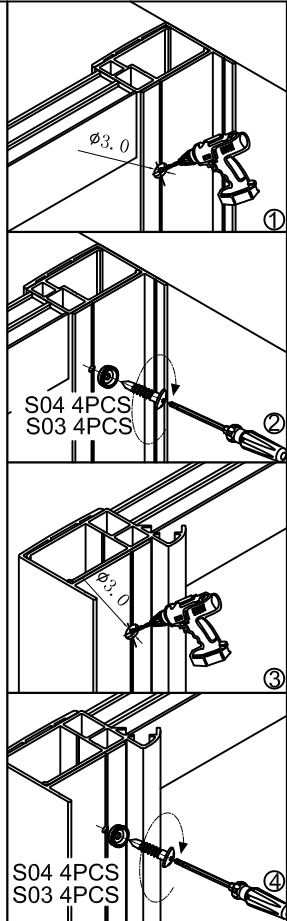


Fig.10

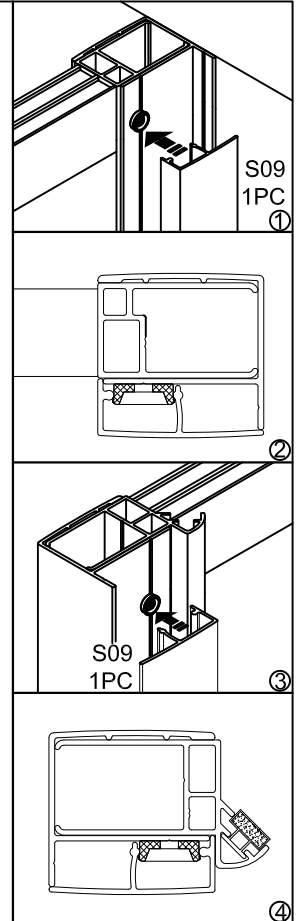
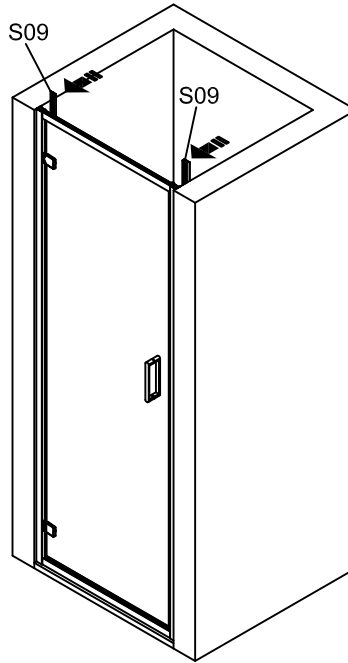


Fig.11

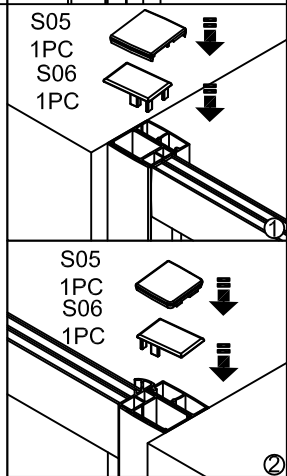
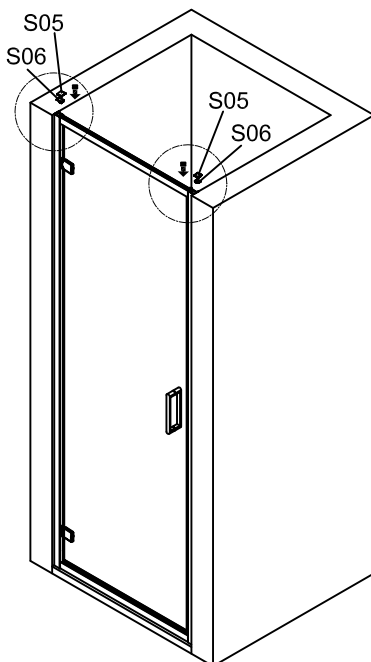
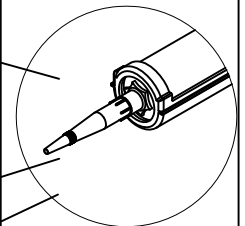
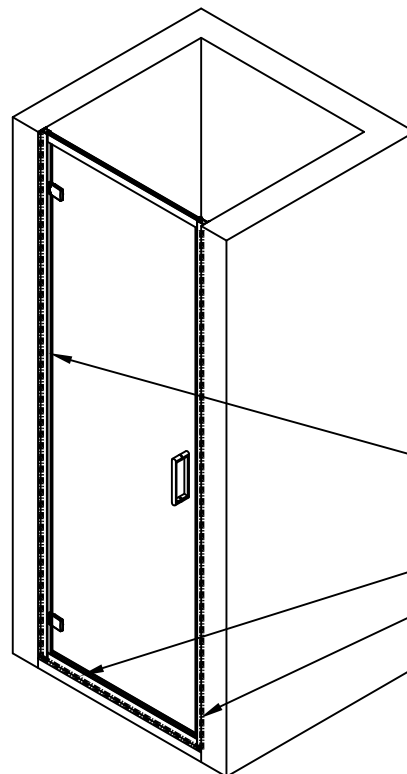


Fig.12



Assembly Instructions

Hinged Door Enclosure

Assembly(Hinged door and side panel installation)

Fig.1

Note: The dimensions allow for 20mm adjustment on each side for out of true walls.

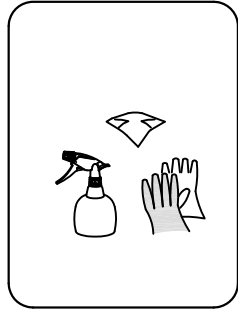
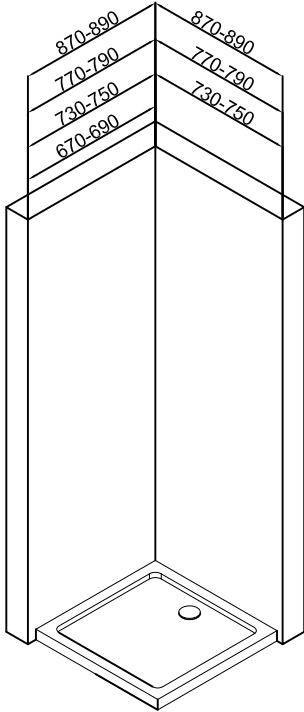


Fig.2

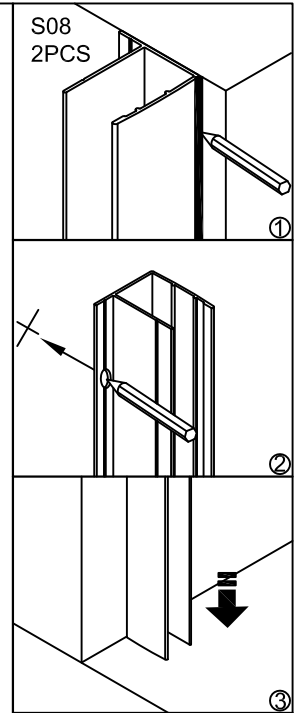
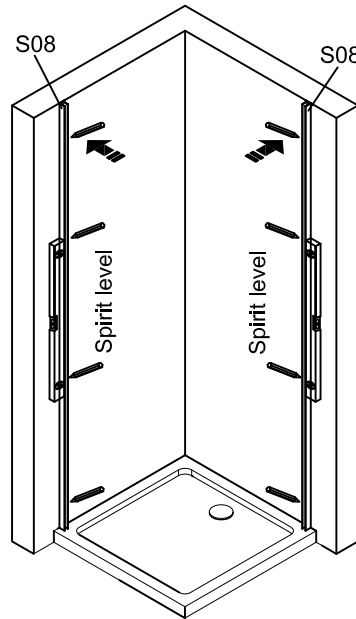


Fig.3

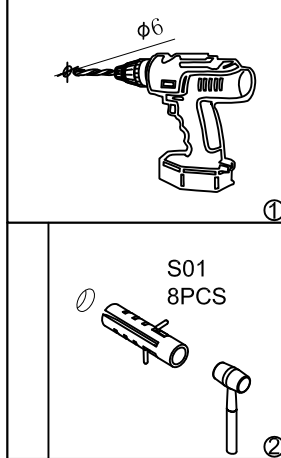
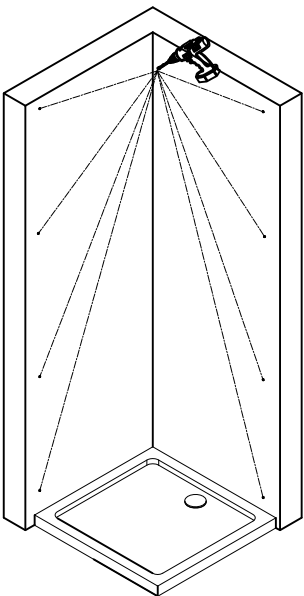
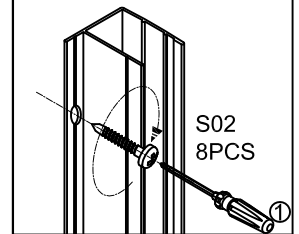
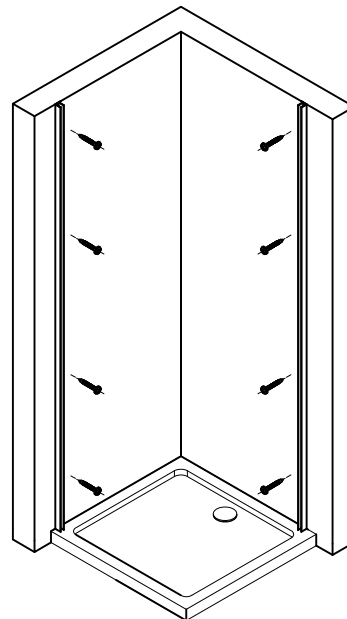
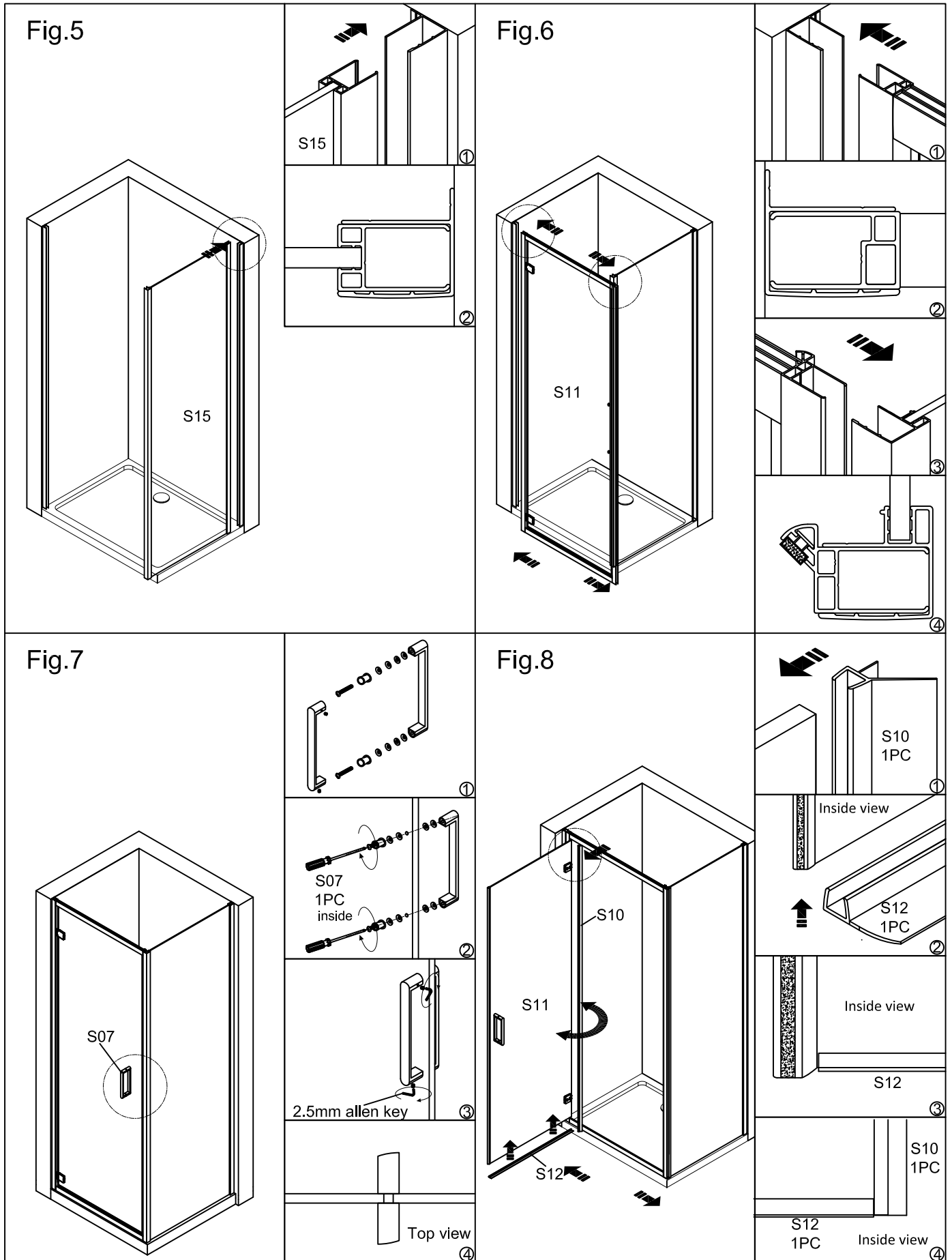


Fig.4



Assembly Instructions

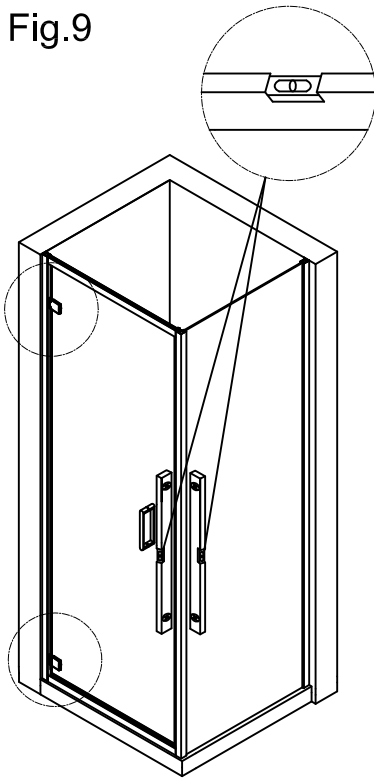
Hinged Door Enclosure



Assembly Instructions

Hinged Door Enclosure

Fig.9



Notes: Take off the hinge screw caps, loosen the hinge screws using the 4 mm Allen key. Adjust the door so that it is vertical, then re-tighten the screws and put on the screw caps.

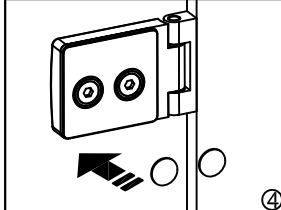
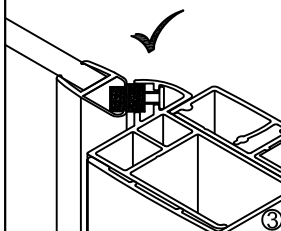
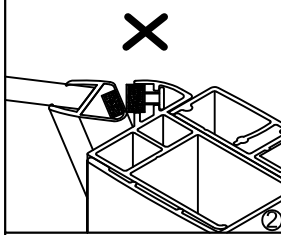
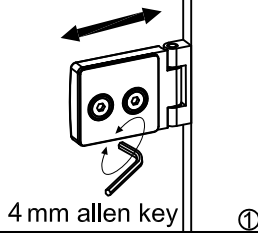
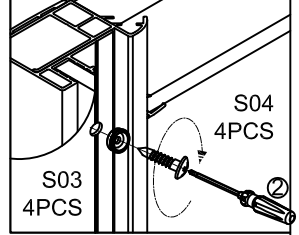
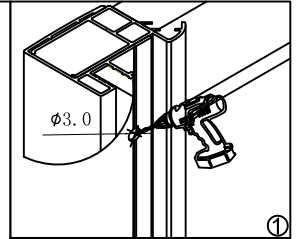
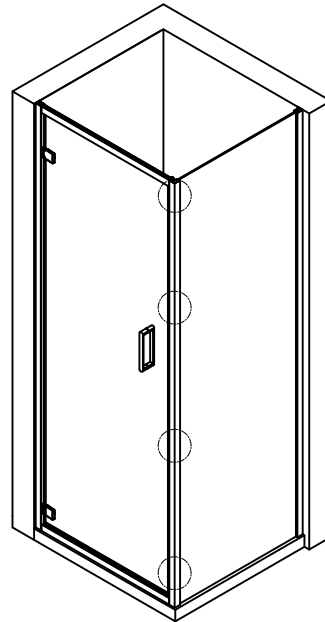
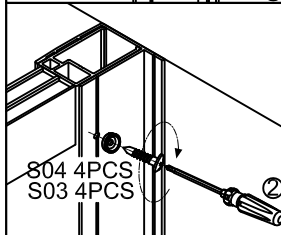
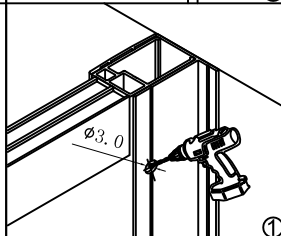
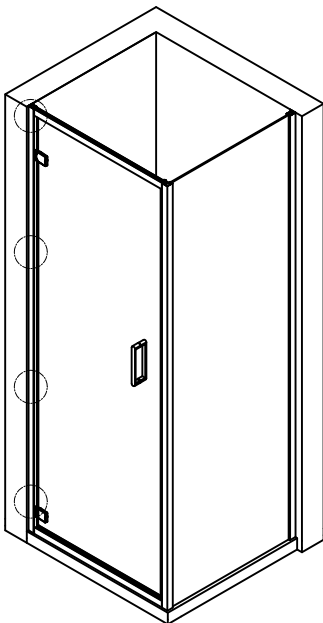


Fig.10



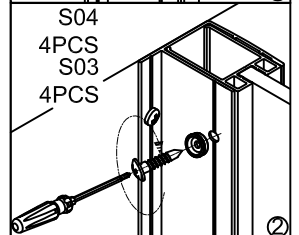
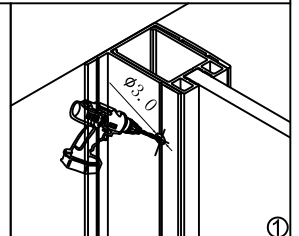
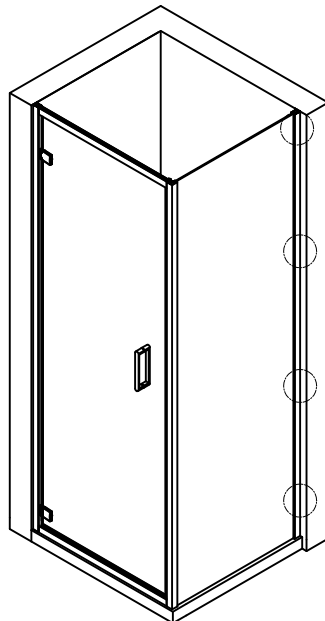
Notes: Please drill through the 4 pre-drilled holes in the corner profile onto the magnetic profile of the hinged door.

Fig.11



Notes: Please drill through the 4 pre-drilled holes in the wall profile onto the vertical profile of the hinged door.

Fig.12



Notes: Please drill through the 4 pre-drilled holes in the wall profile onto the vertical profile of the side panel.

Assembly Instructions

Hinged Door Enclosure

Fig.13

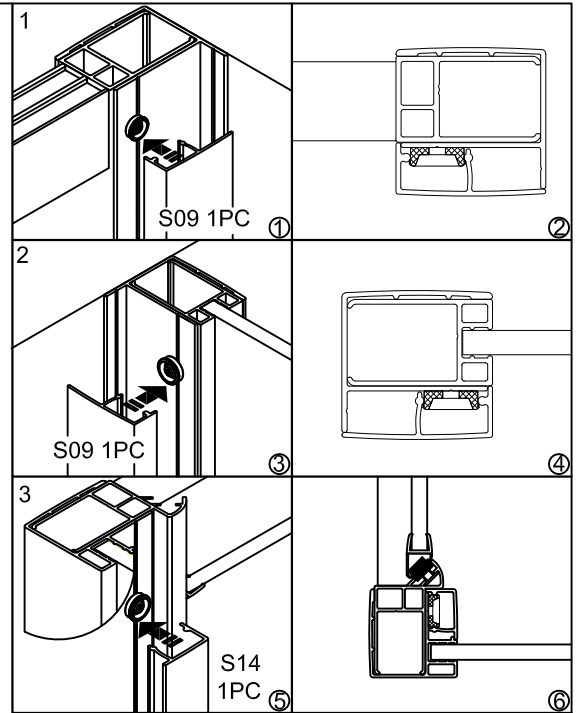
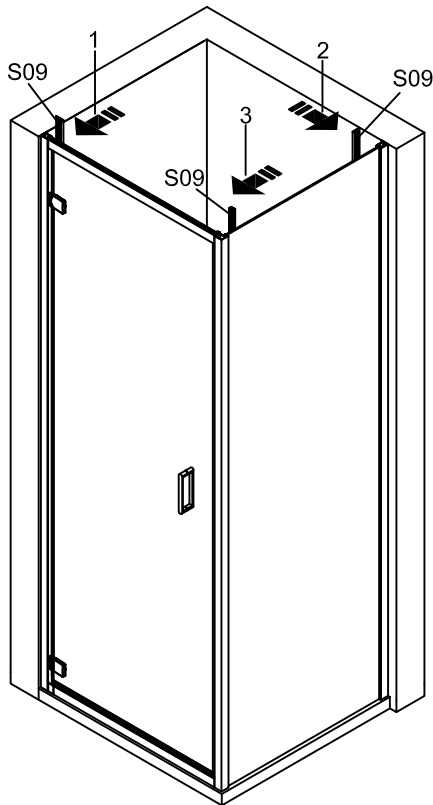


Fig.14

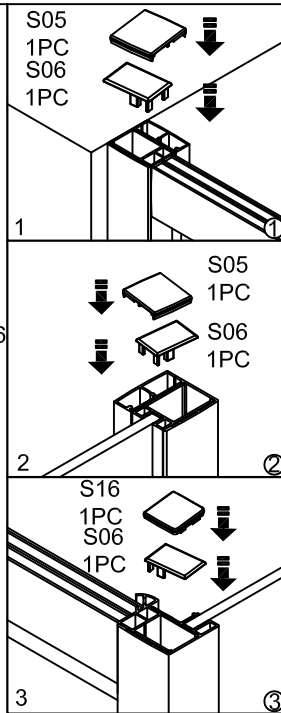
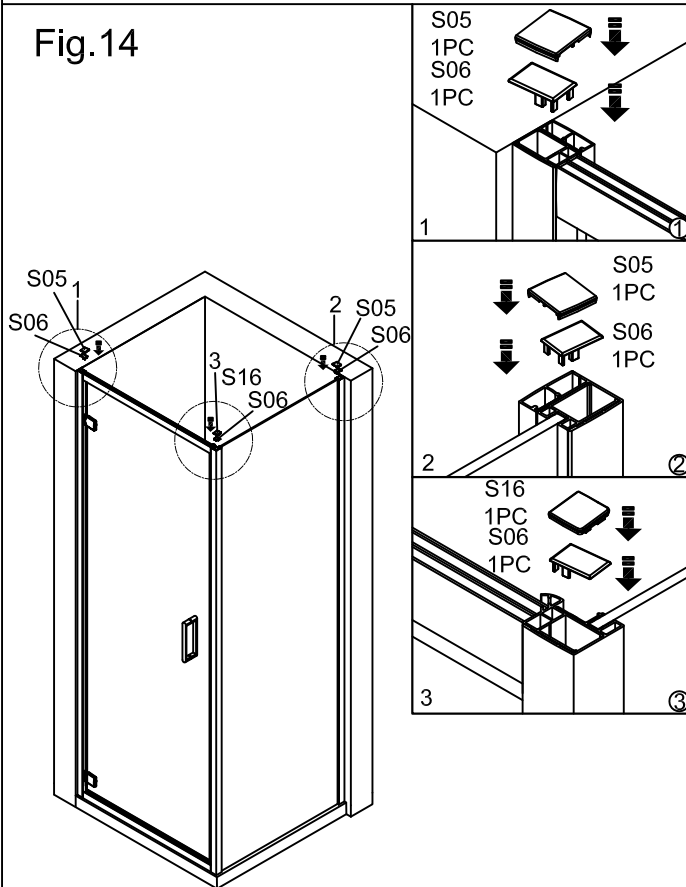
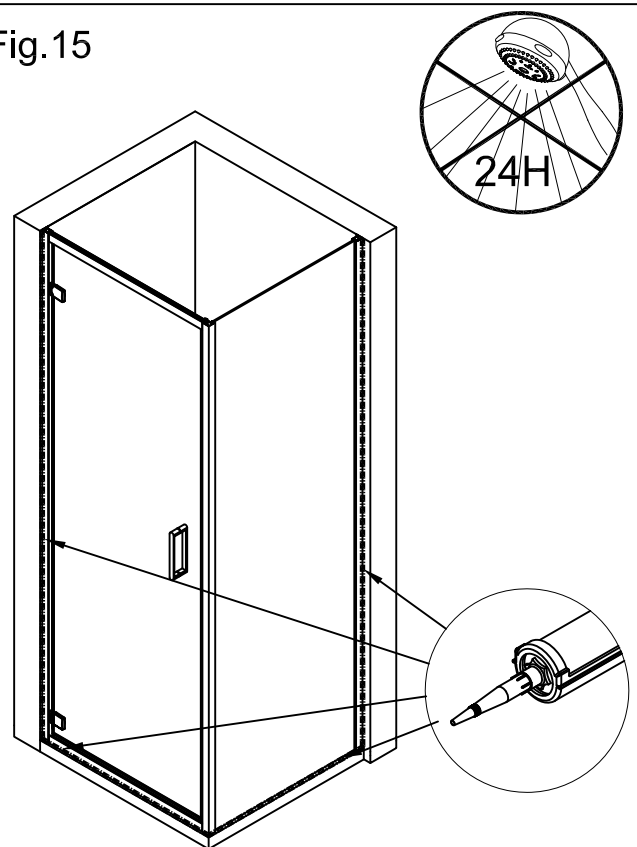


Fig.15



Assembly Instructions

Hinged Door Enclosure

Care & Use

Soapy water is adequate to keep the glass clean, although glass cleaner can be used if required. Scourers, abrasives and chemical cleaners can damage the glass and pattern, and should not be used.

In hard water areas, insoluble lime salts may be deposited on the glass. If this is allowed to build up it becomes increasingly difficult to remove and looks unsightly. Regular cleaning will minimize this effect.