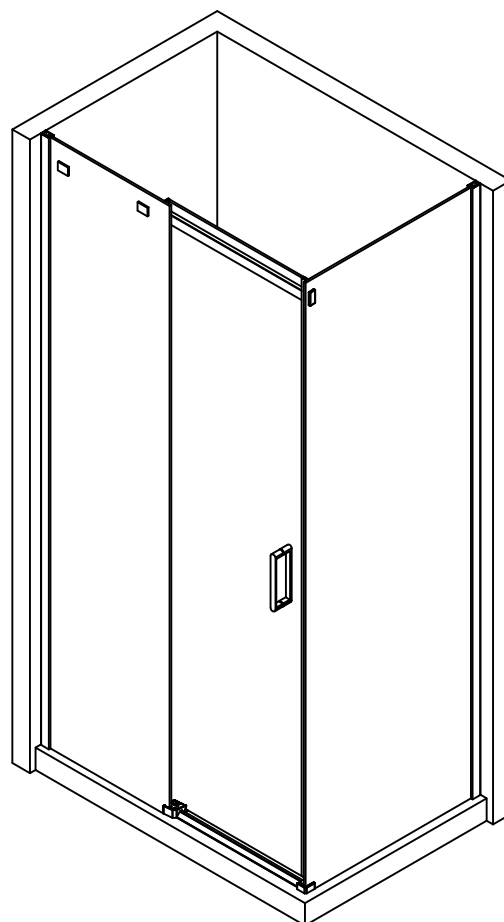
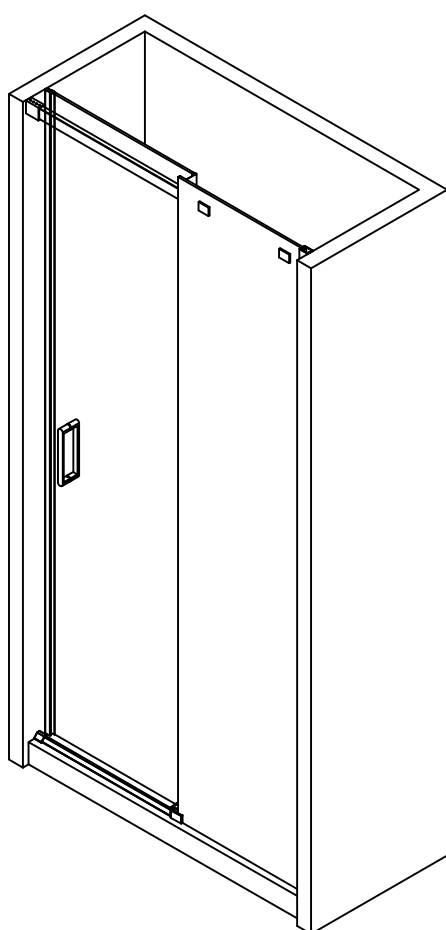


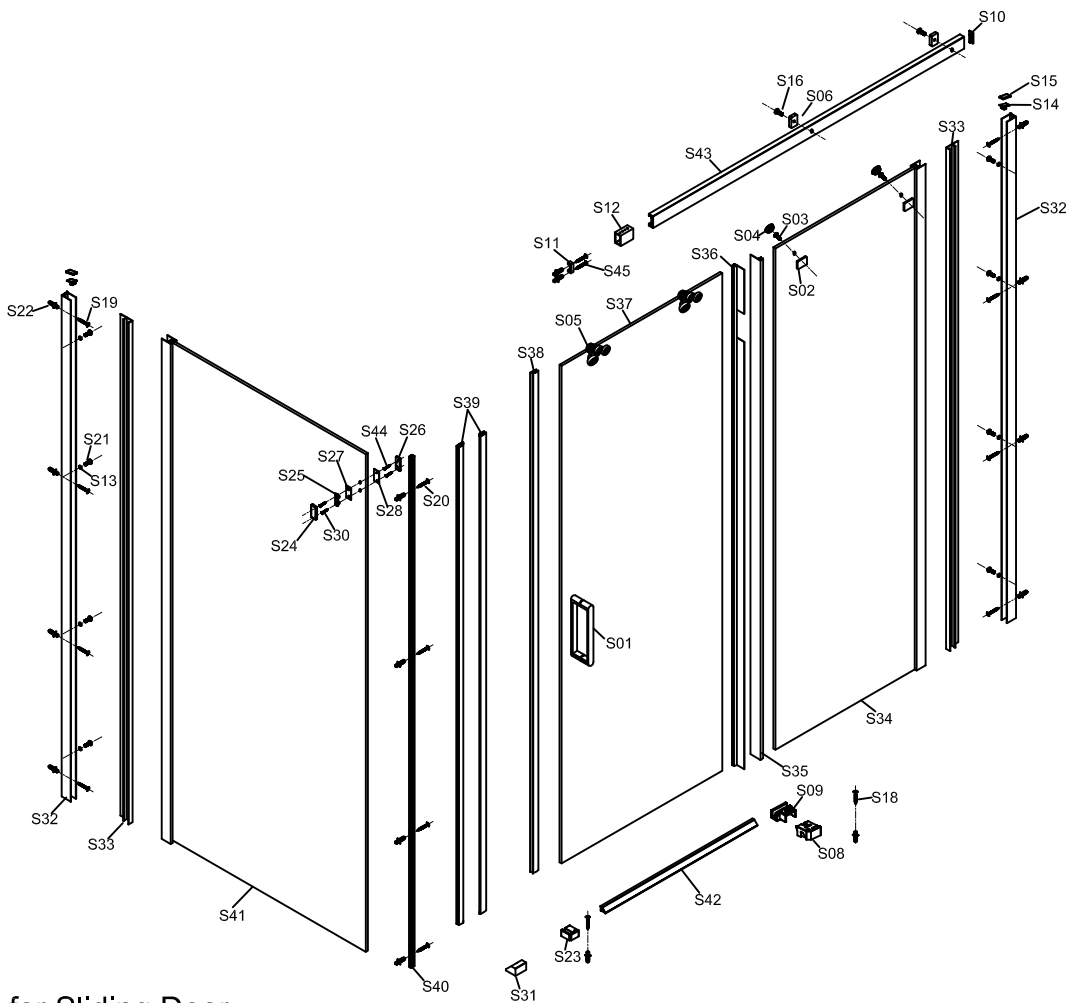
Assembly Instructions

Semi-framed Sliding Door Enclosure



Assembly Instructions

Semi-framed Sliding Door Enclosure




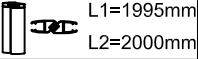

Contents for Sliding Door Parts Supplied



Ref	Description	Illustration	Qty	Ref	Description	Illustration	Qty
S01	Handle		1	S12	Wall bracket		1
S02	Fixed glass rail fixer		2	S13	Screw washer		4
S04	Rail profile hole cover		2	S14	Vertical profile cover		1
S05	Roller		2	S15	Wall profile cover		2
S06	Bump stop		2	S31	Bottom profile bracket		2
S08	Fixed glass bracket		2	S32	Wall profile		1
S09	Sliding guide		2	S33	Cover profile		1
S10	Rail profile cover		1	S34	Fixed glass		1
S11	Wall bracket base		1	S35	Fixed panel seal		1
				S36	Vertical seal		2

Assembly Instructions

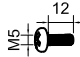
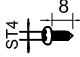
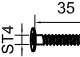
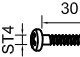
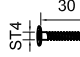
Semi-framed Sliding Door Enclosure

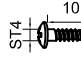

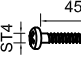
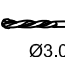


Contents for Sliding Door Parts Supplied

Ref	Description	Illustration	Qty
S37	Door		1
S39	Magnetic door seal		2
S40	Wall magnetic profile		1



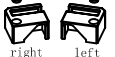



Ref	Description	Illustration	Qty
S42	Bottom profile		1
S43	Top rail		1





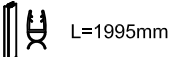

Contents for Sliding Door Fittings Supplied

Ref	Description	Illustration	Qty
S03	Screw M5x12		2
S16	Screw ST4x 8		2
S18	Screw ST4x35		1
S19	Screw ST4x30		4
S20	Screw ST4x30		4

Ref	Description	Illustration	Qty
S21	Screw ST4x10		4
S22	Wall plug		11
S45	Screw ST4x45		2
	3.0MM Drill Bit		1
	2.5mm allen key		1
	4mm allen key		1

Contents for Side Panel(Sold Separately) Parts Supplied

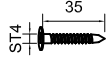
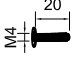
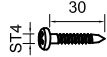
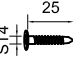
Ref	Description	Illustration	Qty
S13	Screw washer		4
S14	Vertical profile cover		1
S23	Bottom corner glass bracket		2
S24	Side panel connector cap		1
S25	Side panel connector		1
S26	Rail end connector		1

Ref	Description	Illustration	Qty
S27	PVC pad		1
S28	PVC pad		1
S32	Wall profile		1
S33	Cover profile		1
S38	Door seal		1
S41	Side panel		1

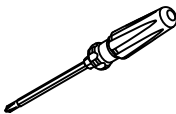
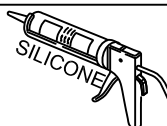
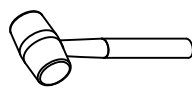



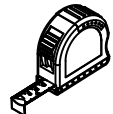


Assembly Instructions

Semi-framed Sliding Door Enclosure

Fittings Supplied

Ref	Description	Illustration	Qty	Ref	Description	Illustration	Qty
S18	Screw ST4x35		1	S30	Screw M4x20		2
S19	Screw ST4x30		4	S44	Screw ST4x25		2
S21	Screw ST4x10		4				

Tools Required(not supplied)

Magnetic Crosshead Screwdriver		Silicone Sealant	
Rubber Mallet		Knife	
Spirit Level		Pencil	
Tape Measure		6mm Drill Bit (suitable for wall type)	Ø6 
Power Drill (with hammer action)			

Assembly Instructions

Semi-framed Sliding Door Enclosure

Before You Start

·WARNING : Please read these instructions through carefully before you start the installation. Incorrect product installation may result in serious product failure in use.

Always follow the instructions and retain them for future use.

·The enclosure is designed to allow for 20mm adjustment when fitted to “out of true” walls.

The thickness of the tiles used will affect the overall position of the enclosure on the tray.

·Check the pack and ensure that you have all of the parts listed . If not, contact your vendor.

·When you are ready to start, make sure you have the right tools to hand, plenty of space and a clean dry area for assembly.

·Two people are required for assembly. Please note that although these instructions are comprehensive, it is always recommended that a technically competent installer should undertake installation.

·Ensure that the enclosure is fitted to a level tray or floor and vertical walls .

·Please note: The wall plugs included with this product are suitable for solid walls only. Plasterboard or stud walls may require specialized fixings which are not provided. (Always ensure that the wall plugs or fittings are correct for the wall type.)

·Caution: Please handle all glass with care. Any damage to the edges, or scratches to the surface that occur during assembly or normal use can cause the glass to break suddenly. Tempered glass will shatter into very small pieces that will still have sharp edges.

·Caution: Care should be taken when drilling into walls to avoid hidden pipes or electrical cables.

·When working near a tray or bath, ensure that the waste is covered so that small parts do not fall down it.

Assembly Instructions

Semi-framed Sliding Door Enclosure

Installation shown as Left handed. For Right handed installation please mirror it to the other side.
 Assembly(recess installation)

<p>Fig.1</p> <div style="border: 1px solid black; padding: 5px; width: fit-content; margin-bottom: 10px;"> </div> <p>Note: The dimensions allow for 20mm adjustment for out of true walls.</p>	<p>Fig.2</p> <p style="text-align: center;">Spirit level</p> <p style="text-align: right;">S32 1PC</p>
<p>Fig.3</p> <div style="border: 1px solid black; padding: 5px; width: fit-content; margin: 10px auto;"> <p style="text-align: center;">$\phi 6$</p> </div> <div style="border: 1px solid black; padding: 5px; width: fit-content; margin: 10px auto;"> <p style="text-align: center;">S22 4PCS</p> </div>	<p>Fig.4</p> <div style="border: 1px solid black; padding: 5px; width: fit-content; margin: 10px auto;"> <p style="text-align: right;">S19 4PCS</p> </div>

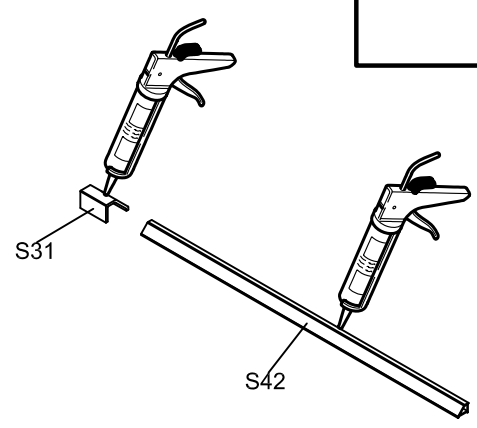
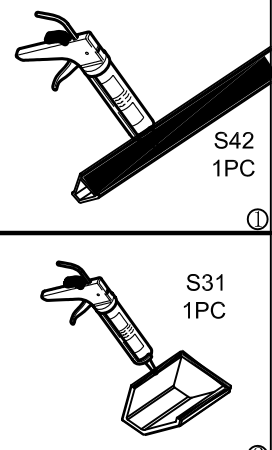
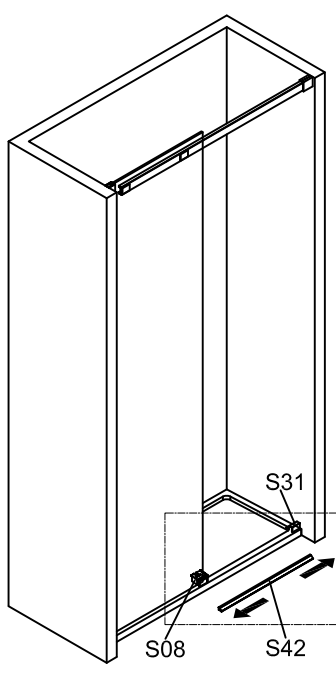
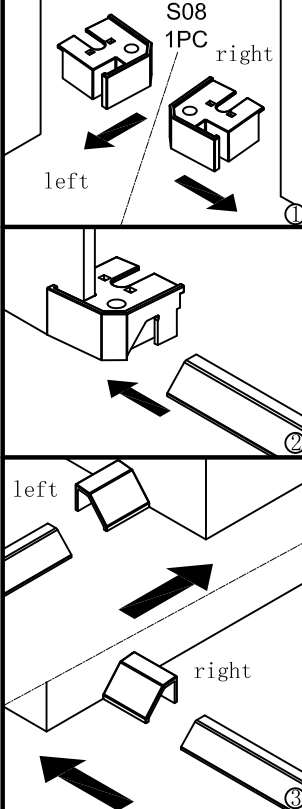
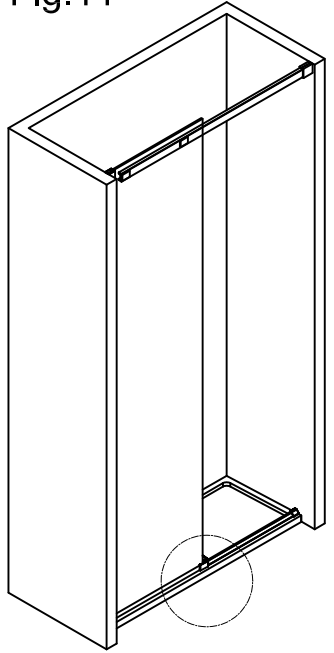
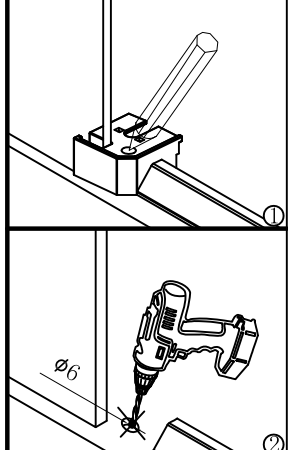
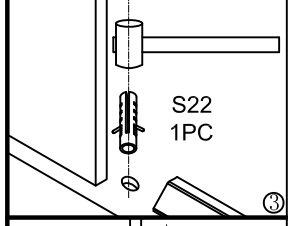
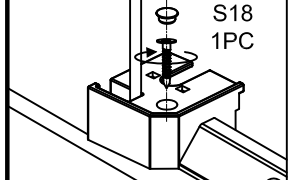
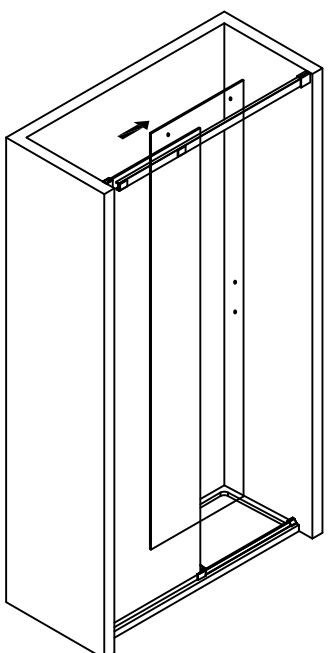
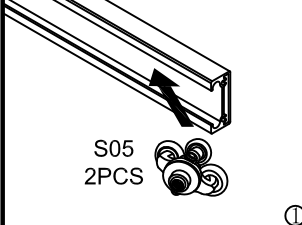
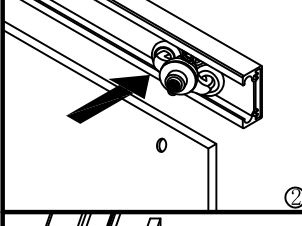
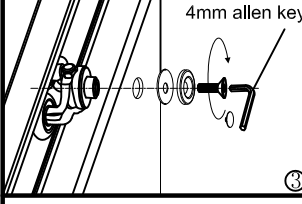
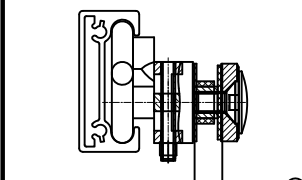
Assembly Instructions

Semi-framed Sliding Door Enclosure

<p>Fig.5</p> <p>S34 1PC</p>	<p>①</p> <p>②</p>	<p>Fig.6</p> <p>Spirit level S43 1PC</p>	<p>S02 2PCS</p> <p>S03 2PCS</p> <p>Outside view</p> <p>S04 2PCS</p> <p>Inside view</p> <p>Notes: The cylindrical washer should be inserted into the hole of the glass.</p>
<p>Fig.7</p> <p>S12 1PC</p> <p>S11 1PC</p> <p>Spirit level S43 1PC</p>	<p>①</p> <p>②</p> <p>③</p>	<p>Fig.8</p> <p>Notes: The wall bracket (S12) should be put onto the wall bracket base (S11), and the top rail (S43) should be pushed into the wall bracket (S12) to the bottom. Then please tighten the 4 screws on top with 2.5mm allen key.</p> <p>2.5mm allen key</p> <p>Note: Do not over-tighten the screws.</p>	<p>Ø6</p> <p>①</p> <p>S22 2PCS</p> <p>②</p> <p>S45 2PCS</p> <p>③</p> <p>④</p>

Assembly Instructions

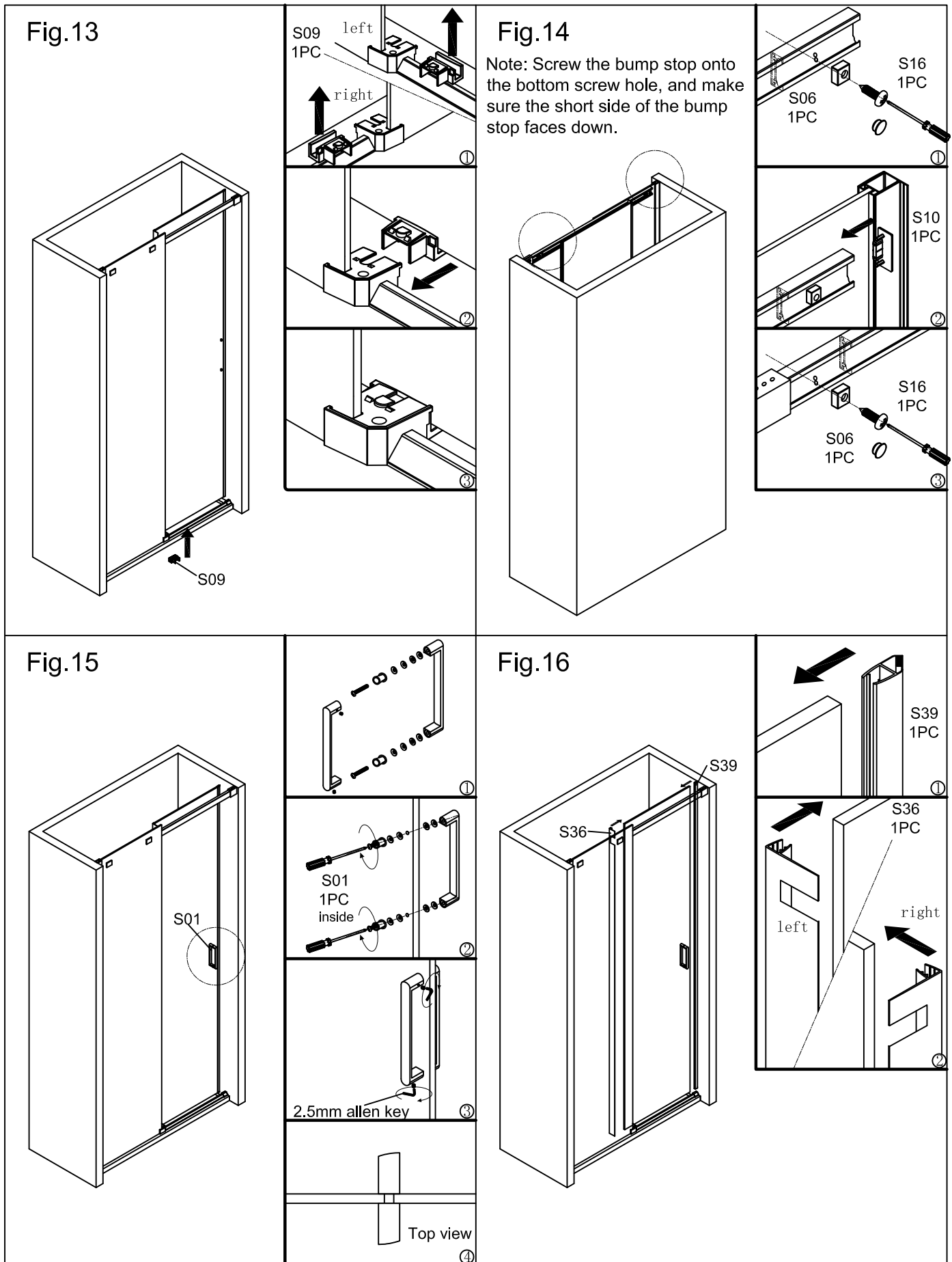
Semi-framed Sliding Door Enclosure

<p>Fig.9</p>  <p>S31</p> <p>S42</p>	<p>S42 1PC</p> <p>S31 1PC</p>  <p>①</p> <p>②</p>	<p>Fig.10</p>  <p>S31</p> <p>S08</p> <p>S42</p>	<p>S08 1PC right</p> <p>left</p>  <p>①</p> <p>②</p> <p>left</p> <p>right</p> <p>③</p>
<p>Fig.11</p> 	 <p>①</p> <p>②</p> <p>∅6</p> <p>S22 1PC</p>  <p>③</p> <p>S18 1PC</p>  <p>④</p>	<p>Fig.12</p> 	<p>S05 2PCS</p>  <p>①</p>  <p>②</p> <p>4mm allen key</p>  <p>③</p>  <p>④</p>

Note: if this enclosure is being installed onto a stone resin tray, the glass clamp must be secured using high quality, sanitary-grade silicone sealant. Stone resin trays must NOT be drilled into.

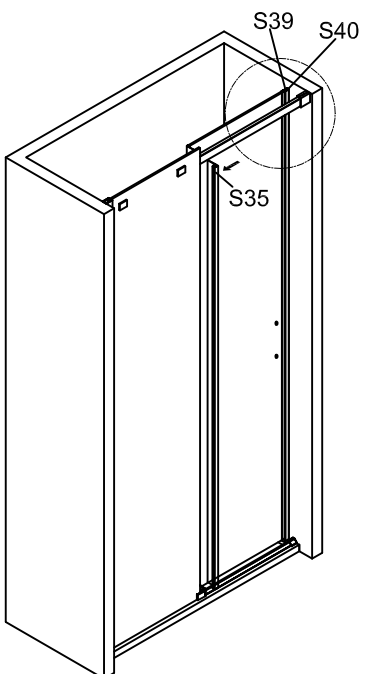
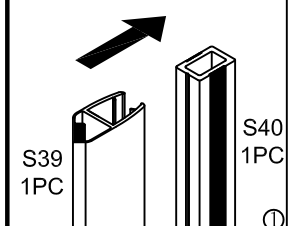
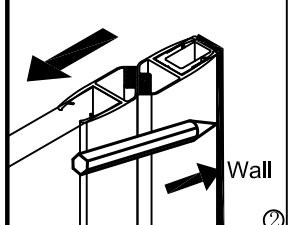
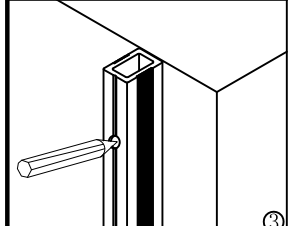
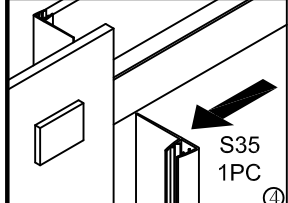
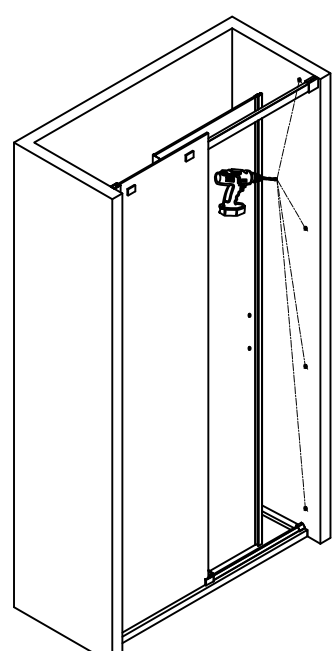
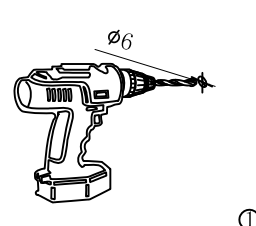
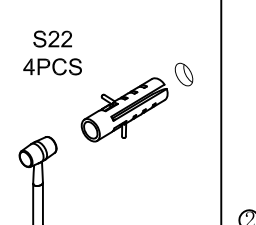
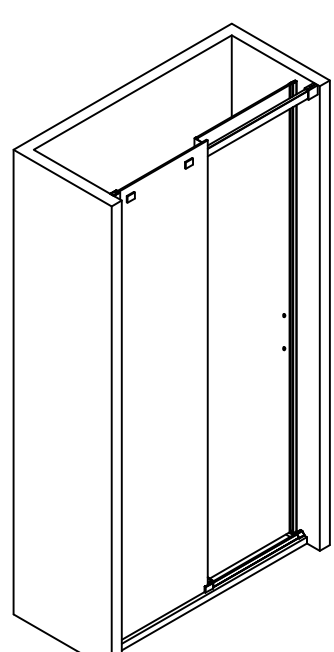
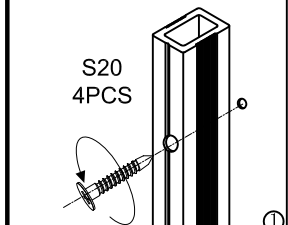
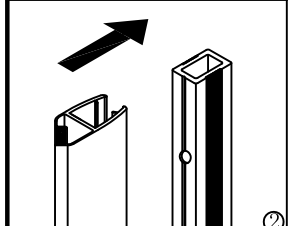
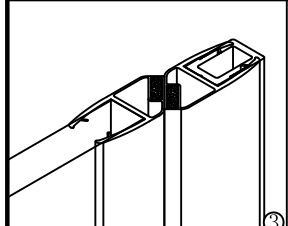
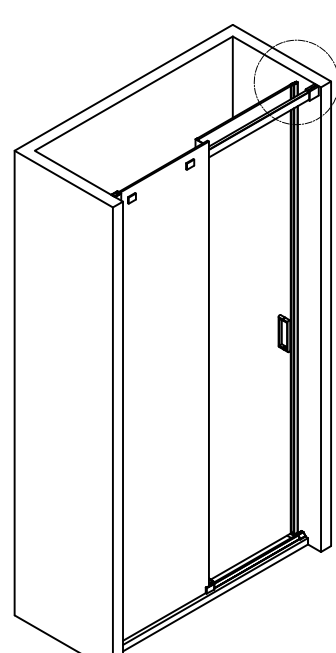
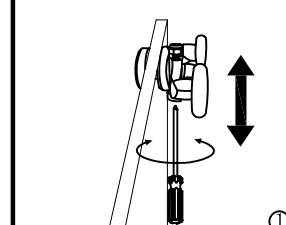
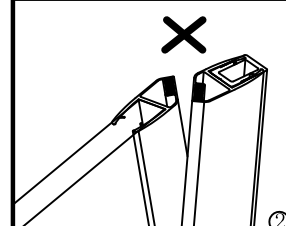
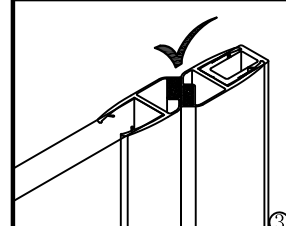
Assembly Instructions

Semi-framed Sliding Door Enclosure



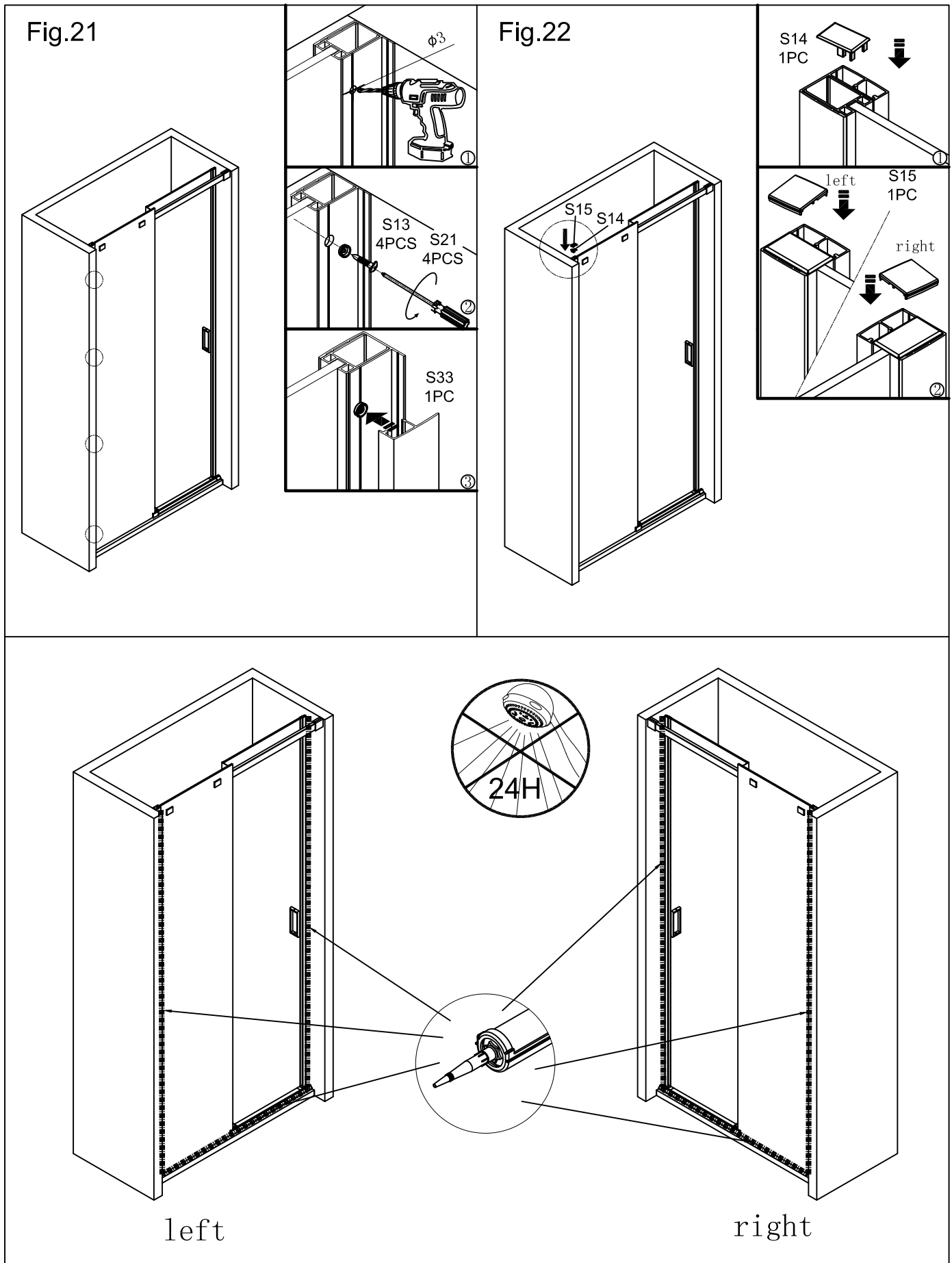
Assembly Instructions

Semi-framed Sliding Door Enclosure

<p>Fig.17</p> 	   	<p>Fig.18</p> 	 
<p>Fig.19</p> 	  	<p>Fig.20</p> 	  
<p>Notes: Adjust the screws on the bottom of top rollers to make sure the door is vertical and can close properly.</p>			

Assembly Instructions

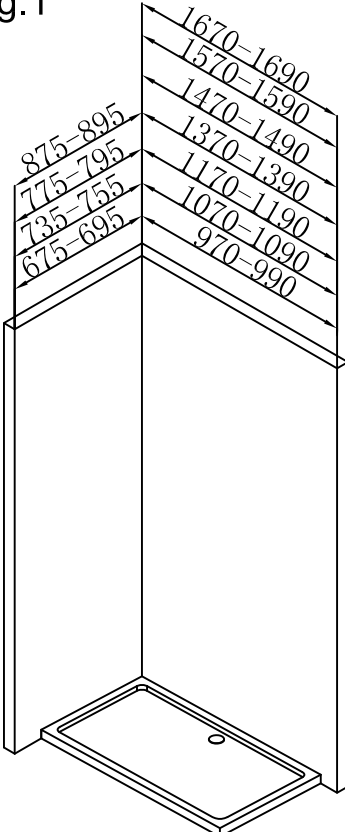

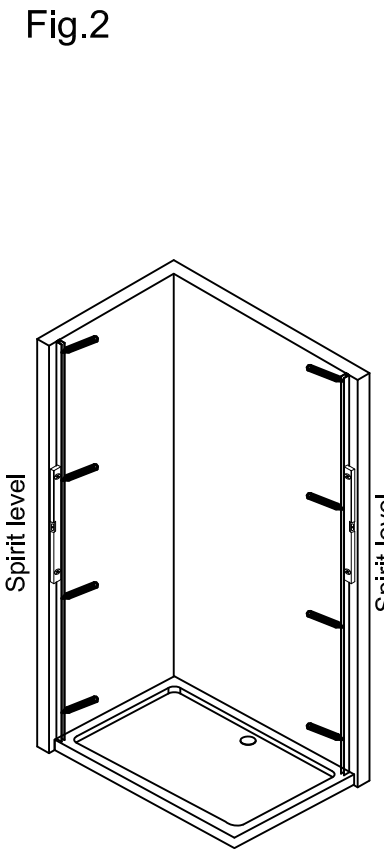
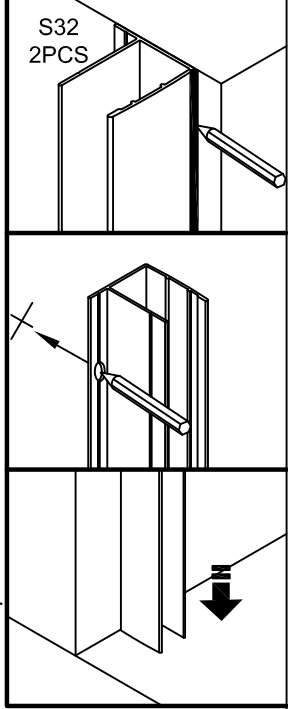
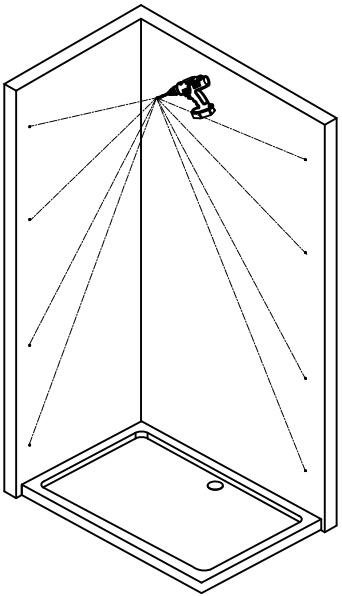
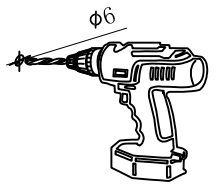
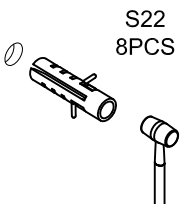
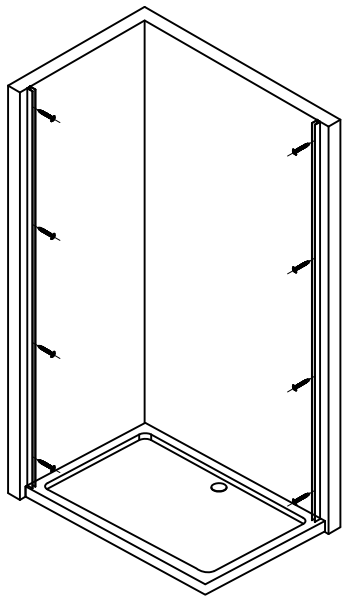
Semi-framed Sliding Door Enclosure



Assembly Instructions

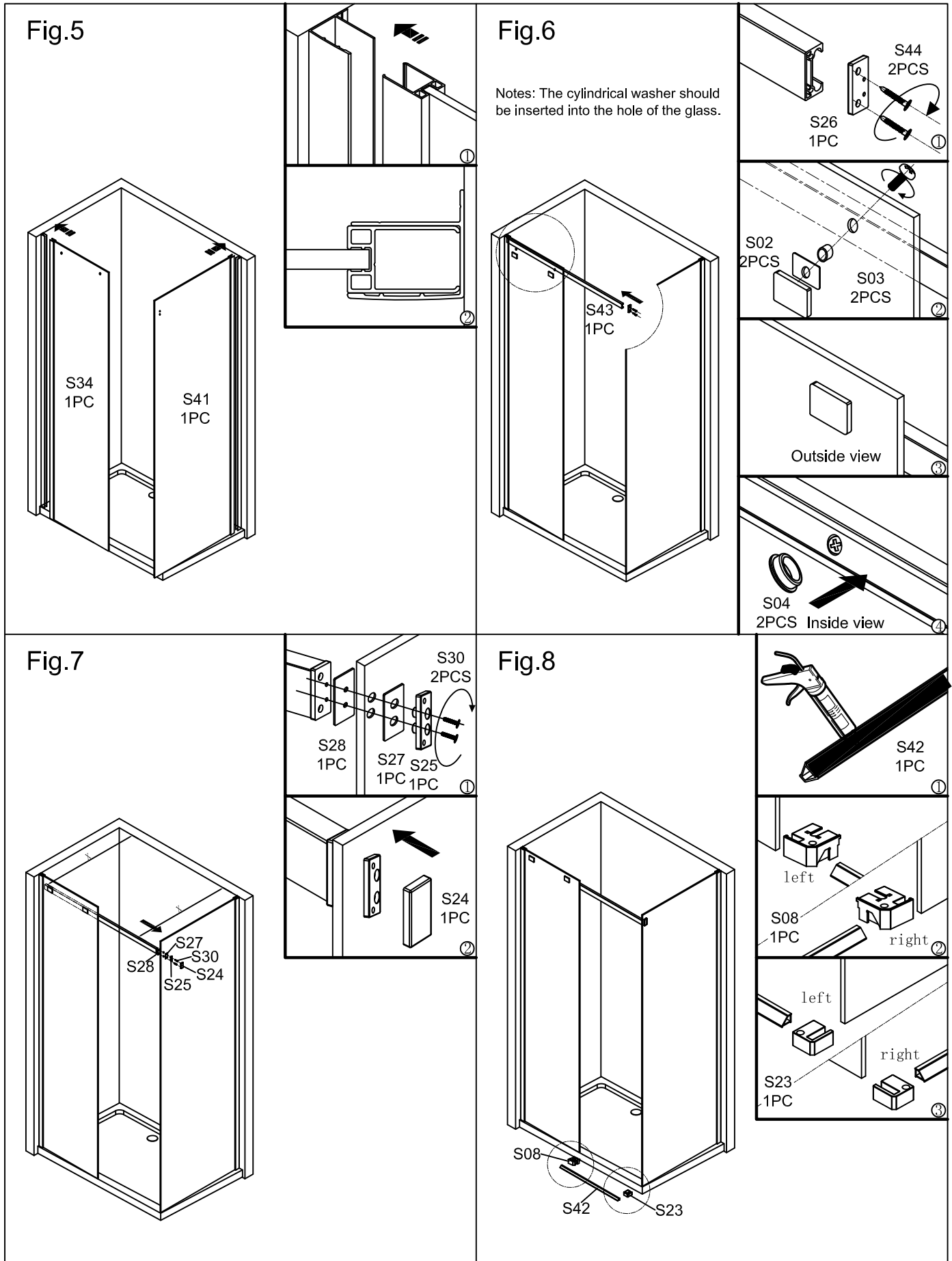
Semi-framed Sliding Door Enclosure

Installation shown as Left handed. For Right handed installation please mirror it to the other side.
 Assembly(Sliding door and side panel installation)

<p>Fig.1</p>  <div style="text-align: center; margin: 10px 0;">  </div> <p>Note: The dimensions allow for 20mm adjustment for out of true walls.</p>	<p>Fig.2</p>  <p style="text-align: center;">S32 2PCS</p> 
<p>Fig.3</p>  <div style="text-align: center; margin: 10px 0;">  </div> <div style="text-align: center; margin: 10px 0;">  <p>S22 8PCS</p> </div>	<p>Fig.4</p>  <p style="text-align: center;">S19 8PCS</p>

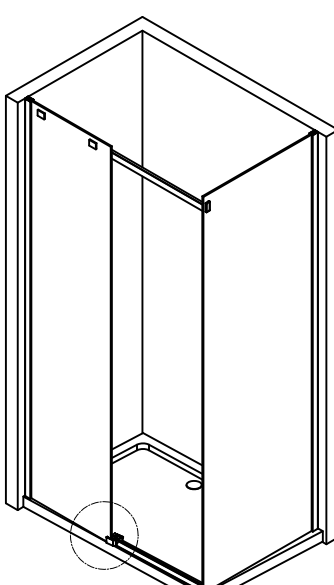
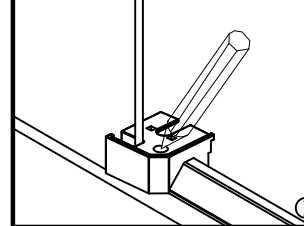
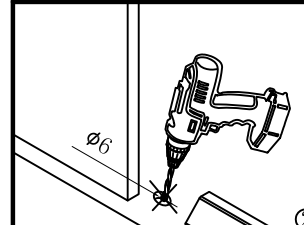
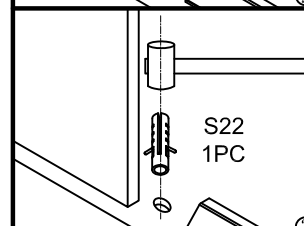
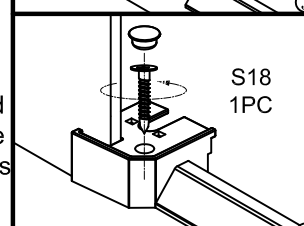
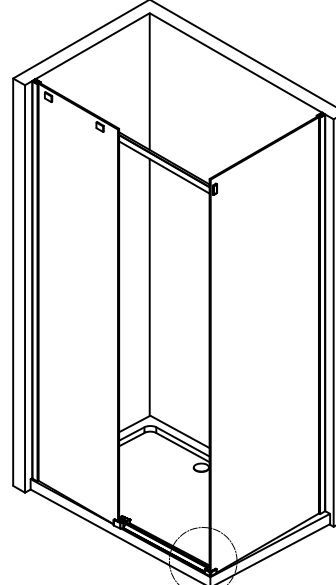
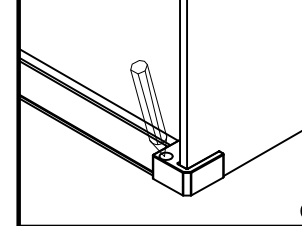
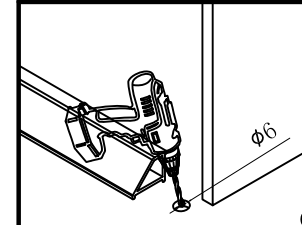
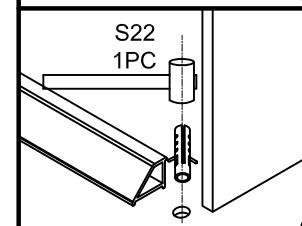
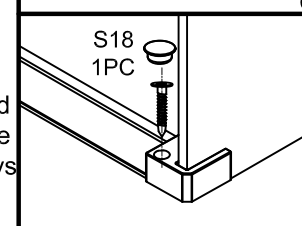
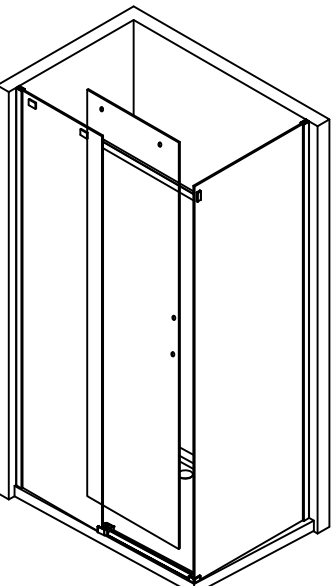
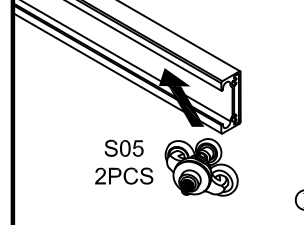
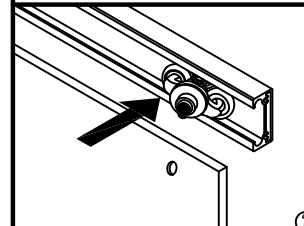
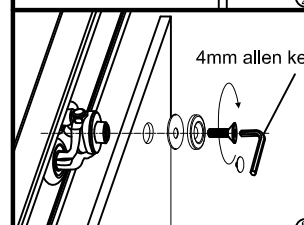
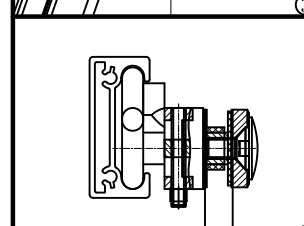
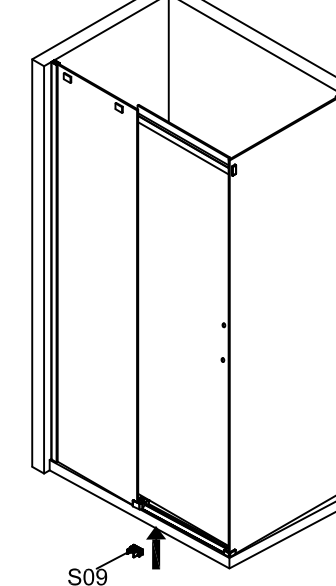
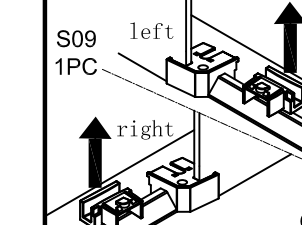
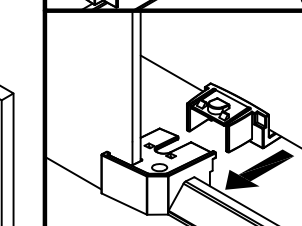
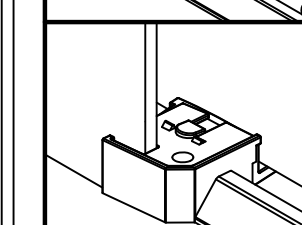
Assembly Instructions

Semi-framed Sliding Door Enclosure



Assembly Instructions

Semi-framed Sliding Door Enclosure

<p>Fig.9</p>  <p>Note: if this enclosure is being installed onto a stone resin tray, the glass clamp must be secured using high quality, sanitary-grade silicone sealant. Stone resin trays must NOT be drilled into.</p>	   	<p>Fig.10</p>  <p>Note: if this enclosure is being installed onto a stone resin tray, the glass clamp must be secured using high quality, sanitary-grade silicone sealant. Stone resin trays must NOT be drilled into.</p>	   
<p>Fig.11</p> 	   	<p>Fig.12</p> 	  

Assembly Instructions

Semi-framed Sliding Door Enclosure

Fig.13

Note: Screw the bump stop onto the bottom screw hole, and make sure the short side of the bump stop faces down.

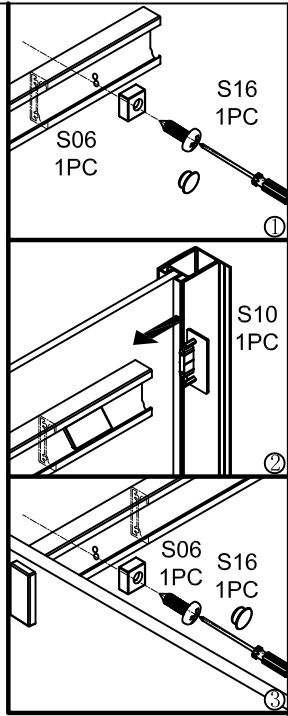
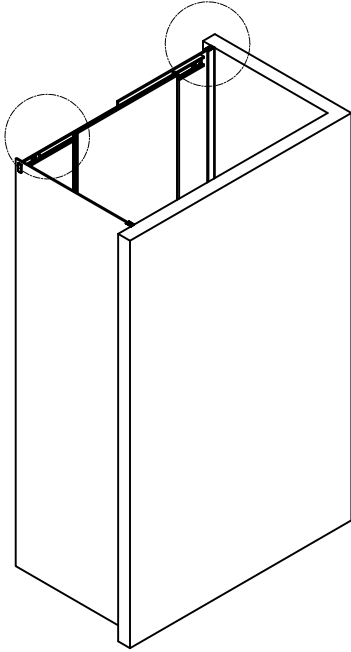


Fig.14

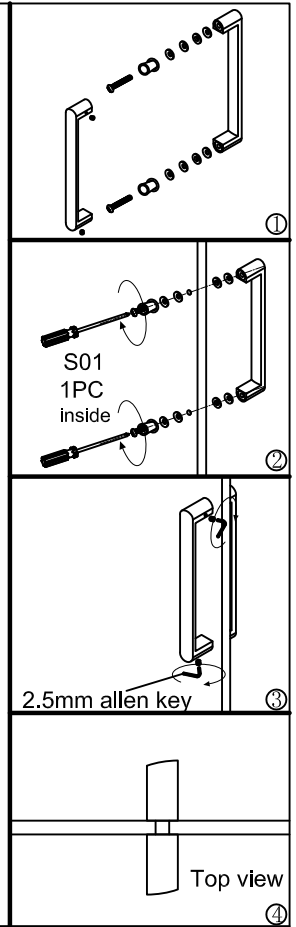
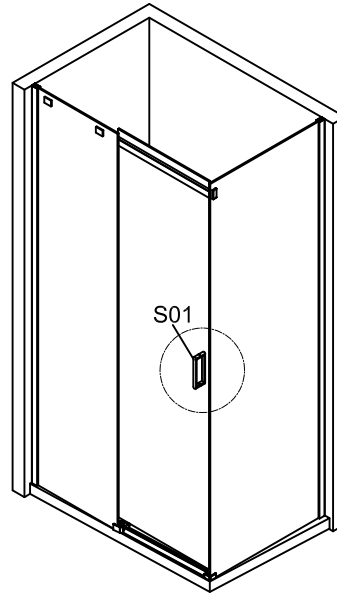


Fig.15

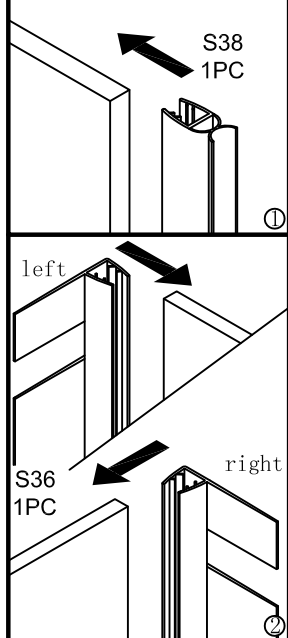
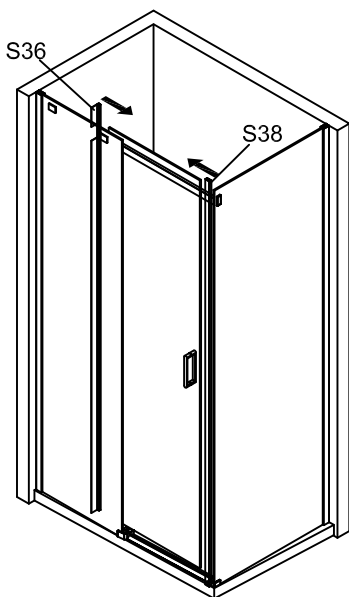
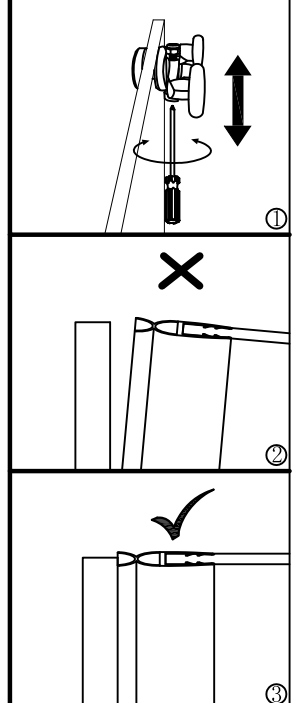
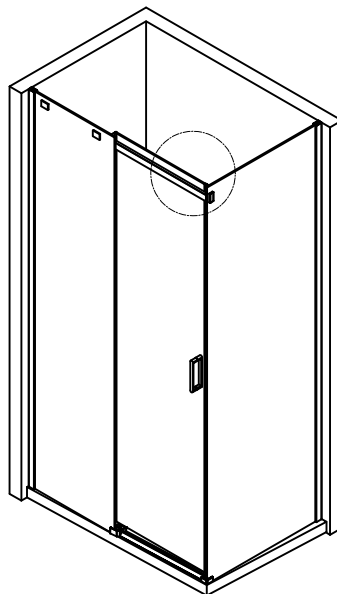


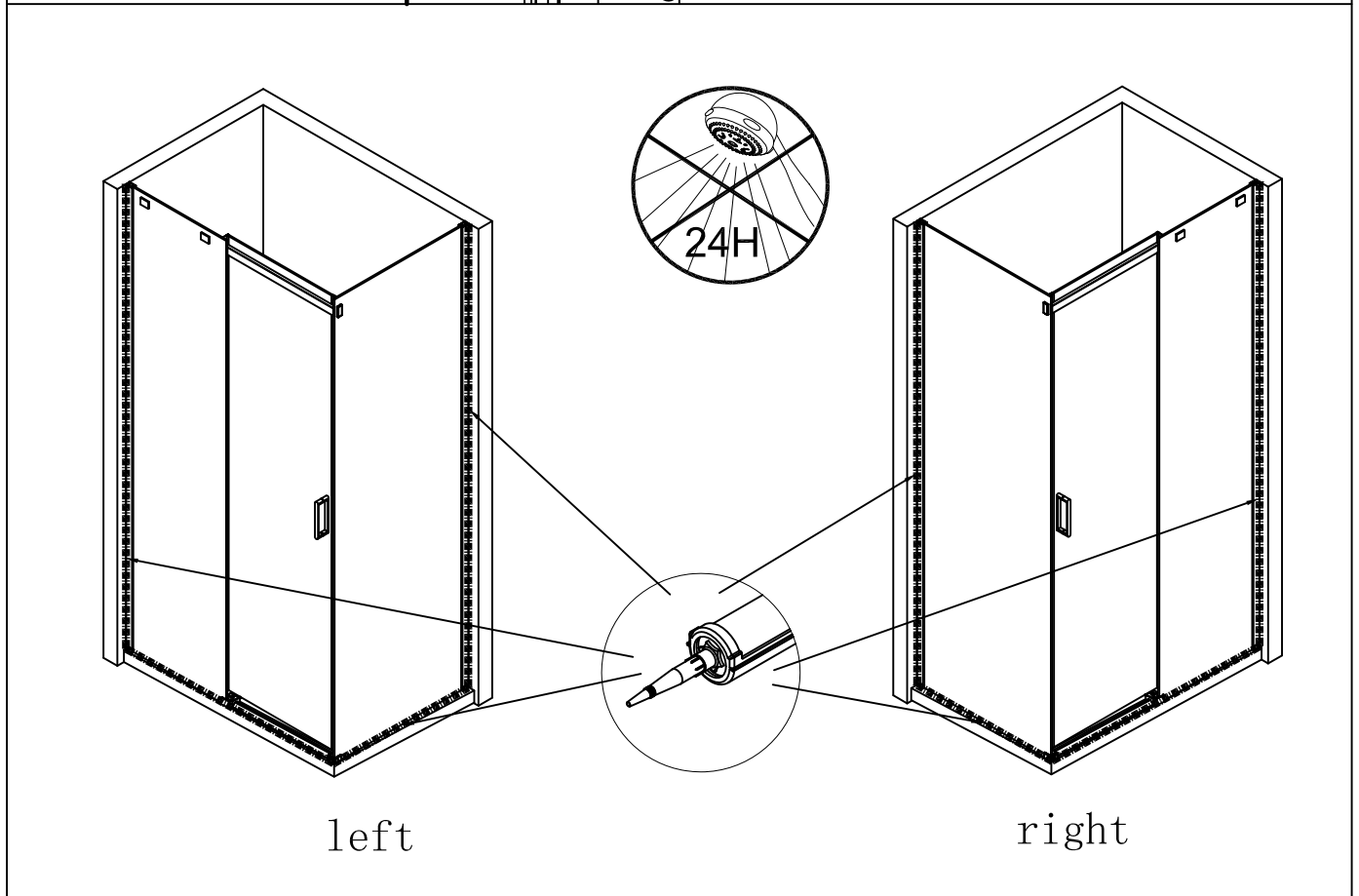
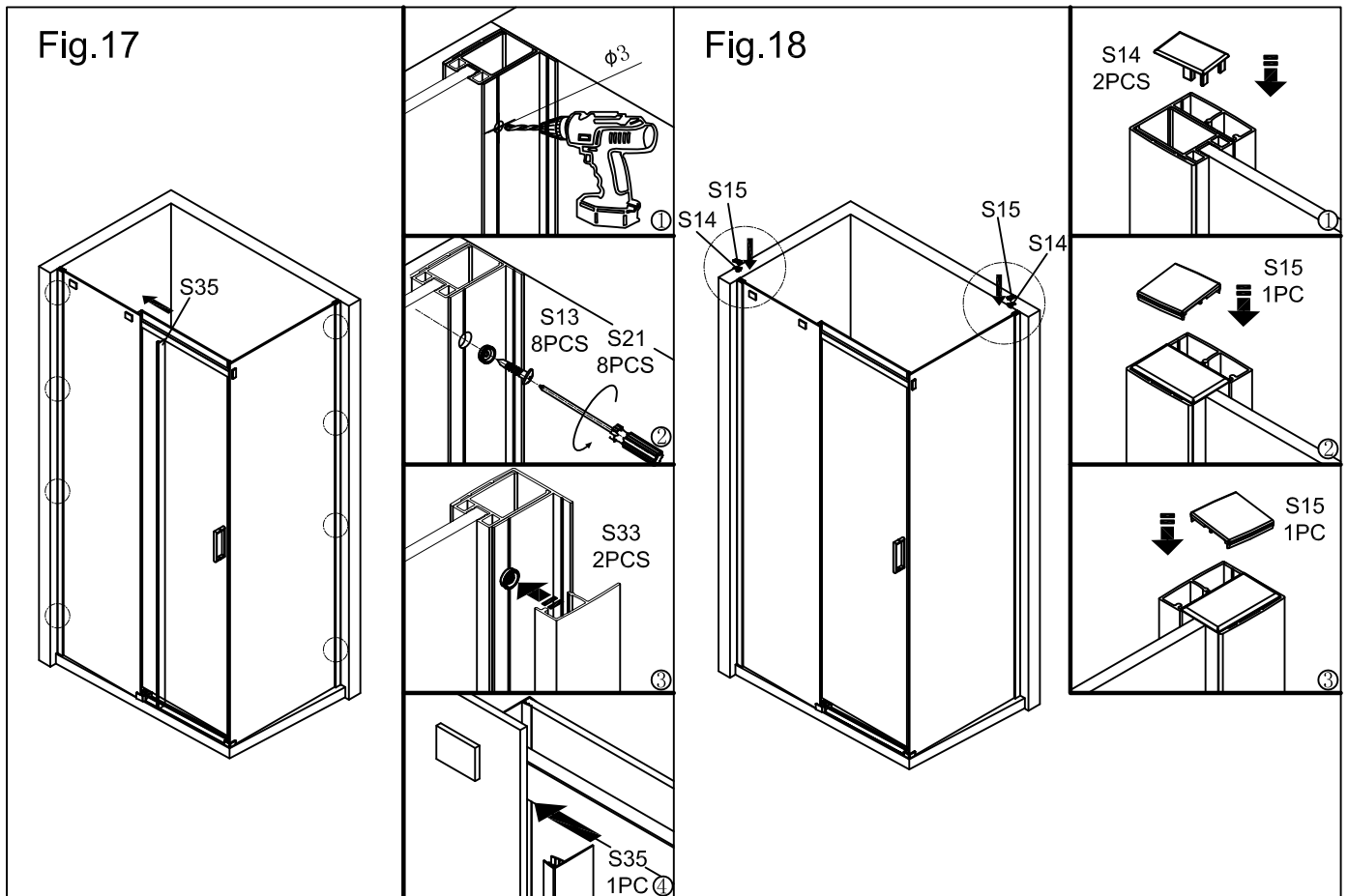
Fig.16



Notes: Adjust the screws on the bottom of top rollers to make sure the door is vertical and can close properly.

Assembly Instructions

Semi-framed Sliding Door Enclosure



Assembly Instructions

Semi-framed Sliding Door Enclosure

Care & Use

Soapy water is adequate to keep the glass clean, although glass cleaner can be used if required. Scourers, abrasives and chemical cleaners can damage the glass and pattern, and should not be used.

In hard water areas, insoluble lime salts may be deposited on the glass. If this is allowed to build up it becomes increasingly difficult to remove and looks unsightly. Regular cleaning will minimize this effect.