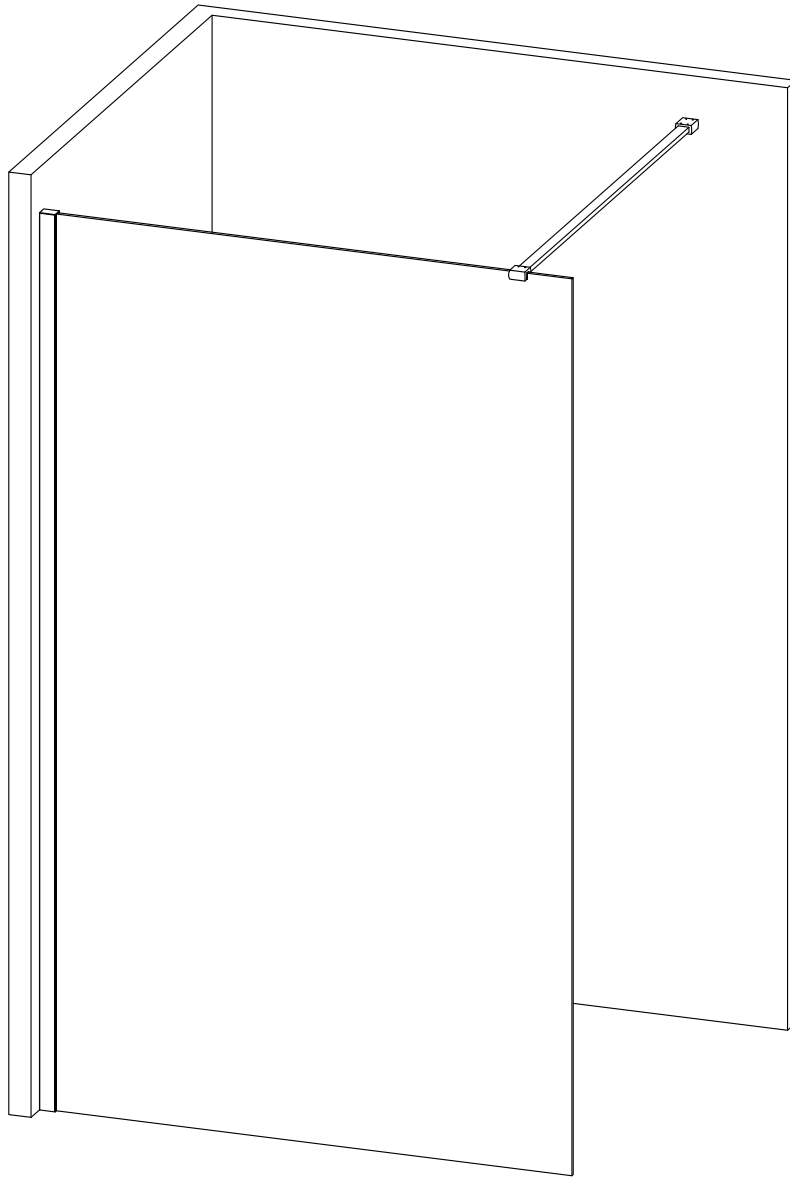


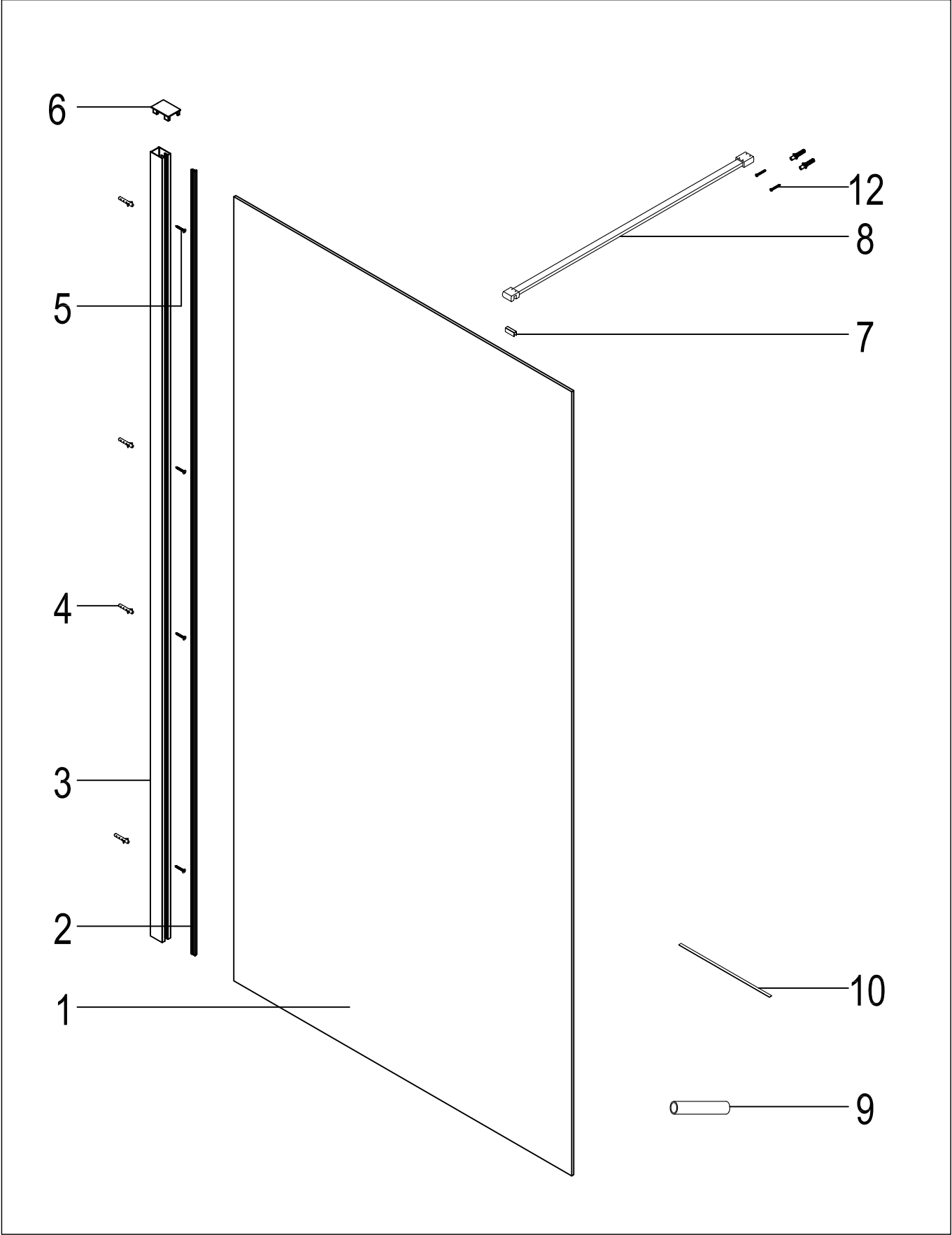
Assembly Instructions

Wetroom Enclosure



Assembly Instructions

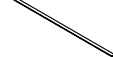
Wetroom Enclosure



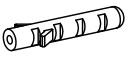


Assembly Instructions

Wetroom Enclosure

Parts Supplied

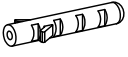

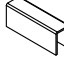
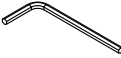

Ref	Description	Illustration	Qty	Ref	Description	Illustration	Qty
1	Wetroom panel		1	6	Wall profile cover		1
2	Rubber seal		1	9	tube for screwdriver and screw		1
3	Wall profile		1	10	Foam sticker		1

Fittings Supplied

Ref	Description	Illustration	Qty	Ref	Description	Illustration	Qty
4	Wall plug		4	11	tool for rubber seal		1
5	Stainless steel Screw ST3.9X35		4				

Contents for Support Bar (Sold Separately)

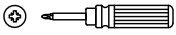
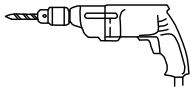

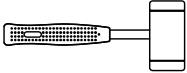
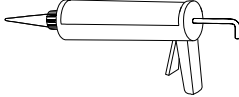
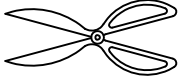



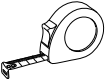
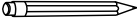
Parts Supplied

Ref	Description	Illustration	Qty	Ref	Description	Illustration	Qty
4	Wall plug		2	12	Stainless steel Screw ST4X40		2
7	Nylon washer		1		2.5mm allen key		1
8	Support Bar L=1000		1				

Assembly Instructions

Wetroom Enclosure

Tools Required(not supplied)

Magnetic Crosshead Screwdriver		Power Drill(with hammer action)		6MM Drill Bit(suitable for wall type)	 Ø6mm
Rubber Mallet		Silicone Sealant		Scissors	
Spirit Level		Knife		Hacksaw	
Tape Measure		Pencil			

Assembly Instructions

Wetroom Enclosure

Before You Start

·WARNING : Please read these instructions through carefully before you start the installation. Incorrect product installation may result in serious product failure in use.

Always follow the instructions and retain them for future use.

·The enclosure is designed to allow for 20mm adjustment when fitted to “out of true” walls.

The thickness of the tiles used will affect the overall position of the enclosure on the tray.

·Check the pack and ensure that you have all of the parts listed . If not, contact your vendor.

·When you are ready to start, make sure you have the right tools to hand, plenty of space and a clean dry area for assembly.

·Two people are required for assembly. Please note that although these instructions are comprehensive, it is always recommended that a technically competent installer should undertake installation.

·Ensure that the enclosure is fitted to a level tray or floor and vertical walls .

·Please note: The wall plugs included with this product are suitable for solid walls only. Plasterboard or stud walls may require specialized fixings which are not provided. (Always ensure that the wall plugs or fittings are correct for the wall type.)

·Caution: Please handle all glass with care. Any damage to the edges, or scratches to the surface that occur during assembly or normal use can cause the glass to break suddenly. Tempered glass will shatter into very small pieces that will still have sharp edges.

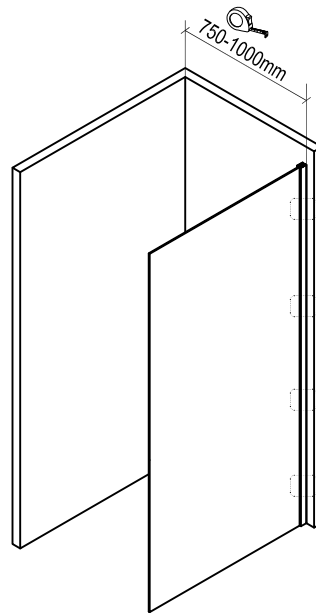
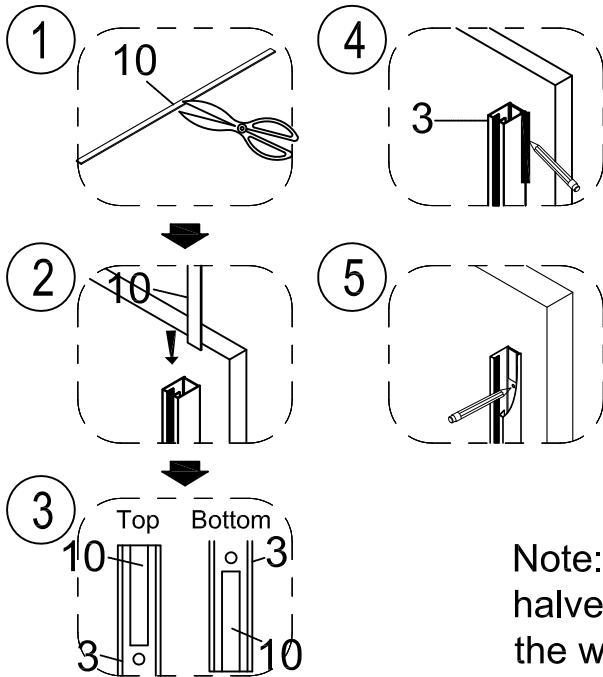
·Caution: Care should be taken when drilling into walls to avoid hidden pipes or electrical cables.

·When working near a tray or bath, ensure that the waste is covered so that small parts do not fall down it.

Assembly Instructions

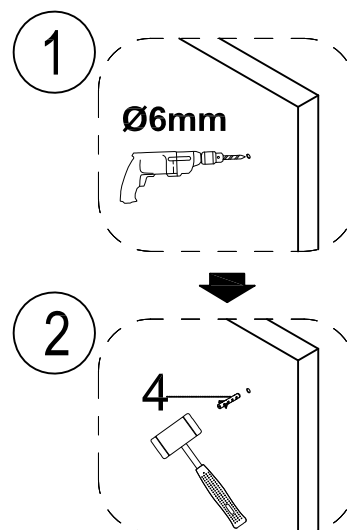
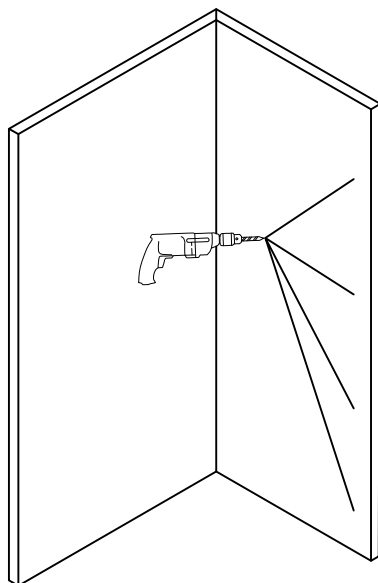
Wetroom Enclosure

Fig.1



Note: Cut the black EVA adhesive seal into 2 halves, and put them at top and bottom inside the wall profile to avoid the glass hitting the screw heads.

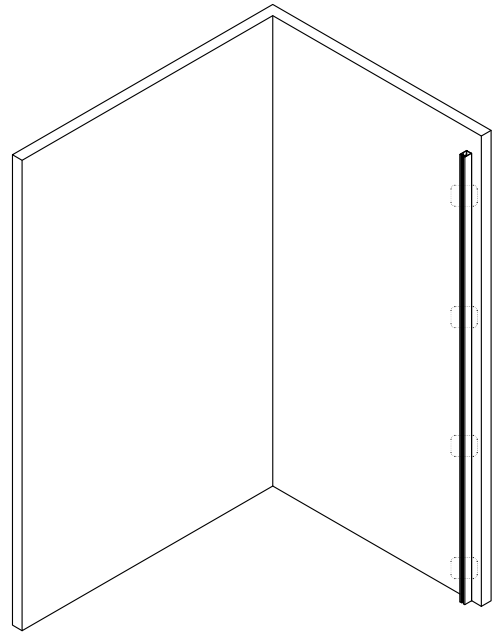
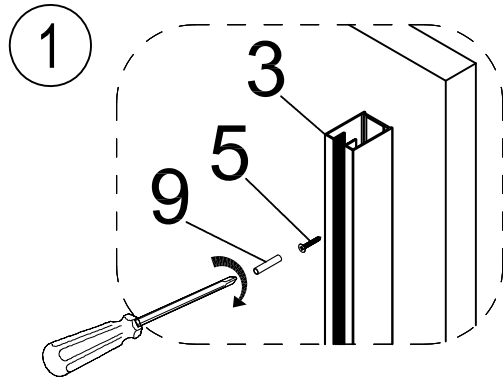
Fig.2



Assembly Instructions

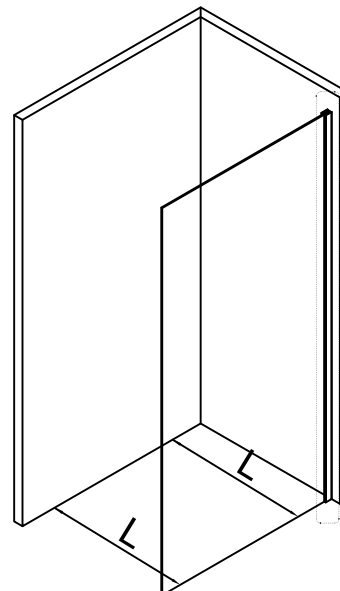
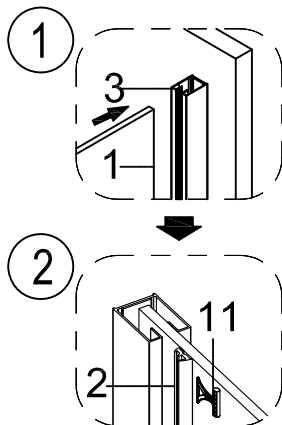
Wetroom Enclosure

Fig.3



Note: since the opening slot of the wall profile (3) is narrow, please use the plastic tube (9) to help hold the screws (5). Make sure the screws are fully turned into the wall to avoid the screw hitting the glass.

Fig.4

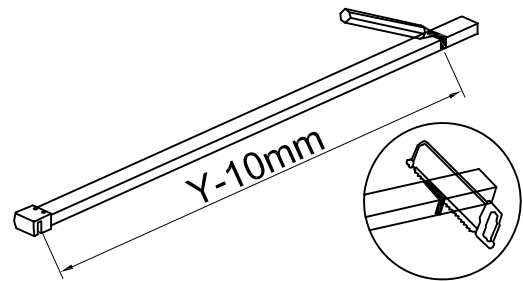
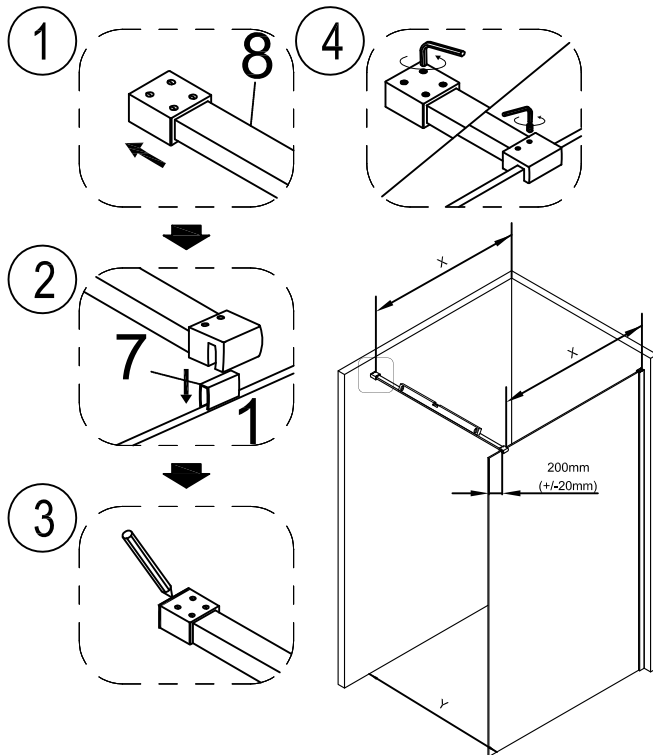


Note: Use the tool for rubber seal (11) to push the rubber seal (2) into the gap between the wetroom panel (1) and wall profile (3) from top to bottom, so that the wetroom panel is fixed tightly into the wall profile.

Assembly Instructions

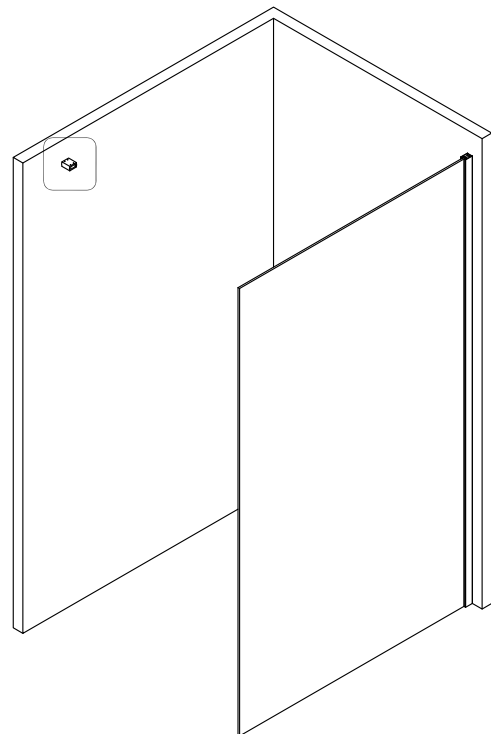
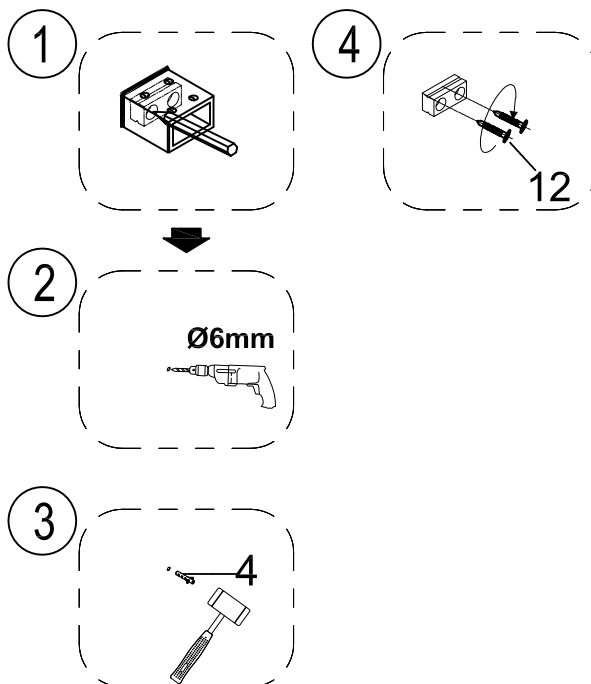
Wetroom Enclosure

Fig.5



Note: Measure the distance "Y" from the wall to the inside of the glass. Cut the support bar to "Y-10mm" as shown above.

Fig.6



Assembly Instructions

Wetroom Enclosure

Fig.7

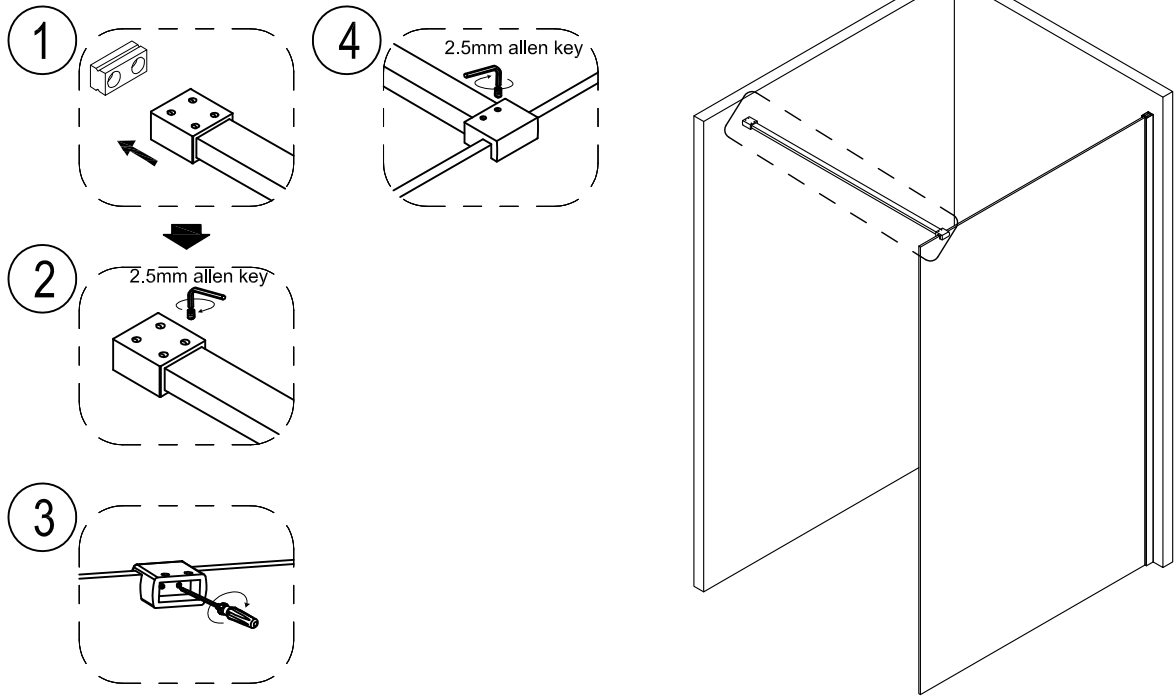
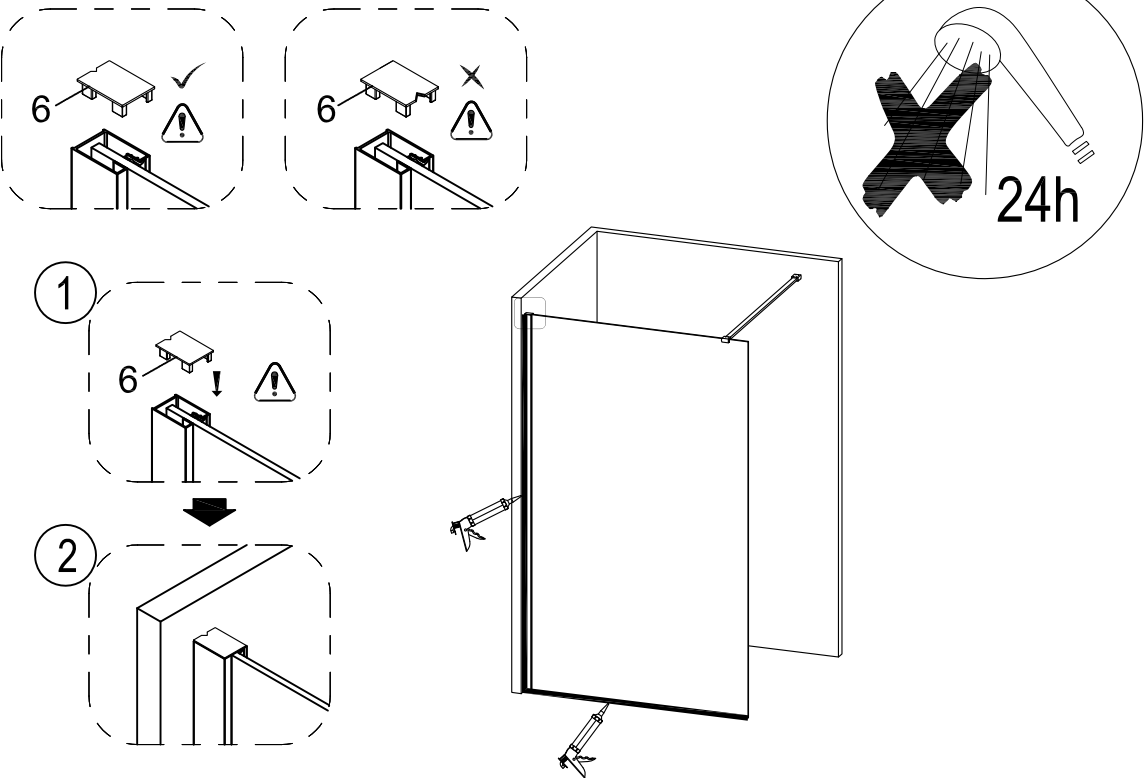


Fig.8



Assembly Instructions

Wetroom Enclosure

Care & Use

Soapy water is adequate to keep the glass clean, although glass cleaner can be used if required. Scourers, abrasives and chemical cleaners can damage the glass and pattern, and should not be used.

In hard water areas, insoluble lime salts may be deposited on the glass. If this is allowed to build up it becomes increasingly difficult to remove and looks unsightly. Regular cleaning will minimize this effect.