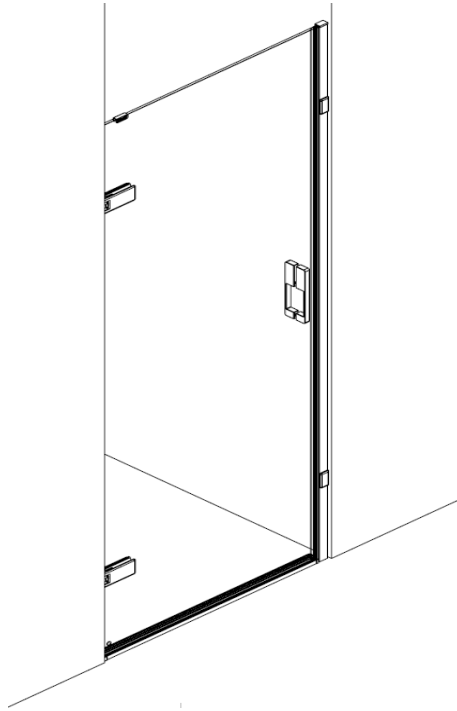


# Liberty Hinge Door For Alcove KL / TL



## Handling

Be aware toughened glass can shatter if not handled correctly. It should not be subjected to any sharp impact and it is essential to protect the glass by resting it on a soft protective surface during installation such as cardboard or carpeting. It is recommended to wear PPE at all times during installation.



## Pre-Installation Checks

1. Please take time to read these instructions prior to installing your product, including the Tray Sizes section below.
2. Check you have the correct product, by looking at the labels on the side of the product packaging.
3. Check all the product components and fixing kits are in the box - these are listed on the next page.
4. Please check the product for defects or damage, once the installation has commenced we cannot accept responsibility for any defects or damage.
5. Before you commence any drilling check there are no hidden electrical cables and/or water pipes.
6. No attempt should be made to re-work the toughened safety glass.
7. The installation of the product should be performed by two persons.
8. It is strongly recommended the product is fitted on a tiled surface or similar waterproof surface - which are tiled and grouted before product is installed.
9. It is strongly recommended that the walls the product is going to be installed on are vertical, and the floor/tray is level.
10. Please note that some natural misting may occur when you remove this product from its packaging, due to the addition of the glass protection pre-coating. If this does occur this can easily be removed with a soft, dry cloth.

## Tray Sizes

Important: You MUST measure your tray before you proceed with installation. Liberty Products have been designed to fit on standard Roman trays which have only been tiled over by 10mm at a maximum, If your tray exceeds this given value, you may need a bespoke product. The 'Adjustment' displayed in the brochure or on your bespoke customer drawing is the required Alcove tray size - this is at MID Adjustment unless stated otherwise.

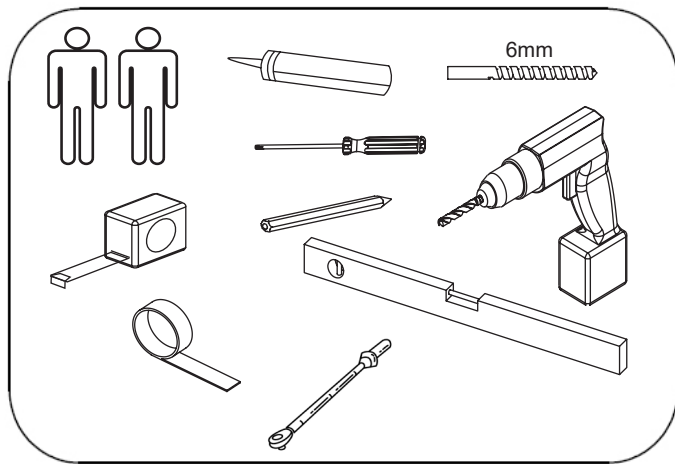
Refer to Step 1 for a guide on how to measure your tray accurately before proceeding any further - Roman will not be liable if you begin installation without correctly measuring your tray, to the realisation it doesn't fit.

## Consumer Guarantee

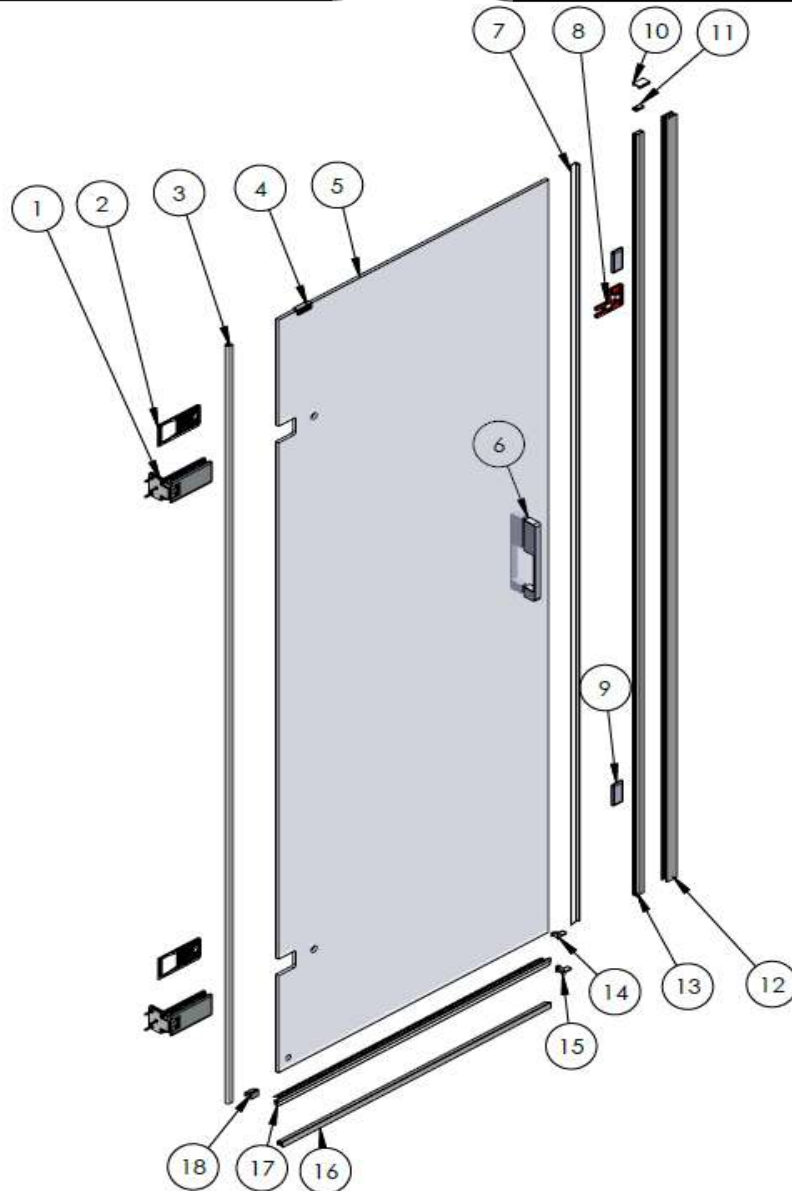
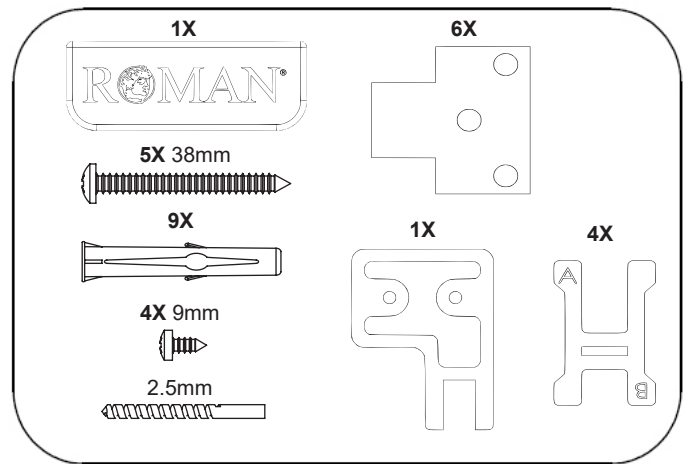
Please make sure the purchaser/end user completes and returns the guarantee card which is enclosed with this product. Failure to validate the Guarantee will mean only the 1 Year Statutory Guarantee will apply.



## Equipment Checklist: Not Supplied



## Fixing Kit Components

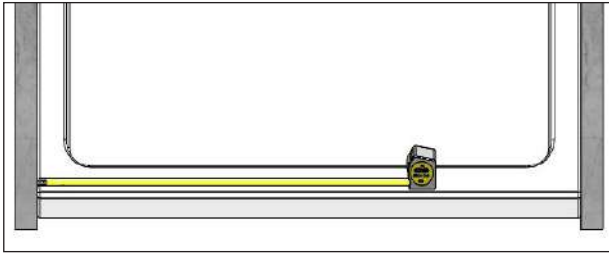


No.	Description	Qty.	No.	Description	Qty.
1	Glass to Wall Hinge Assemblies	2	11	Seal Carrier Top Cap	1
2	Replacement Backplate	2	12	Wall Profile	1
3	Bubble Seal	1	13	Seal Carrier Profile	1
4	Branding Badge	1	14	RH Bottom Rail Door Joint	1
5	Door Glass	1	15	LH Bottom Rail Door Joint	1
6	Door Handle	1	16	Door Bottom Rail	1
7	Vertical Seal	1	17	Deflector Seal	1
8	Wall Marker	1	18	Wall to dam Joint	1
9	False Cover	2			
10	Top Cap	1			

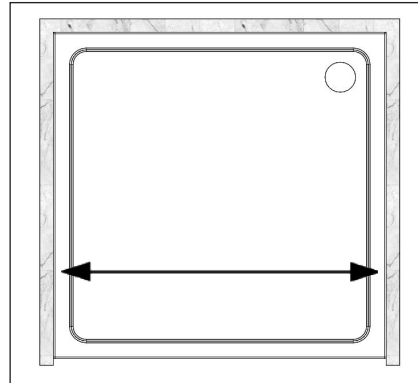
## Step 1 - Tray Sizes

Your area must be tiled and grouted before measuring your tray - refer to your tray installation instructions and ensure this is done correctly. This is because tray measurements are taken from the tiled wall. Once tray installation is complete you can proceed to measuring the area. Liberty Products have been designed to fit on trays which have been tiled over by 10mm **maximum** (each wall). The tables below show the range of tray widths which will allow for correct fitment - this is for standard products only. For Bespoke products please refer to your customer drawing for the MID Adjustment of the Door, this is the required Alcove size.

Door Code	Tray Width
KL7613 / TL7613	735mm - 745mm
KL813 / TL813	775mm - 785mm
KL913 / TL913	875mm - 885mm
KL1013 / TL1013	975mm - 985mm



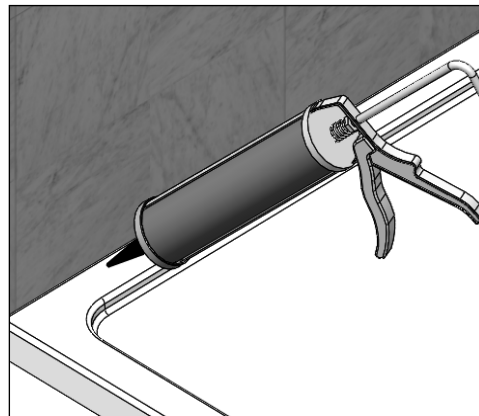
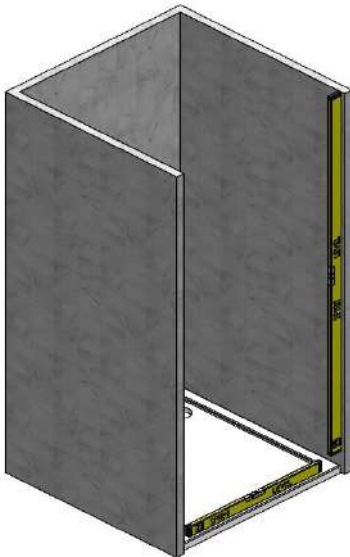
Measure from one tiled wall to the other.



Use the table above and measure the Tray. We recommend measuring the bottom, middle and top across a 2000mm height.

If your tray exceeds the given amount for your product size, you may need a bespoke product.

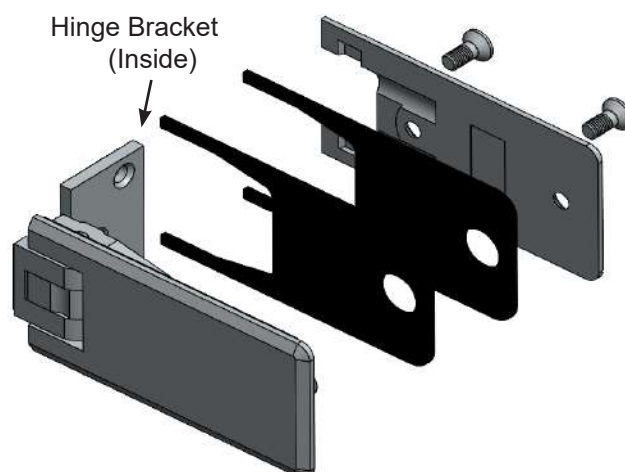
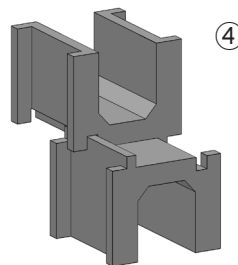
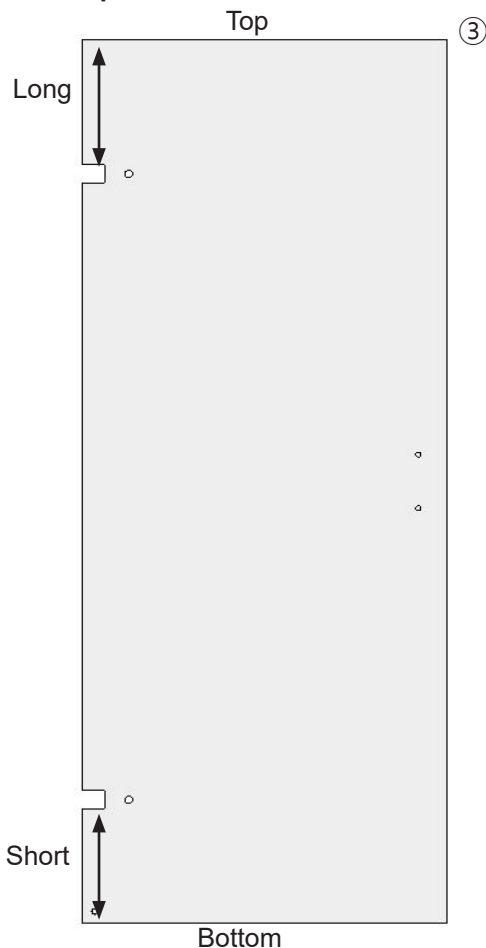
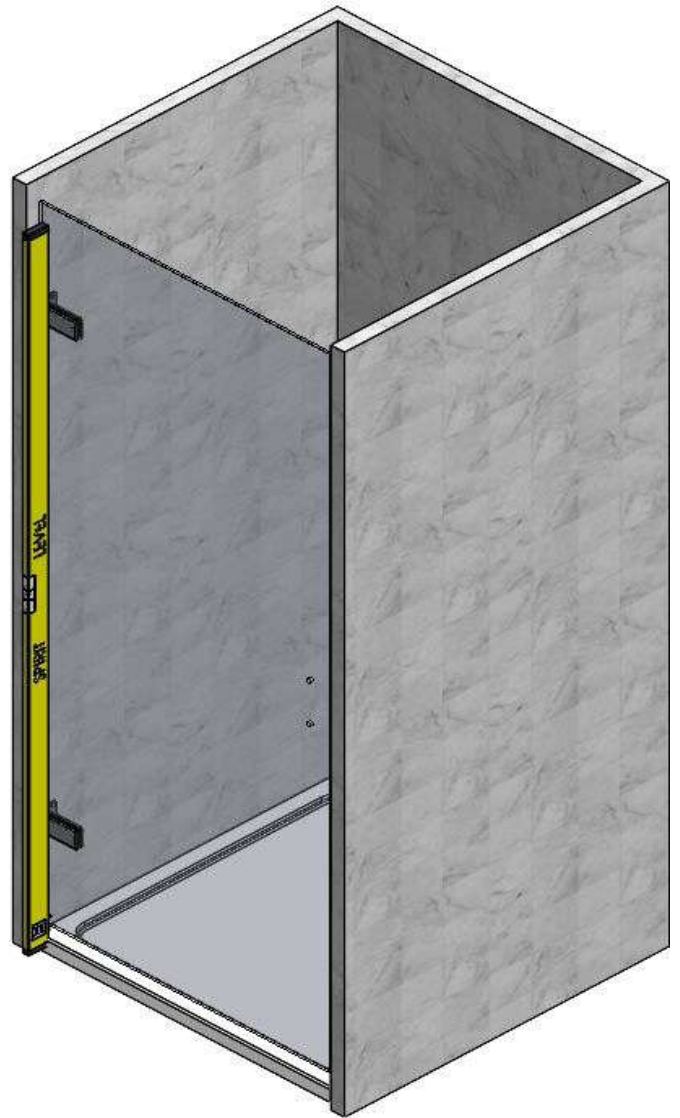
## Step 2 - Pre-Installation Checks



1. Make sure the tray is installed as per the manufacturer's instructions.
2. Check your Tray and Walls are level on all sides (the bubble on the spirit level must be in the centre of the 2 lines).
  - If the Walls & Tray are not level you will not achieve the +/- 7mm of adjustment.
3. Stand in the tray and check that there is no adverse movement (correct if necessary).
4. The walls should be tiled and grouted up to the tray.
5. The tiles and the tray should be sealed using a good quality bathroom sealant:
  - Spray the seal and joints with the shower head and check for leaks when the silicon has cured.
  - Check the plumbing for leaks.
  - DO NOT plasterboard over the tray.
  - DO NOT grout the tiles when the enclosure has been fitted, the grout may discolour the aluminium profiles.

### Step 3 - Door Hinge Position

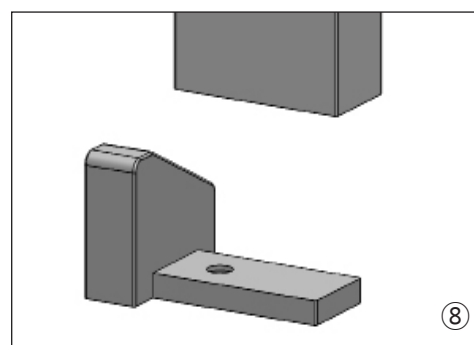
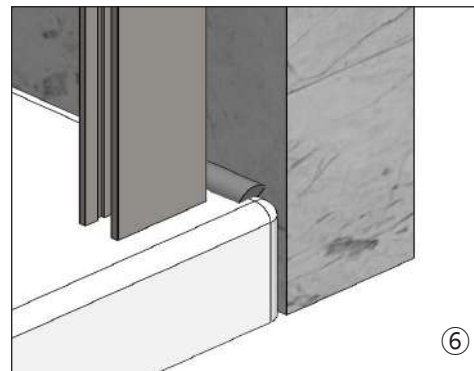
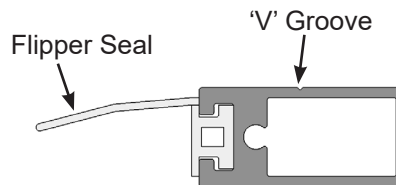
1. Mark 8mm in from the outside edge of the tray using a tape measure and mark the Wall using a pencil, this will be the hinge position.
2. Place a Spirit Level onto the pencil mark and add a pencil line fully up the wall.
  - **Placing some Masking Tape on the Tiled Wall at the position where the Hinges are to go will not only help with marking out but will also help protect the tiles when drilling.**
  - **Use the Spirit Level is completely vertical when marking the wall.**
3. Make sure you have the Door Glass the correct way then carefully dismantle the Door Hinge Assemblies and fit to the glass ensuring all gaskets are fitted.
  - **IMPORTANT: If you have have purchased an 8mm product use TWO gaskets either side of the glass (one thick and one thin), if you have purchased a 10mm product use ONE thicker gasket either side of the glass.**
  - **IMPORTANT: If you have have purchased a product with a print, please ensure you fit the print on the outside**
4. Take the Red Door Setting Blocks and slide them together to create 2 small assemblies. Position them on the tray where the Door is going to go.
5. Lift the Door assembly onto the Red Setting Blocks and up to the wall.
6. Line the outside of the Hinge Bracket onto the pencil line ensuring it is kept completely vertical.
7. Mark the wall through the holes in the Hinge Bracket.
8. Remove the Door Assembly then drill the wall with a 6mm masonry drill (not supplied). Remove the Masking tape and fit the Wall Plugs and remove any debris.
9. Carefully remove the Hinge Assemblies from the Door Glass.
  - **IMPORTANT: We recommend that 2 people do the operations as shown above.**



## Step 4 - Wall Profile Position

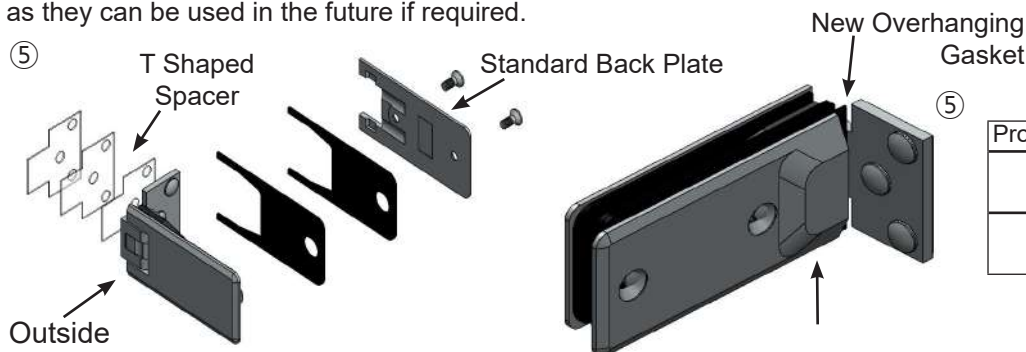
**IMPORTANT:** 8mm Products have the same Wall Profile and Seal Carrier as a 10mm Product. Make sure the Profiles are fitted on the side where the Door is going to close.

1. Measure 10mm in from the outside edge of the Tray, and mark the Wall with a Pencil.
2. Place a Spirit Level onto the pencil mark and add a pencil line fully up the wall.
  - **Placing some masking tape where the Wall Profile will go will help with marking out and protect the tiles when drilling**
  - **Use the Spirit Level and ensure the pencil line is completely vertical.**
3. Place the inside of the Wall Profile onto the pencil line making sure that it is fully vertical.
4. Mark the Wall through the holes in the Wall Profile.
5. Remove the Profile, and drill with a 6mm masonry drill (not supplied). Then proceed to remove the masking tape and fit the Wall Plugs.
  - **Remove any debris.**
6. Apply a bead of sealant the width of the Panel Profile where it meets the top of the tray and the tiled wall.
7. Place the Wall Fixing screws into the holes in the Panel Profile, lining them up with the holes in the Wall and tighten all screws.
8. Fit the Bottom Rail Door Joint (choose the correct hand) to the base of the Seal Carrier Profile using the 9mm countersink screws (supplied).
  - **IMPORTANT: The Seal Carrier Profile has a small "V" groove running down it's length. Ensure the "V" groove is to the inside of the shower.**
9. Slide the Door Flipper Seal into the Seal Carrier Profile and fit the Seal Carrier Top Cap using the 9mm countersink screws (supplied).



## Step 5 - Fitting the Door

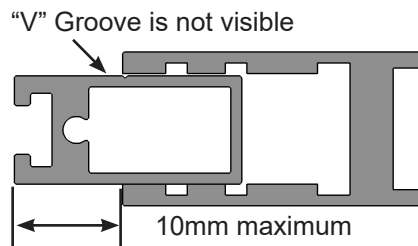
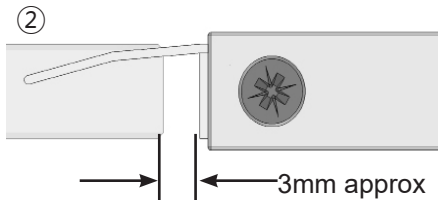
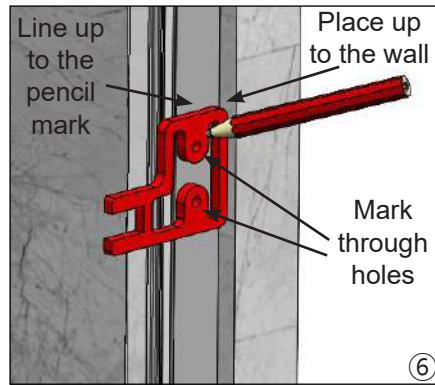
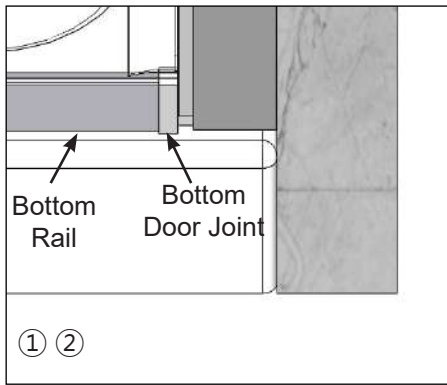
Note: This Product comes supplied with a different Backplate (x2) which is to help with Water Integrity - these are optional however strongly recommended especially if the Drencher is located in a position where Water will be aimed towards the Hinges. This Backplate will make the Door Outward Opening Only. If you decide not to fit these at this point, still keep them as they can be used in the future if required.



Product Thickness	Gaskets Required
8mm	2 Gaskets either side of the Glass
10mm	1 Thinner Gasket either side of the Glass

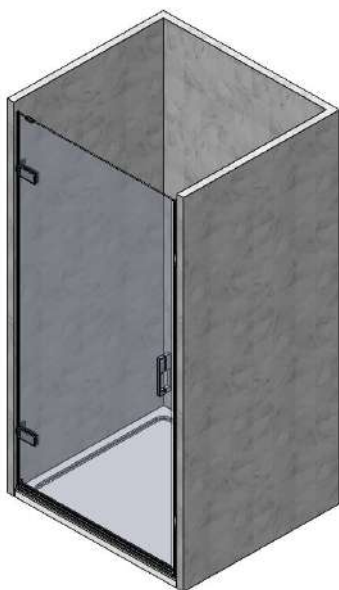
1. Fasten the Hinges to the Wall using the countersink screws supplied.
2. Remove the screws from the back of the hinges, then remove the backplate and ensure there is the correct amount of gaskets on each hinge ([See Table](#))
  - **Note: With the replacement back plate fitted, the product is outward opening only.**
3. Take the Door Setting Blocks and slide them together to create 2 small assemblies. Position them on the tray where the Door is going to go.
4. With the Door Glass the correct way round offer it onto the Hinges and onto the Red Setting Blocks
  - **IMPORTANT: If you have purchased a product with a print, please ensure you fit the print on the outside.**
5. If you are using the new Backplate, you must replace the back plate (as shown above) and swap out 1 gasket from the hinge with new over hanging gasket onto the Hinges and fully tighten the countersink screws. If you arent, fit the standard Backplate with enough Gaskets as shown.
  - **IMPORTANT: Tighten the 4 Hinge fixing screws to 10N/m using a torque wrench.**
  - **Note: Included with the Product are 6 'T' Shaped Spaces. These are intended to help with out of true Walls.**
6. Remove the Handle Assembly from it's packaging and reassemble onto the Door Glass, ensure that the set screws are fitted on the inside of the Door and all gaskets are used between the glass and metal parts.

## Step 5 - Fitting the Door Continued

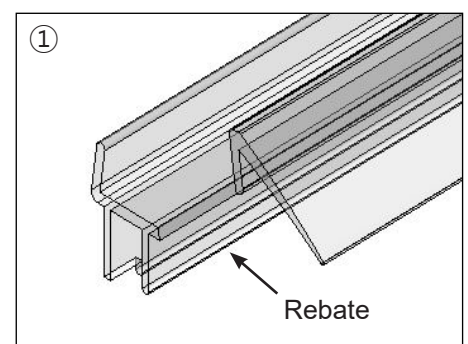
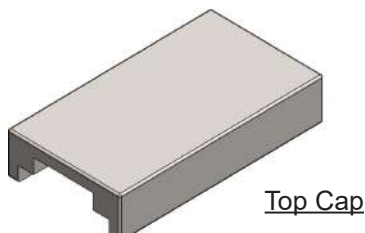


- Put the now assembled Seal Carrier Profile into the Door Wall Profile and place over the Door Bottom Rail.
- Keep the assembled Seal Carrier parallel to the Door Glass and place so that the Bottom Rail butts up to the inside of the Bottom Rail Door Joint.
  - NOTE: The gap between the Door Glass and Seal should be 3mm approximately.**
- Check that the "V" Groove on the Seal Carrier Profile is NOT visible. If the "V" Groove IS visible then you need to adjust the position of the Panel (as stated in Step 4) to make sure the "V" Groove is not visible.
  - VERY IMPORTANT: If the "V" Groove is visible then the Seal Carrier Profile will NOT be able to be secured.**
- Attach some Masking Tape to the front of the Door Wall Profile in the areas opposite the Hinges.
- Place the top of a Spirit Level to the top edge of a Hinge keeping it horizontal. Position the level so it is over the Masking Tape and add a line using a pencil, do the same for the other Hinge.
- Place the top edge of the Wall Marker on the line on the Masking Tape, ensure that the Wall Marker is pushed fully up to the wall. Mark through the two holes onto the Masking Tape. Repeat for the other.
- Ensure the Seal Carrier Profile is still parallel to the Door Glass and the "V" Groove is NOT visible. With the 2.5mm drill bit (supplied) drill through the Wall Profile accurately into the Seal Carrier Profile. Remove the Masking Tape and secure the Profiles together using the 9mm Cap Head Screws (supplied)
- Remove the Release Paper from the back of the False Covers, Position so the top edge is in line with the top of the Hinges. Place them so they touch the wall then attach to the Door Wall profile.

## Step 6 - Fitting the Seals

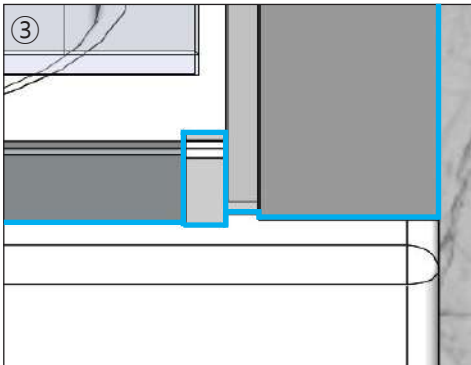
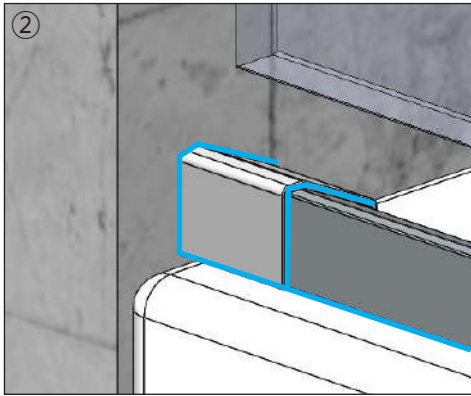


- The Bottom Seal requires a rebate at one end only (Handle side). Fit the Bottom Seal so that the rebated end is level with the glass at the Handle side of the door and cut it to length so that it butts up to the Hinge Vertical Extrusion when the Door is closed. Push fully onto the glass.
- Fit the Bubble Seals to the Hinge Side of the Door Glass, trim as required.
  - NOTE: The lower seal should sit as close to the top of the Wall to Dam Joint as possible.**
- Fit the Top Cap to the Wall Profile and the Branding Badge to the top of the Door Glass.
- Fit all the Cover Caps to the screws to the Hinges, Wall Brackets and Bracing.

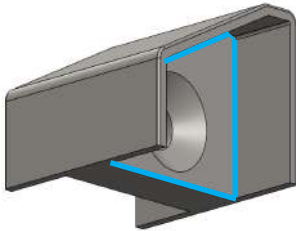


Seals Hidden for Visual Purposes

## Step 7 - Sealing



Wall to Dam Joint



1. Lift the Wall to Dam Joint and place a bead of silicon to the base, add a bead of silicon on the inside of the Wall to Dam Joint at the side that goes over the rails and refit.
2. Place a bead of silicon around the top of the Wall to Dam Joint and up the sides.
3. Place a bead of silicon around the top of the Bottom Door Joint and up the sides.
4. Seal the base of the enclosure horizontally on the outside only where it meets the tray/wetroom floor.
5. Seal the Wall Profile all the way up from the tray/wetroom floor on the inside and outside.
  - **Do not seal along the base on the inside, failure to comply may result in leakage.**
  - **Please allow 24 hours for the sealant to fully cure before using the enclosure.**
  - **IMPORTANT: Failure to follow the above may result in serious water damage and will not be covered under the terms of the guarantee.**

# Trouble Shooting Guide

Should you experience any problems during installation please refer to the Trouble Shooting Guide or contact Customer Relations on:  
+44 (0) 1325 328033

To enable customer relations to provide you with an excellent level of service it is important that you quote your product Code and Reference Number - these can be found on the Guarantee card.

Problem	Solution
Leaking	<ol style="list-style-type: none"><li>1. Check that the inside gap between the Tray and Wall profile has been sealed correctly.</li><li>2. Ensure the tray is sealed along the tiled walls prior to installation.</li><li>3. If the inside joint between the enclosure and the tray top is sealed, this will cause leakage - sealant must be removed.</li><li>4. Ensure the joint between the enclosure and tray top is sealed on the outside.</li><li>5. Ensure that there are no gaps in the corners.</li></ol> <p><u>Important: This enclosure should be water tested conforming to BS EN 14428</u></p>
Enclosure Alignment on Tray	<ol style="list-style-type: none"><li>1. Have you read and understood Step 1 of the instructions?</li><li>2. Is the enclosure fitted onto a tiled wall?</li><li>3. Is the wall profile &amp; hinges completely vertical?</li></ol>
Door not operating correctly	<ol style="list-style-type: none"><li>1. Ensure both Hinge Assemblies are completely vertical.</li><li>2. Adjusting the Set screw on the inside of the Hinges can help.</li><li>3. Ensure the tray is completely level.</li><li>4. Check the bottom of the door is parallel to the top of the tray.</li></ol>
Door Alignment	<ol style="list-style-type: none"><li>1. Ensure the Hinge Assemblies are completely vertical.</li><li>2. Ensure you have read and understood Step 1 of the instructions.</li><li>3. Check the bottom of the Door is parallel to the top of the Tray.</li><li>4. Check the Hinge Screws have been fully tightened to 10N/m.</li></ol>

## Important Information to help you maintain your Product:

The following information is all you need to keep your product looking new.

Our products are generally maintenance free, however it may be necessary to lubricate wheel assemblies and other moving parts such as hinges from time to time.

Clean your product using a mild detergent diluted in water and then polished off using a soft cloth.

If you live in a hard water area, periodically clean your product using a 50/50 solution of white vinegar and water. The solution should be left on the enclosure for approximately 5 minutes then rinsed off using warm water. This method of cleaning should remove lime scale residue.

It is strongly recommended that a quality silicone spray is used.

## A list of Donts

1. Don't use acidic based products which are unsuitable for cleaning enamel surfaces.
2. Don't use abrasive cleaners or cleaners using bleach or solvents, these products will adversely affect the finish of the aluminium profiles.
3. Don't use scouring pads, powder or any sharp instruments when cleaning the enclosure.