

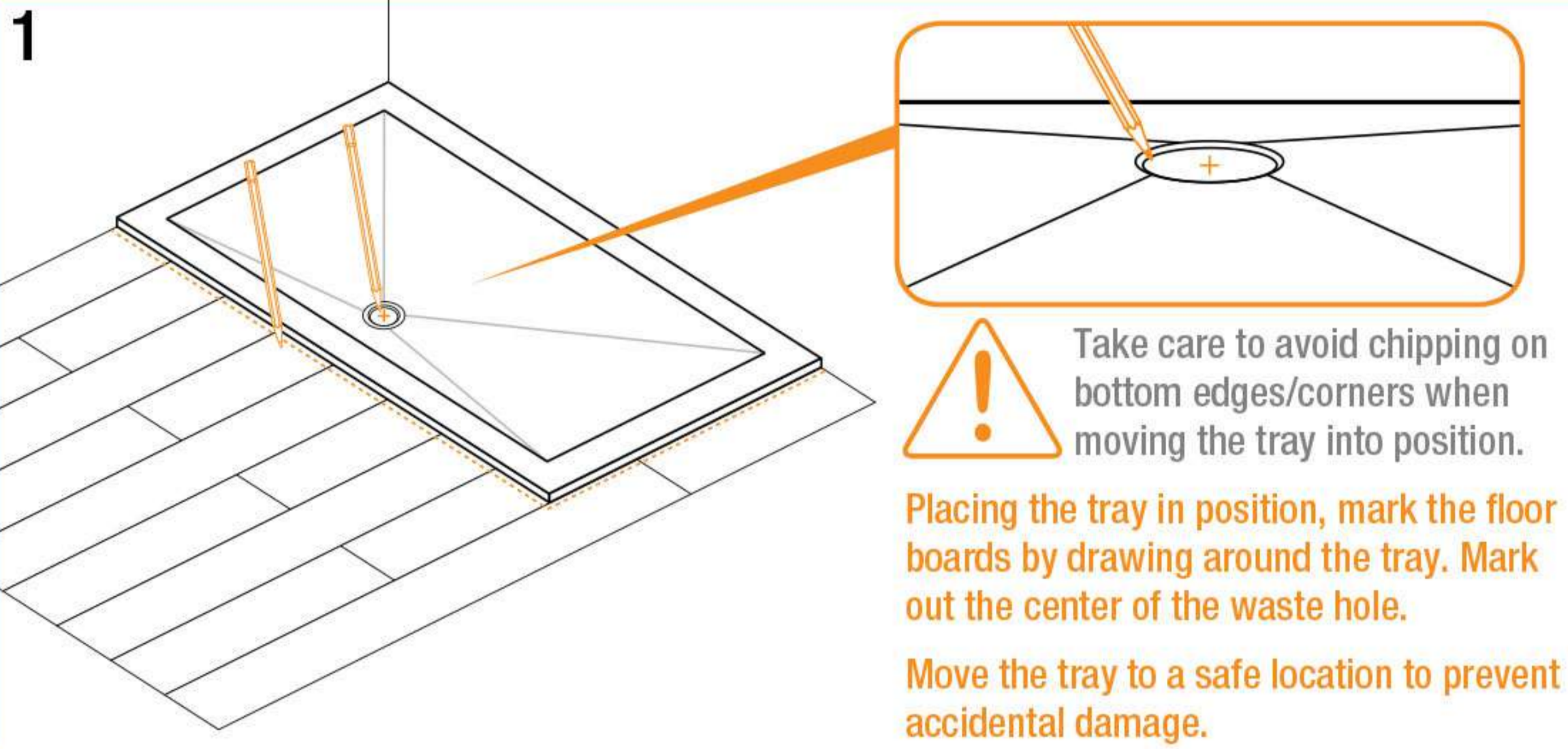
# IMPORTANT INFORMATION - PLEASE READ FIRST

- This tray is handmade from natural materials. It is possible it may not be perfectly flat (approx 5mm tolerance) or may vary in thickness.
- Check the product thoroughly prior to fitting. Unfortunately no claims for imperfections can be made once the tray has been installed.
- The tray must be fitted **STRICTLY** in accordance with the installation instructions. Failure to fit and maintain the product as per the instructions will invalidate the guarantee and possibly lead to long term damage.
- The use of any materials other than those specified in the fitting instructions could result in the shower tray failing, invalidating the guarantee (eg. silicon or tile adhesive are not suitable as they allow flex and movement underneath the tray).
- Fit **ONLY** the waste unit supplied. Fitting any other waste unit may lead to a reduction in water flow.
- High water pressure and 'deluge' shower heads can result in water flow rates exceeding the waste unit capacity (approximately 30 litres per minute).

- This shower tray and waste unit combine to achieve European EN274 approval for water drainage. They are designed to provide a water flow of over 30 litres per minute. Failure to fit the waste unit provided exactly in accordance with the fitting instructions may reduce water flow and create drainage problems.
- For cleaning information refer to the 'Cleaning and Maintenance' section.
- There should be no movement in any wooden surface supporting the tray (see fig 3 - Wooden floor installation). Any movement should be prevented by adding noggins between floor joists where necessary. Any movement beneath the tray will eventually lead to cracking and will invalidate the guarantee.
- Do not allow any items such as flannels, sponges etc., to obstruct the waste cover during showering, this could lead to overflowing.
- For further information please visit [www.tmuk.net](http://www.tmuk.net)

## FITTING INSTRUCTIONS - WOOD FLOOR

**1**

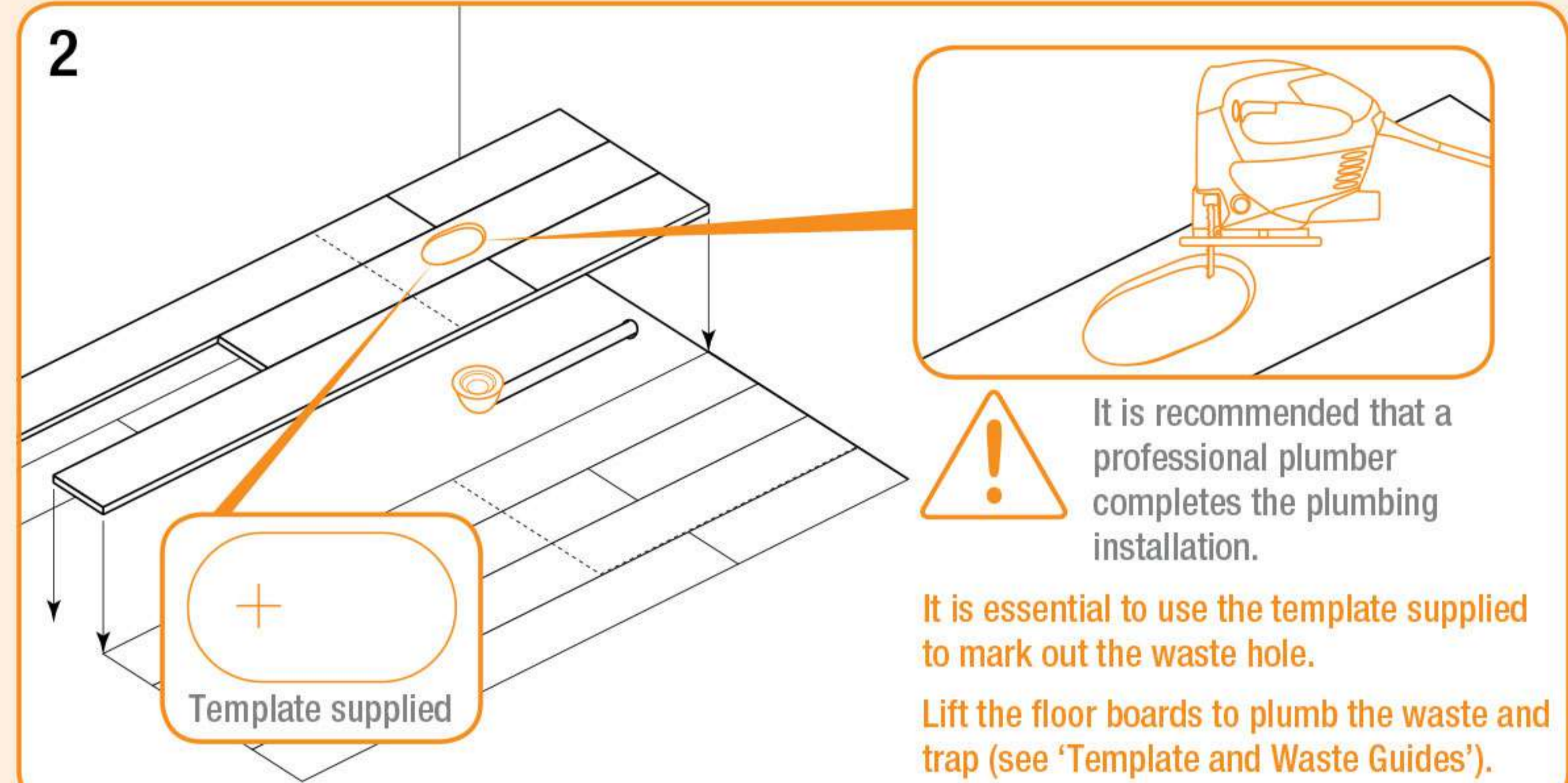


Take care to avoid chipping on bottom edges/corners when moving the tray into position.

Placing the tray in position, mark the floor boards by drawing around the tray. Mark out the center of the waste hole.

Move the tray to a safe location to prevent accidental damage.

**2**

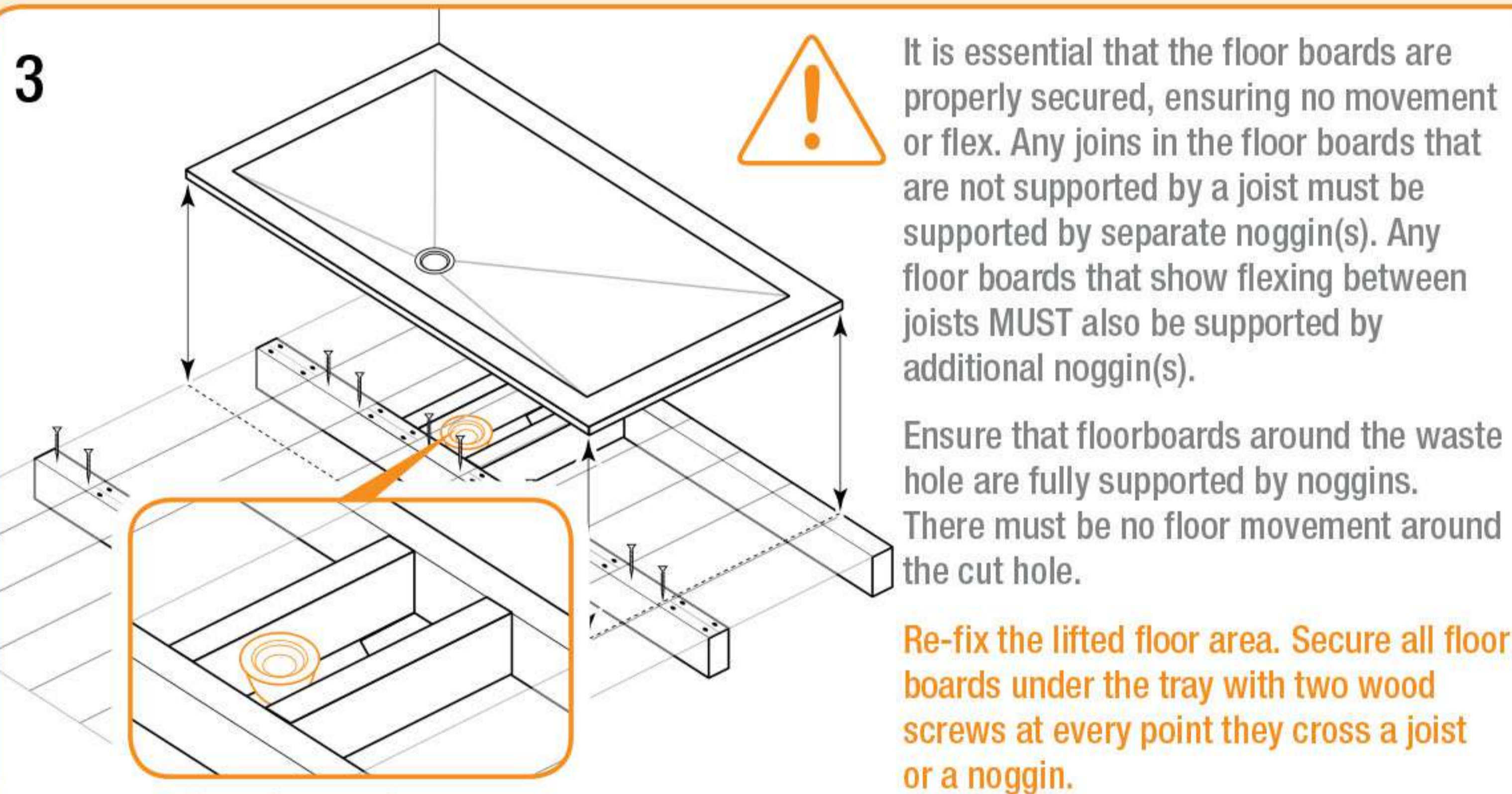


It is recommended that a professional plumber completes the plumbing installation.

It is essential to use the template supplied to mark out the waste hole.

Lift the floor boards to plumb the waste and trap (see 'Template and Waste Guides').

**3**

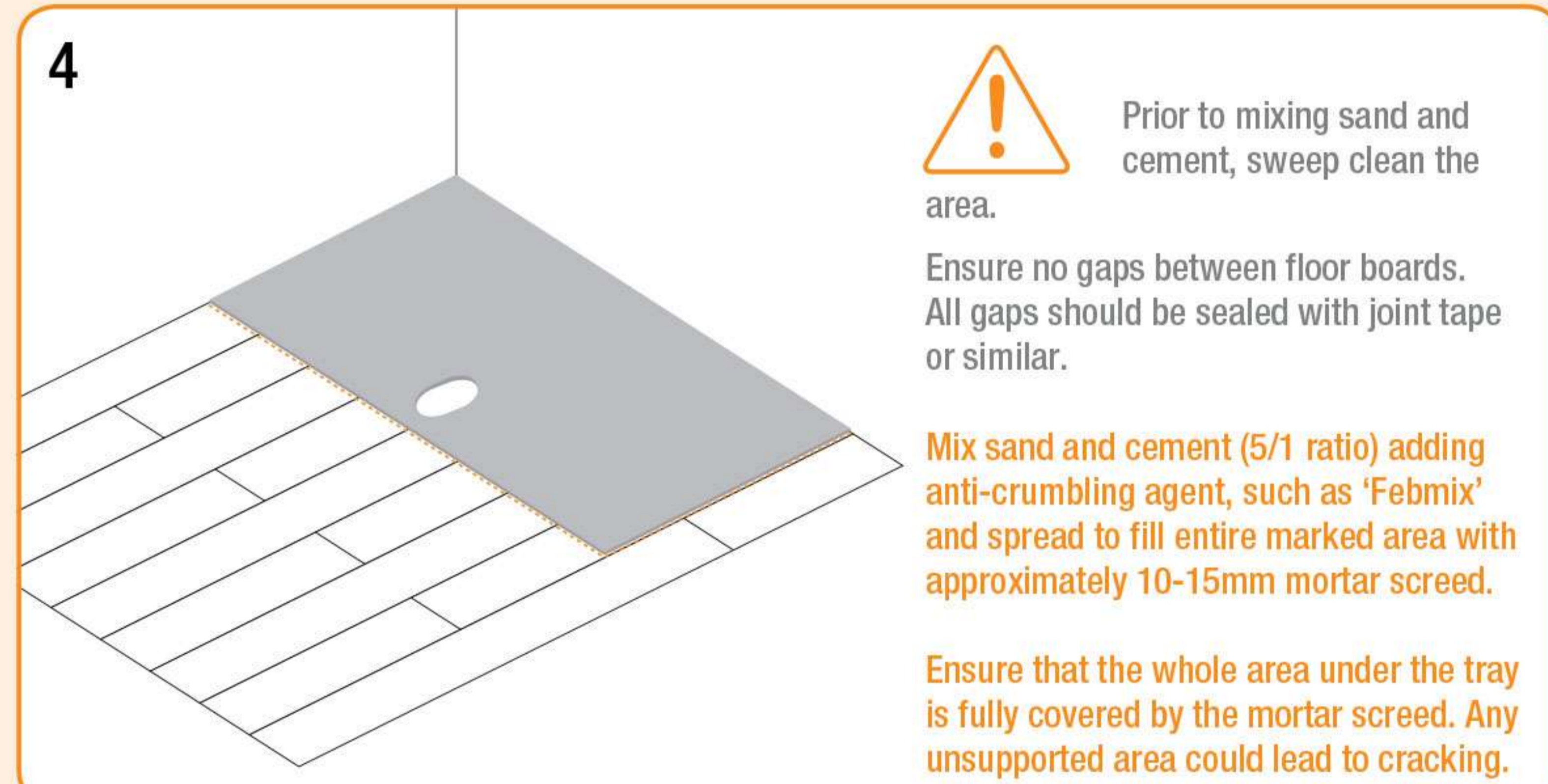


It is essential that the floor boards are properly secured, ensuring no movement or flex. Any joins in the floor boards that are not supported by a joist must be supported by separate noggin(s). Any floor boards that show flexing between joists **MUST** also be supported by additional noggin(s).

Ensure that floorboards around the waste hole are fully supported by noggins. There must be no floor movement around the cut hole.

Re-fix the lifted floor area. Secure all floor boards under the tray with two wood screws at every point they cross a joist or a noggin.

**4**



Prior to mixing sand and cement, sweep clean the area.

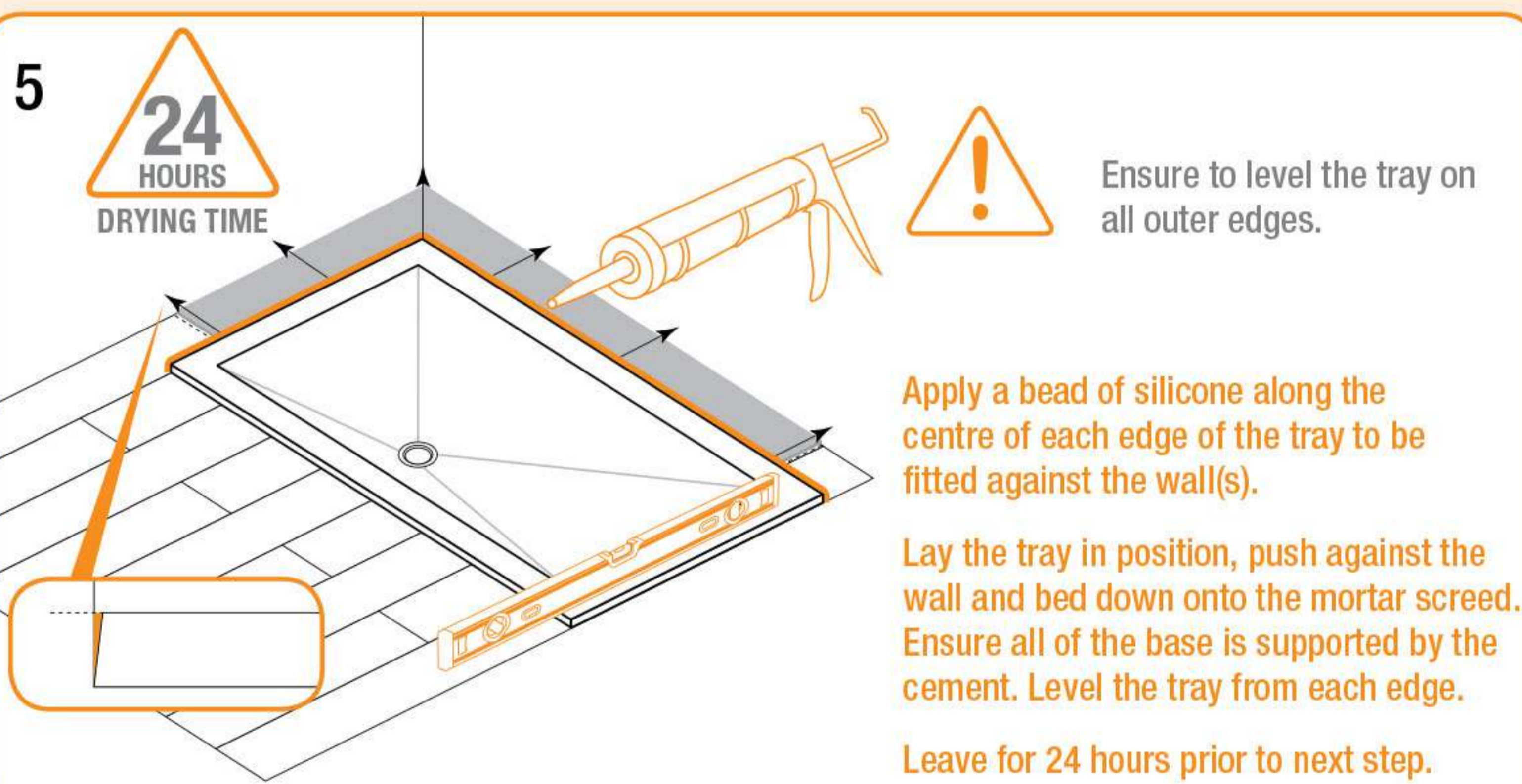
Ensure no gaps between floor boards. All gaps should be sealed with joint tape or similar.

Mix sand and cement (5/1 ratio) adding anti-crumbling agent, such as 'Febmix' and spread to fill entire marked area with approximately 10-15mm mortar screed.

Ensure that the whole area under the tray is fully covered by the mortar screed. Any unsupported area could lead to cracking.

**5**

**24 HOURS DRYING TIME**



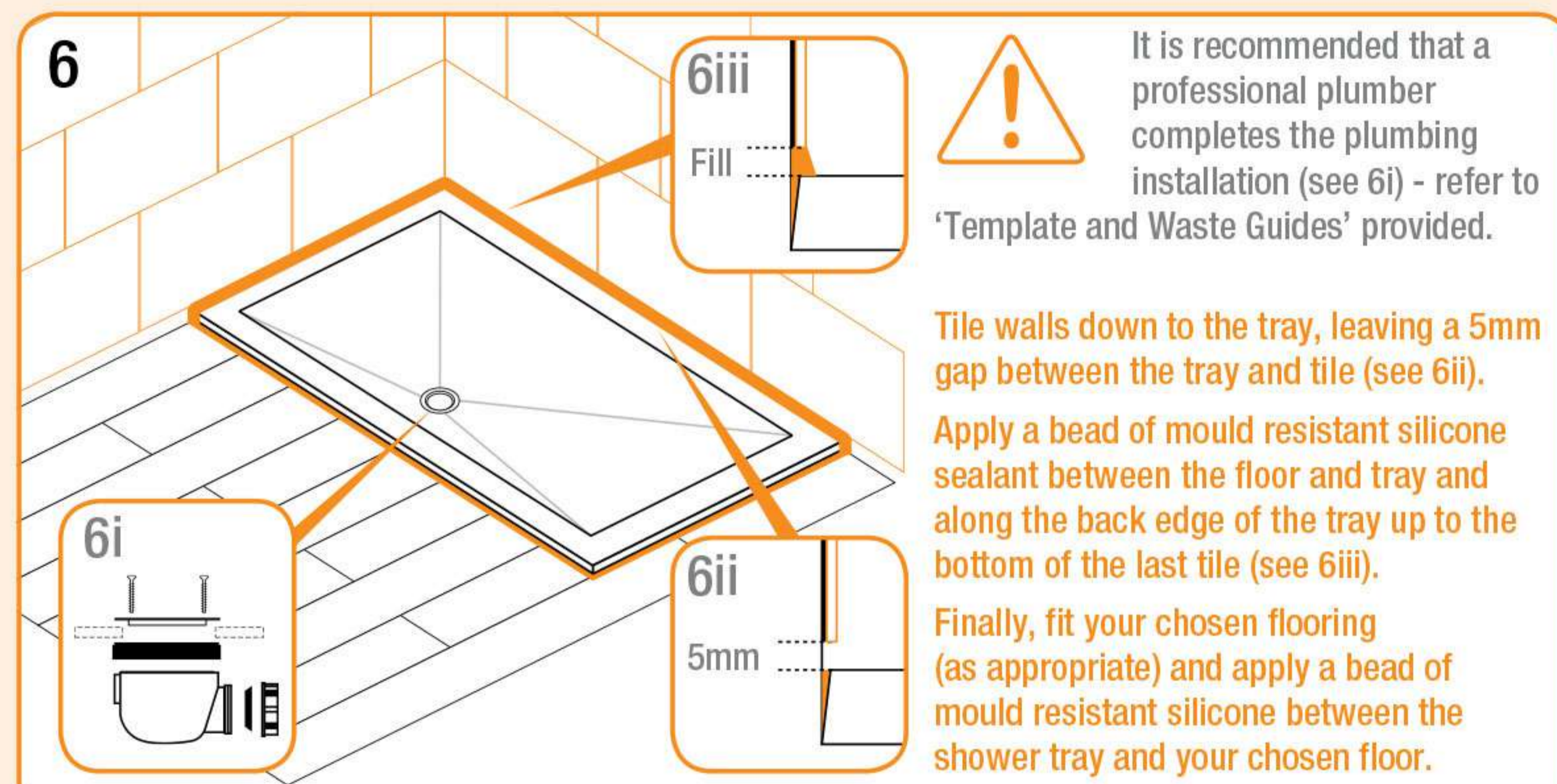
Ensure to level the tray on all outer edges.

Apply a bead of silicone along the centre of each edge of the tray to be fitted against the wall(s).

Lay the tray in position, push against the wall and bed down onto the mortar screed. Ensure all of the base is supported by the cement. Level the tray from each edge.

Leave for 24 hours prior to next step.

**6**



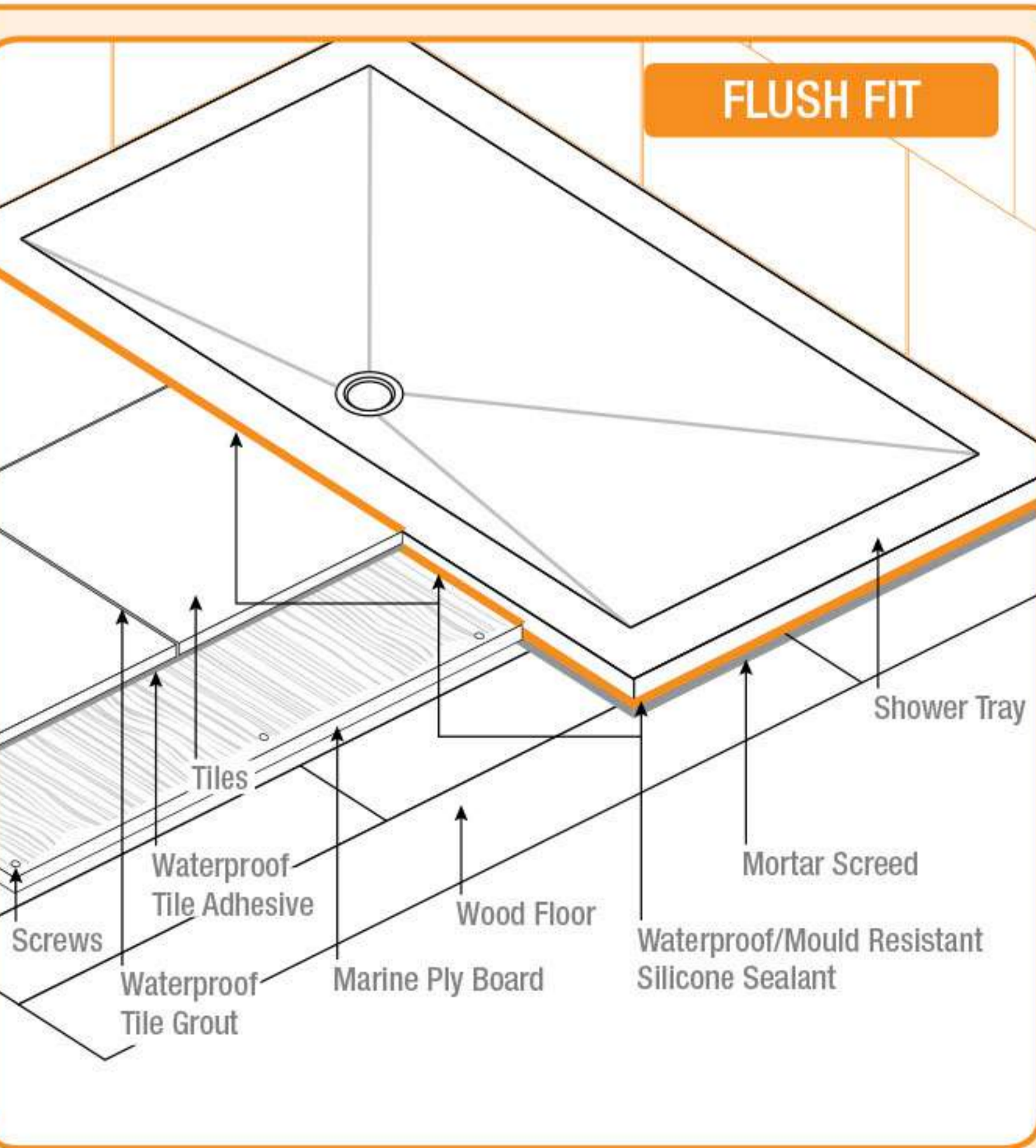
It is recommended that a professional plumber completes the plumbing installation (see 6i) - refer to 'Template and Waste Guides' provided.

Tile walls down to the tray, leaving a 5mm gap between the tray and tile (see 6ii).

Apply a bead of mould resistant silicone sealant between the floor and tray and along the back edge of the tray up to the bottom of the last tile (see 6iii).

Finally, fit your chosen flooring (as appropriate) and apply a bead of mould resistant silicone between the shower tray and your chosen floor.

**FLUSH FIT**

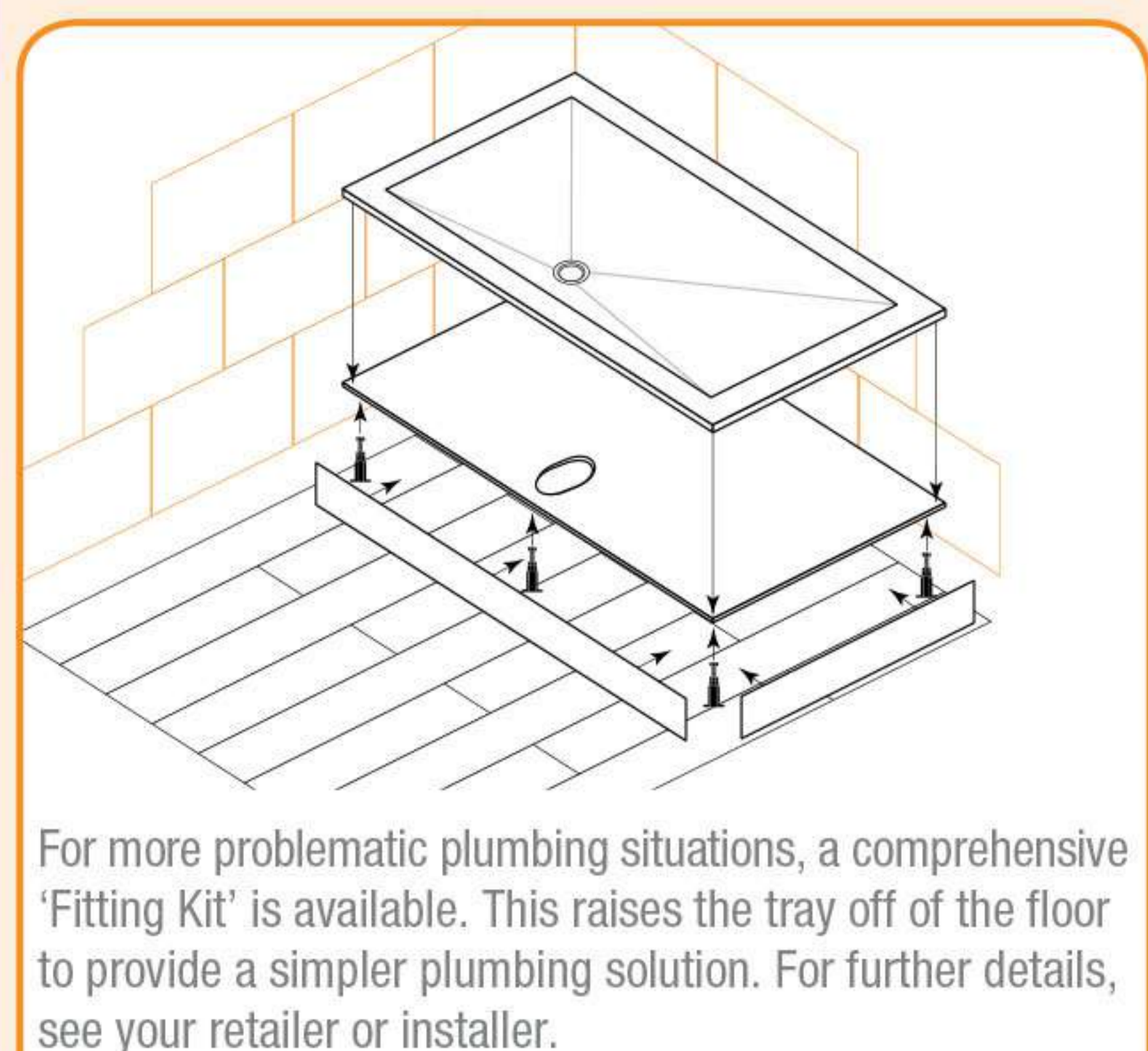


Labels: Tiles, Waterproof Tile Adhesive, Wood Floor, Mortar Screed, Shower Tray, Screws, Waterproof Tile Grout, Marine Ply Board, Waterproof/Mould Resistant Silicone Sealant.

## CLEANING AND MAINTENANCE

- CLEANING:** Clean regularly with a damp cloth or sponge and buff with a soft dry cloth. Occasionally use a **NON ABRASIVE** cleaner to remove stubborn stains and buff with car polish to give a perfect finish. Do not use stiff brushes, scourers or abrasive cleaners. These can damage the surface of the tray.
- LIMESCALE:** In hard water areas, limescale will mark the surface of the tray. To prevent this use a good quality water softener. Limescale can be removed with an application of automotive T-Cut followed by car polish (always use a soft dry cloth). Please note: constant repetition of this process is not recommended as it will gradually remove the gel coat surface.
- HAIR DYES:** Some hair dyes contain abrasive chemicals which can damage or mark the surface of the tray. It is essential to rinse all residue dye from the surface of the tray **IMMEDIATELY** after use to prevent damage.
- LIGHT SCRATCHES/MARKS:** Although the gel coat surface of your tray is extremely hard, it can be marked during showering by sand or other abrasive substances. To remove, apply automotive polish and buff with a soft cloth. More prominent marks or scratches (that have not exposed the resin below the gel coat surface) can be removed by first applying automotive T-Cut.
- DEEP SCRATCHES/CHIPS:** Sometimes heavy items can be accidentally dropped onto the tray surface exposing the resin beneath. This can be clearly identified as it is dark brown/grey in colour. To repair, firstly examine the area around the impact. If no cracks are detected, ask your retailer/installer for details of the shower tray repair kit. This consists of everything necessary to complete a satisfactory repair.
- RUBBER MATS:** These may cause marking on the surface of the tray as they sometimes react with soaps, shampoos, dyes etc. Although not recommended, they may be used providing they are always removed from the tray after showering and the tray surface rinsed down to wash away any residues/fragments of rubber.
- DO NOT OBSTRUCT WASTE COVER WITH MAT.**

## OFF THE FLOOR PLINTH



For more problematic plumbing situations, a comprehensive 'Fitting Kit' is available. This raises the tray off of the floor to provide a simpler plumbing solution. For further details, see your retailer or installer.