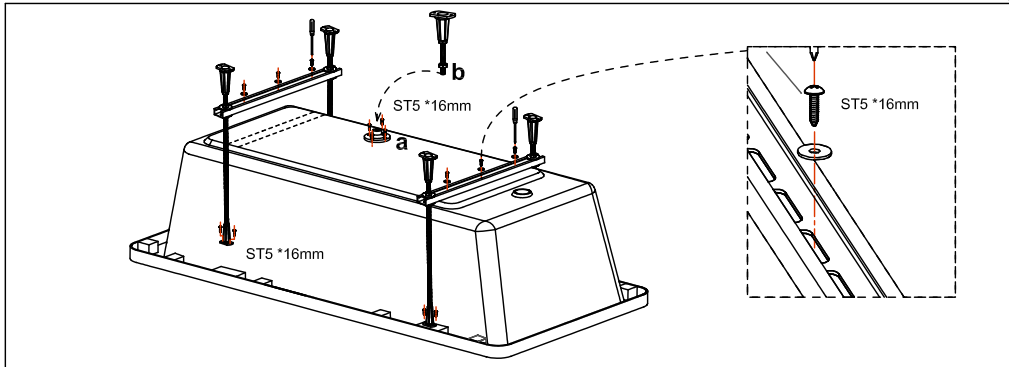


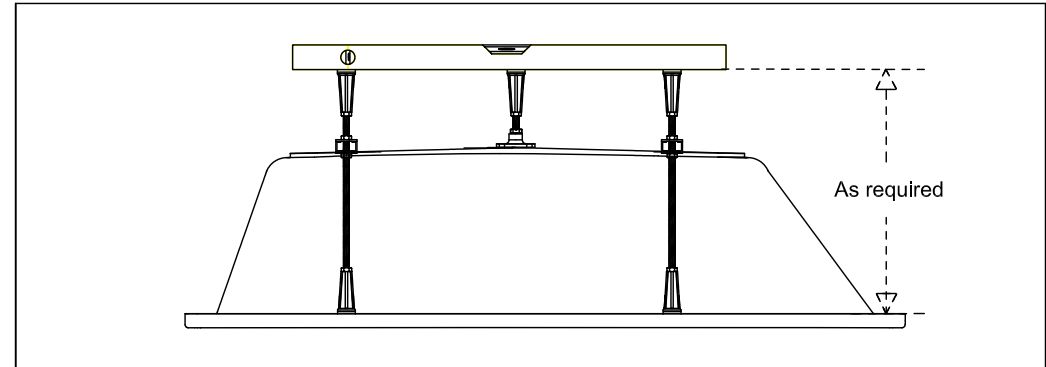
1: Check that all fittings have been supplied.

2: Depending on the width of the bath, cut the brackets accordingly.

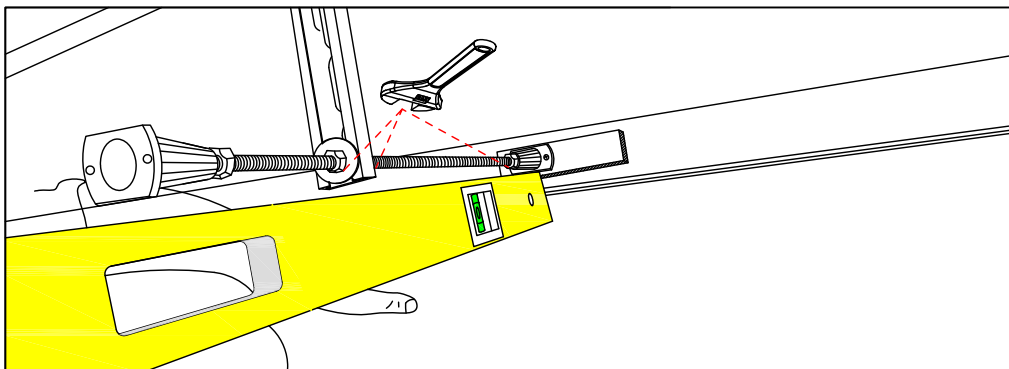
3: Assemble the brackets, nuts, washers, and bar. Only hand tighten the nuts.



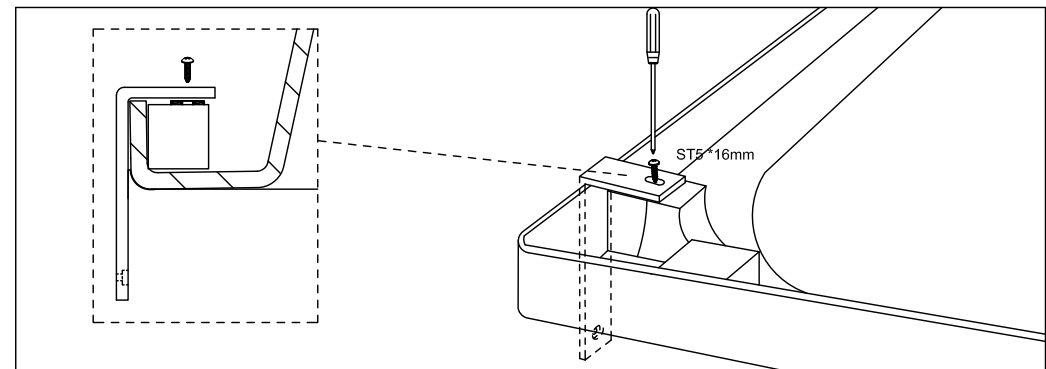
4: With the bath upside down on a protective matt, attach the frame as indicated by dotted line and the blocks. The leg set in the center can be positioned on the baseboard only as close to the center of the bath as possible.



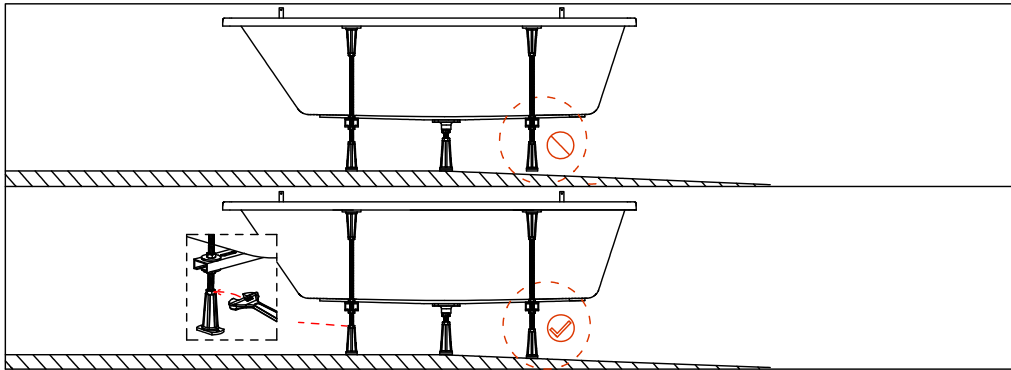
5: Based on the height of the bath panel, adjust the leg sets accordingly, including the leg set in the center. Make sure that all leg sets are at the same level. The thread can be cut if necessary.



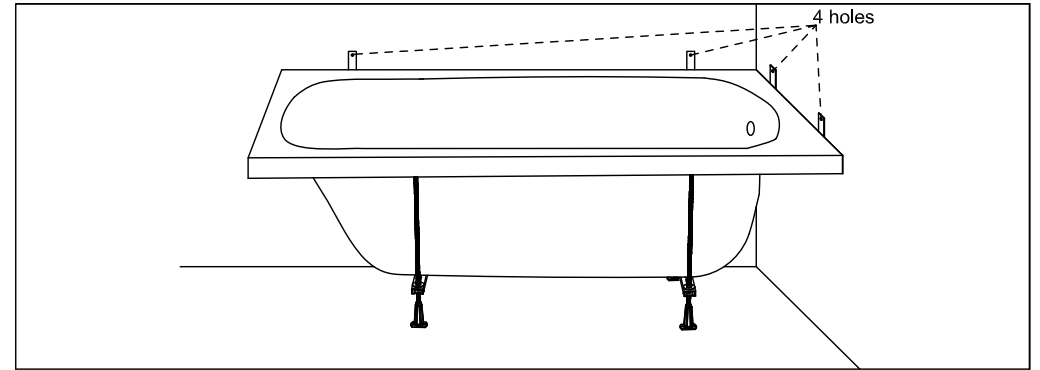
6: Check that the threads are level, and reposition frame accordingly to correct if not. When the threads are level tighten all nuts.



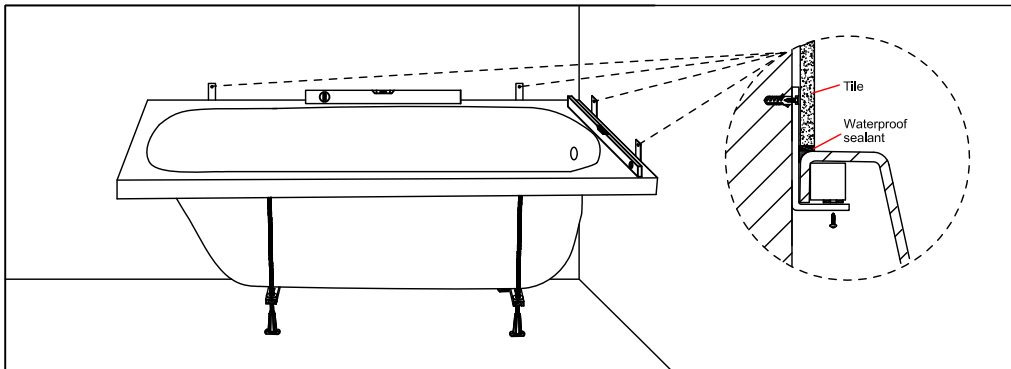
7: Fix the wall brackets (supplied with bath) to the blocks on the sides to be attached to the wall. Use the extra washers between the wall brackets and blocks if necessary.



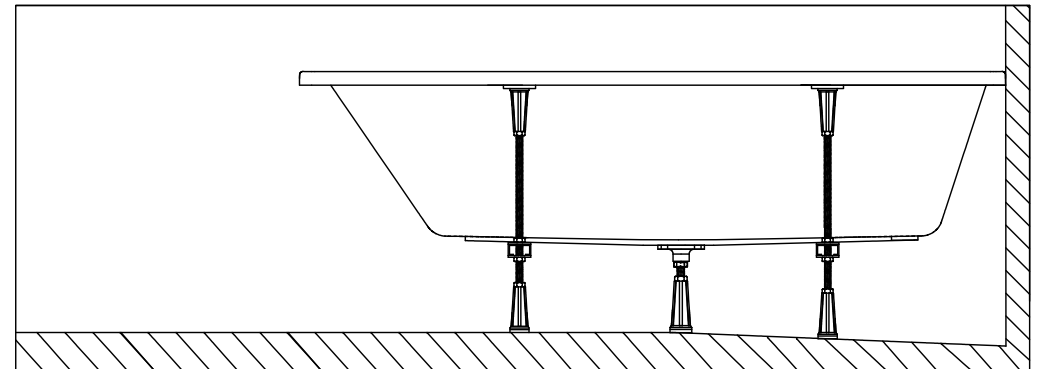
8: Place the bath in position and adjust for level, and determine waste and soil requirements.



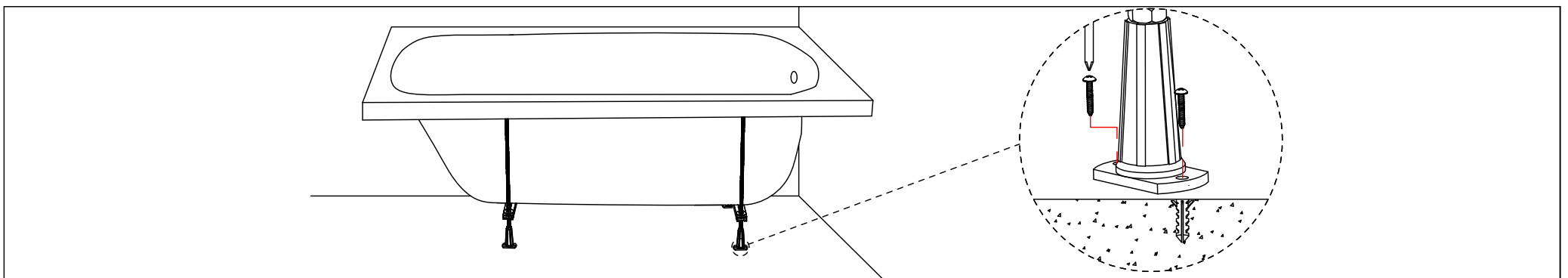
9: Mark the position for the 4 holes.



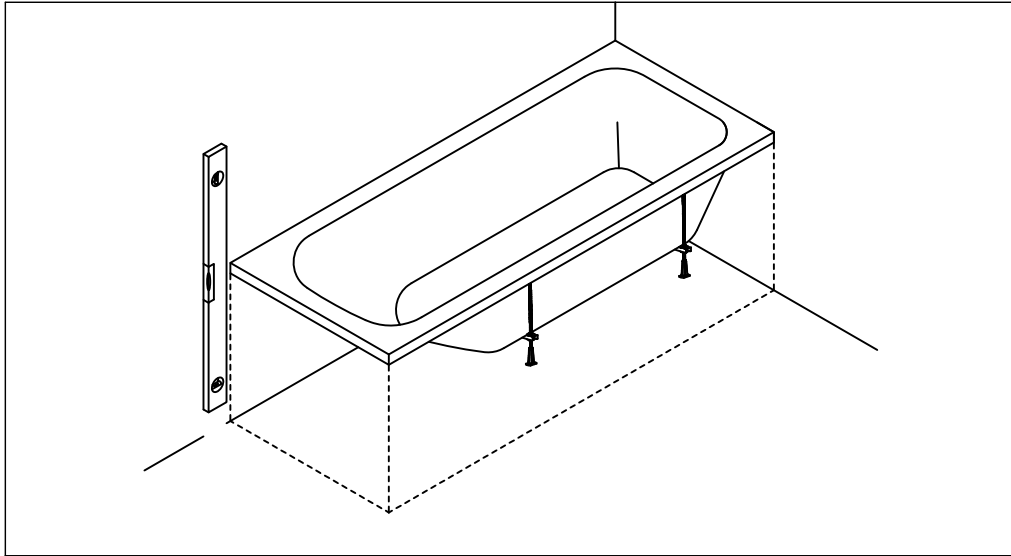
10: Place the bath back into position, fix the wall brackets on the walls and use the waterproof sealant between the bath and tiles.



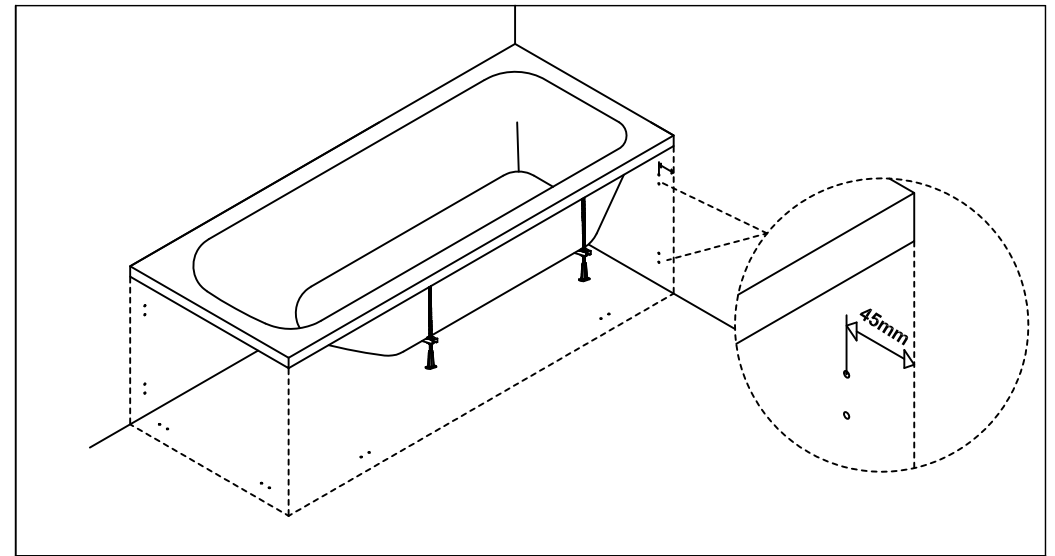
11: Attach all water and waste connections.



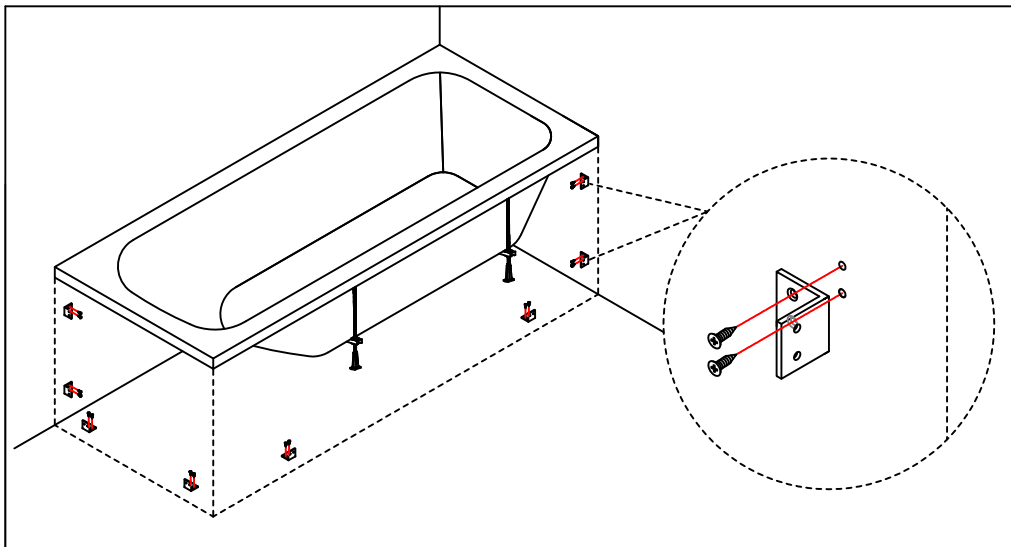
12: It is essential that once the bath is in its final position the bath legs be firmly fixed to and secured to the floor using fixings appropriate for the type of floor surface (such fixing not included)



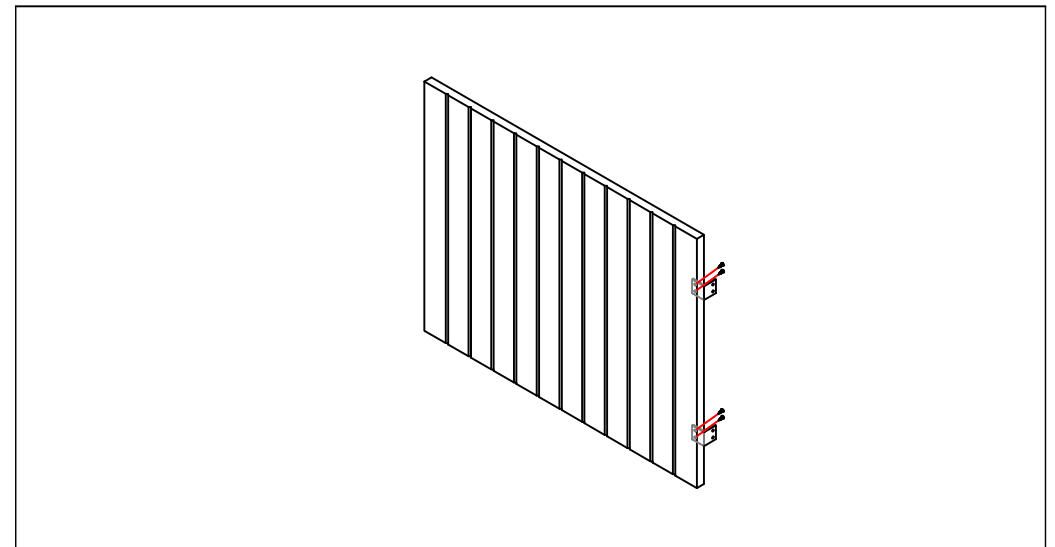
**13:** Install the bath at first with all the waste and drainage system, then use a spirit level to mark the vertical lines against the wall where the panel will be fitted on.



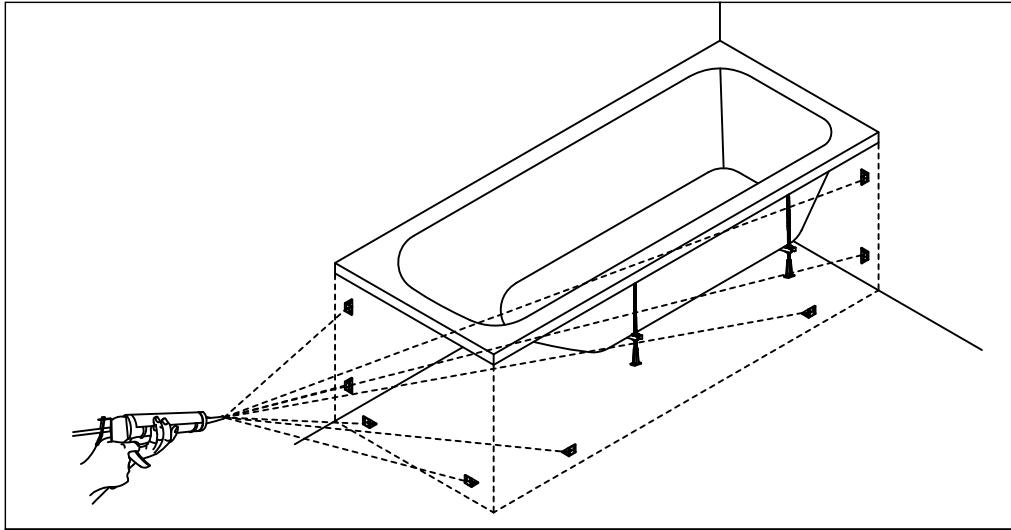
**14:** Mark the hole positions on the wall and floor, then drill the holes to fix the L brackets.



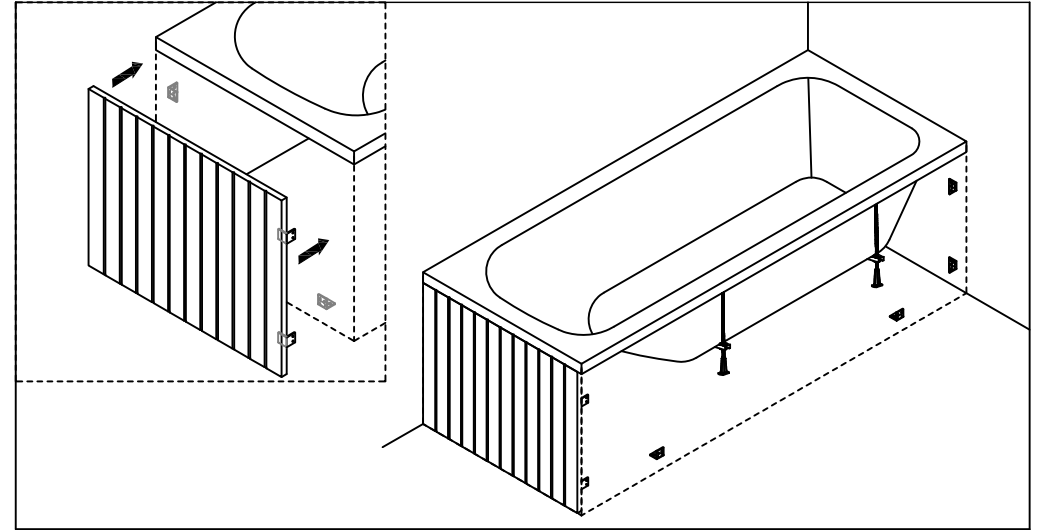
**15:** Fix the L brackets onto wall and floor where the panel is going to sit against.



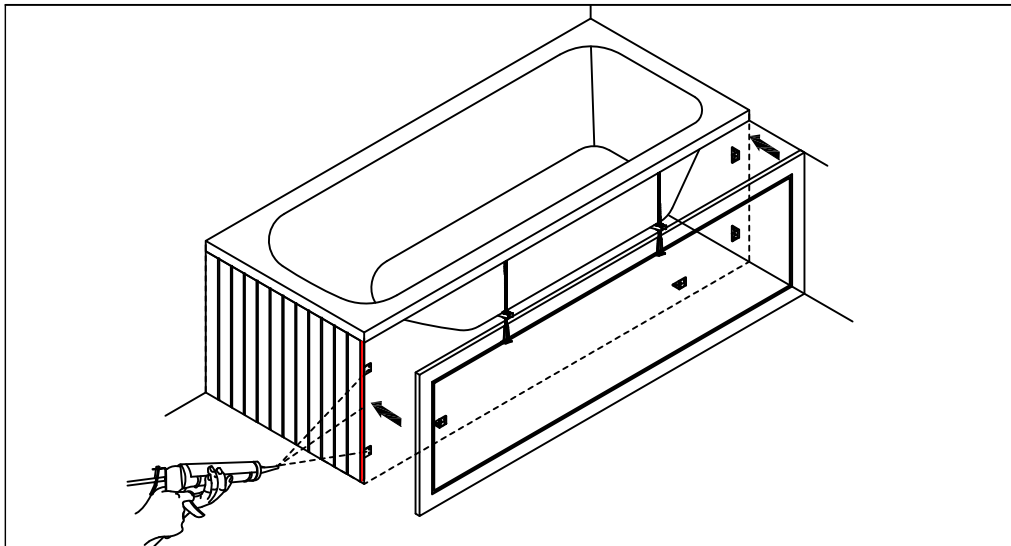
**16:** Fit the L brackets onto the end panel.



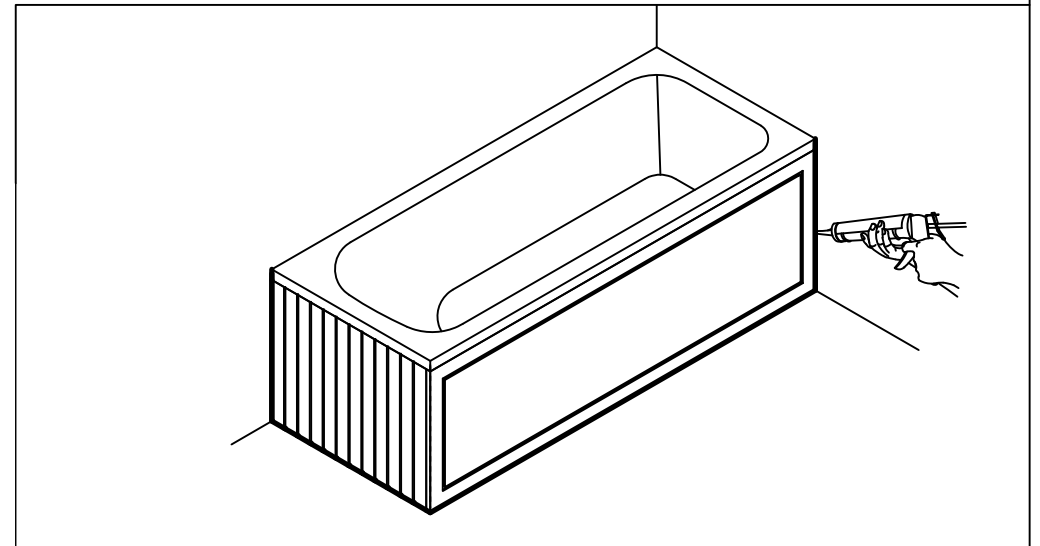
17: Apply silicone onto the surface of L brackets.



18: Attach the end panel onto the L brackets.



19: Apply silicone onto the end panel and the L brackets.  
Attach the front panel to the end panel and L brackets.



20: Apply silicone around the bottom of the bath panel and edges along with wall to secure it to the floor.

#### Care and Maintenance:

This is a wood product, and has a water resistant finish. It should not be left wet, and the quality of the finish is best maintained if it is wiped with a dry cloth after use. It should only be cleaned using a soft damp cloth followed by a dry cloth. Do not use bleach or any abrasive cleaner.