

After care service

Cleaning your product

When cleaning the mirror or any mirrored surfaces it is recommended to use a soft, dry, non abrasive cloth with the mirror turned off. Do not use cleaning agents or abrasive materials.

DO NOT allow moisture to come into contact with any electrical components.

Troubleshooting & After care service

For any further assistance, please contact our tech support team at: techsupport@tavistock-bathroom.co.uk.

10 Year Guarantee

We have complete confidence in this Tavistock bathroom mirror and as such it is offered with a 10-year guarantee against defects in manufacture.

The guarantee requires that this product be used in the manner for which it was intended and that it is installed and maintained in accordance with the fitting instructions.

The guarantee covers products in domestic use only and is not transferable. In the unlikely event that this product should fail during the guarantee period we will either replace the faulty part or the complete unit as appropriate.

Compliance

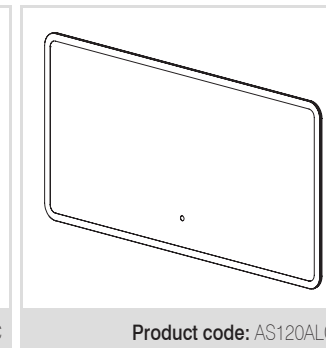
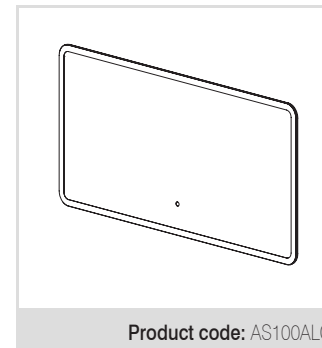
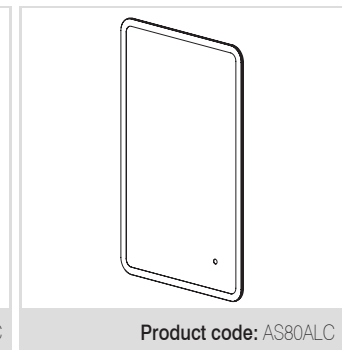
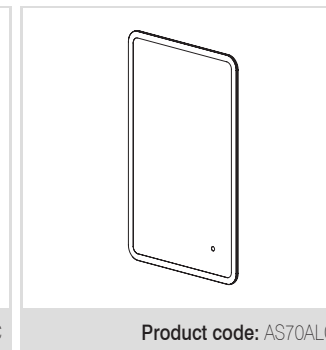
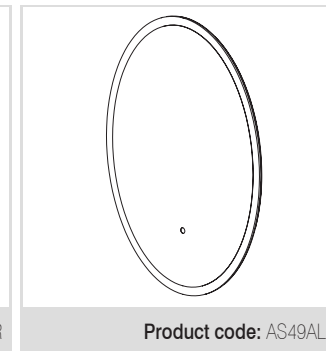
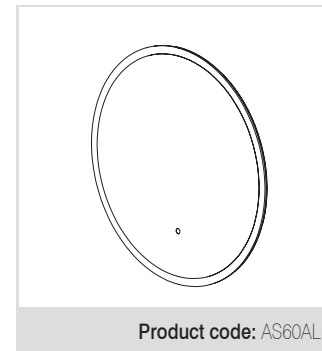
This product complies with all relevant British and European safety standards.



© Tavistock Bathrooms. 2019

Tavistock Bathrooms, Brassmill Lane Trading Estate, Bath, BA1 3JF
TEL: 01225 787 870 | techsupport@tavistock-bathrooms.co.uk
www.tavistock.co.uk

TAVISTOCK



ASTER Slim LED Illuminated Mirror Installation & Aftercare Instructions

Retain for future reference

AO|02.19|V2

Electrical Safety

Suitable for UK Installations **only**.

All fittings must be installed by a competent person, in accordance with current IEE wiring regulations. If in doubt consult a qualified electrician.

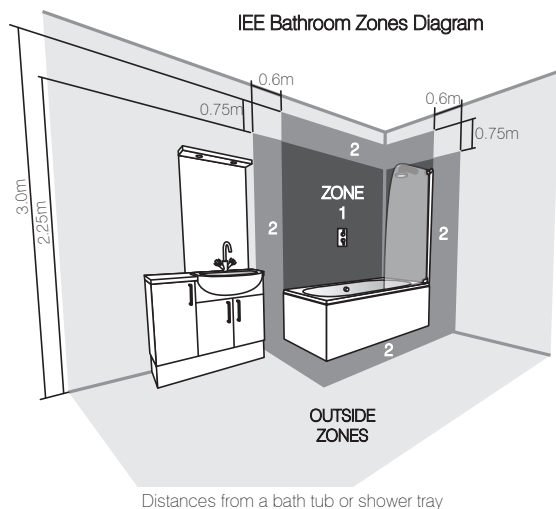
Important: Always switch off the electrical supply at the mains during installation and maintenance. It is recommended that the fuse is withdrawn or the circuit breaker is switched off for the necessary circuit before installation commences.

This product is manufactured to class I category and **must** have an earth connection.

WIRING DIAGRAM - MAINS SUPPLY



Bathroom Zones



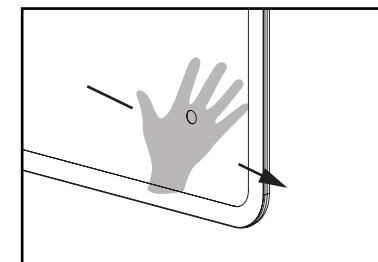
Bathroom fittings are subject to the appropriate zones in accordance with IEE Regulations. This product is **only** suitable for permanent indoor installation in Zone 2 and outside zones. (See above) This product is **NOT** suitable for installation in Zone 0 or 1, saunas, steam rooms or shower cubicles. Do **NOT** connect to a trailing plug and socket. Do **NOT** install onto surfaces that are either damp or electrically conductive.

Operating Instructions

The Aster mirror comes with LED lighting, which is controlled via a fixed IR sensor located on the front face of the product. The lighting can be controlled using the button functions detailed below:

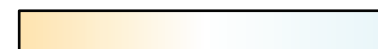
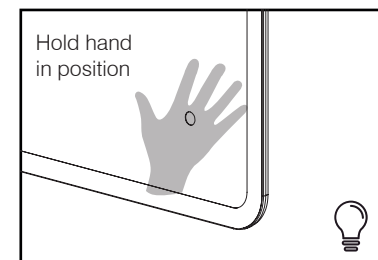
Turn Mirror ON/OFF

To turn the mirror on/off, slowly wave your hand in front of the IR sensor.



Change LED colour

1. When the mirror is OFF
2. Hold your hand in front of the IR sensor to adjust the colour temperature.
3. Remove hand from IR sensor once desired colour temperature is achieved.

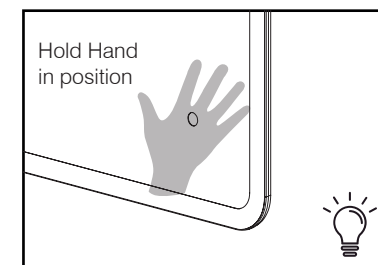


Warm Natural Daylight
 White → White → White
 2700K 4000K 6000K

Note: When the mirror is switched on/off the colour temperature will be memorised.

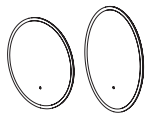
Change LED intensity

1. When the mirror is ON
2. Hold your hand in front of the IR sensor to adjust its brightness.
3. Remove hand from IR sensor once desired intensity is reached.



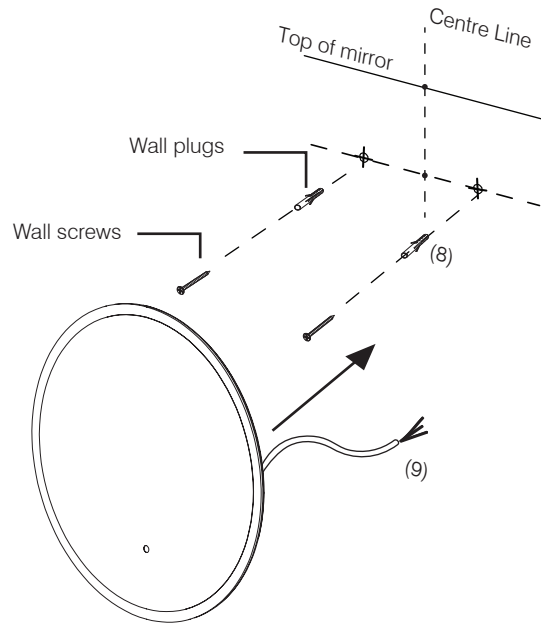
Note: When the mirror is switched on/off the colour temperature will be memorised.

Installation Procedure



6) Using a spirit level, draw a line of distance X centred on this mark and parallel with the floor.

7) Mark out the fixing screw positions on the wall using a pencil to the desired height, ensuring they are spaced at distance (X).



8) Drill the marked out positions and fit the wall plugs accordingly. Fix the screws into position, leaving a small amount of the screw head proud of the wall for hanging.

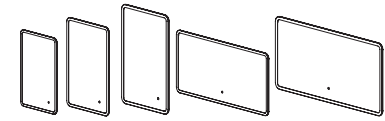
9) Make the electrical connection from the mirror to the mains supply. Use the connection wire found at the rear of the mirror to make the necessary connections in accordance with the current IEE regulations. A second person will need to hold the mirror in place whilst electrical connections are made.

10) The mirror should slide onto the wall mounting brackets and secure into place.

NOTE: To secure the mirror further, a small amount of silicone sealant can be applied to the side of the extrusions to prevent the mirror being accidentally pulled away from the wall.

To remove the mirror, lift and then pull away from the wall.

Installation Procedure

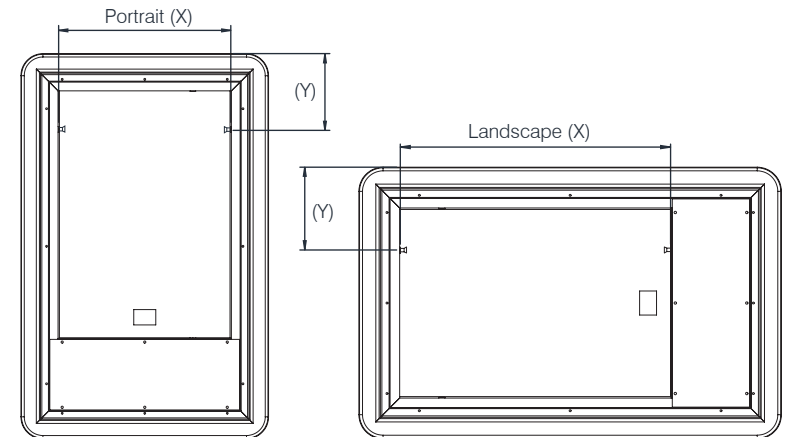


Important: Before starting the installation process, make sure the electrical supply is switched off. It is recommended that the fuse is withdrawn or the circuit breaker is switched off for the necessary circuit.

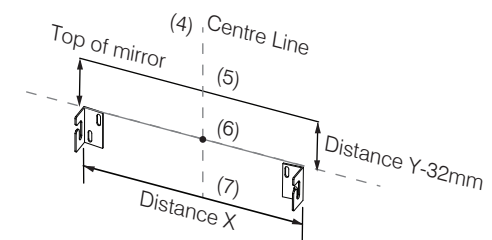
Important: Before starting the installation process, ensure the wall construction is suitable and can support the weight of the mirror.

Note: The wall plugs supplied are suitable for solid stone / brick walls. For any other wall material use specialist wall plugs.

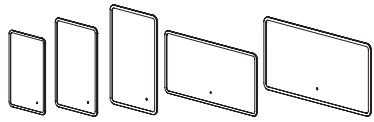
- 1) Determine if the mirror is to be fitted portrait or landscape
- 2) Measure the distance (X) between the wall fixing pins on the back of the mirror.
- 3) Measure the distance (Y) between the top of the mirror and the centre of the wall fixing pins.



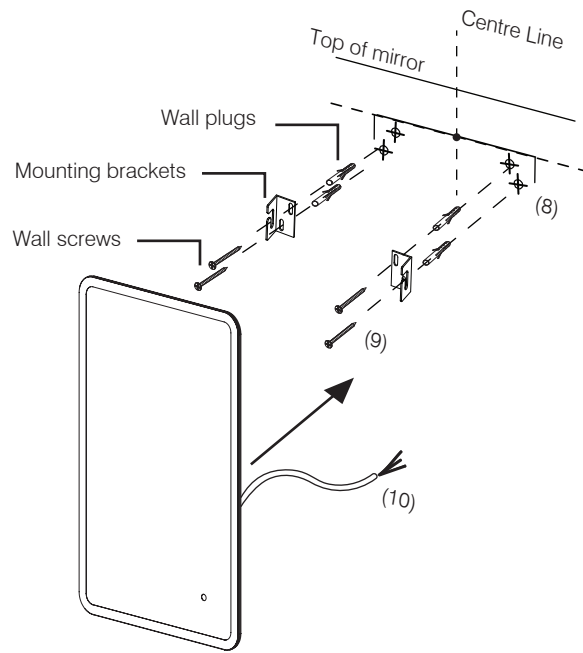
- 4) Draw a centre line on the wall for the horizontal placement of your mirror.
- 5) Draw a horizontal line on the wall at the desired height for the top of the mirror.
- 6) Make a mark on the centre line of Y-32mm as shown below.



Installation Procedure



7) Using a spirit level, draw a line of distance X centred on this mark and parallel with the floor.



8) Align the outer edge of the wall brackets within the lines as shown above and accurately mark the 4 hole positions with a pencil, drill and fit the wall plugs.

9) Secure the wall mounting plates in position with the screws provided.

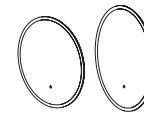
10) Make the electrical connection from the mirror to the mains supply. Use the connection wire found at the rear of the mirror to make the necessary connections in accordance with the current IEE regulations. A second person will need to hold the mirror in place whilst electrical connections are made.

11) The mirror should slide onto the wall mounting brackets and secure into place.

NOTE: To secure the mirror further, a small amount of silicone sealant can be applied to the side of the extrusions to prevent the mirror being accidentally pulled away from the wall.

To remove the mirror, lift and then pull away from the wall.

Installation Procedure



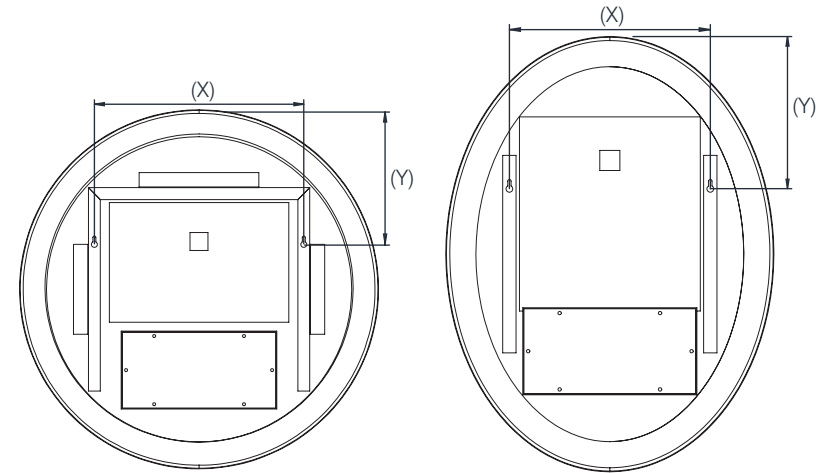
Important: Before starting the installation process, make sure the electrical supply is switched off. It is recommended that the fuse is withdrawn or the circuit breaker is switched off for the necessary circuit.

Important: Before starting the installation process, ensure the wall construction is suitable and can support the weight of the mirror.

Note: The wall plugs supplied are suitable for solid stone / brick walls. For any other wall material use specialist wall plugs.

1) Measure the distance (X) between the keyhole slots on the back of the mirror.

2) Measure the distance (Y) between the top of the mirror and the centre of the keyhole slots.



3) Draw a centre line on the wall for the horizontal placement of your mirror.

4) Draw a horizontal line on the wall at the desired height for the top of the mirror.

5) Make a mark on the centre line of distance Y as shown below.

