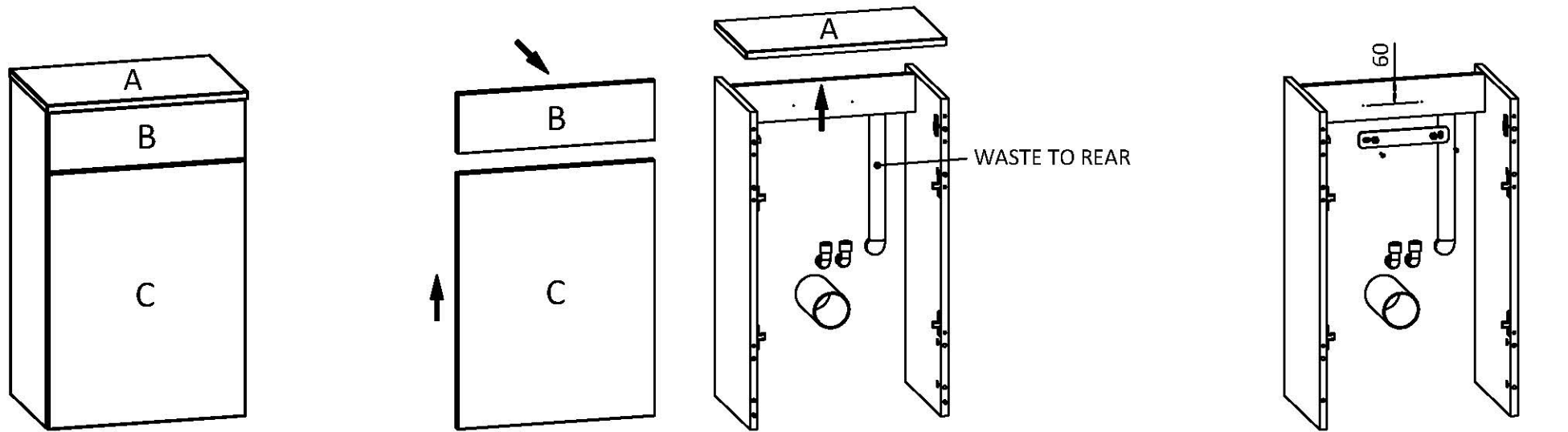
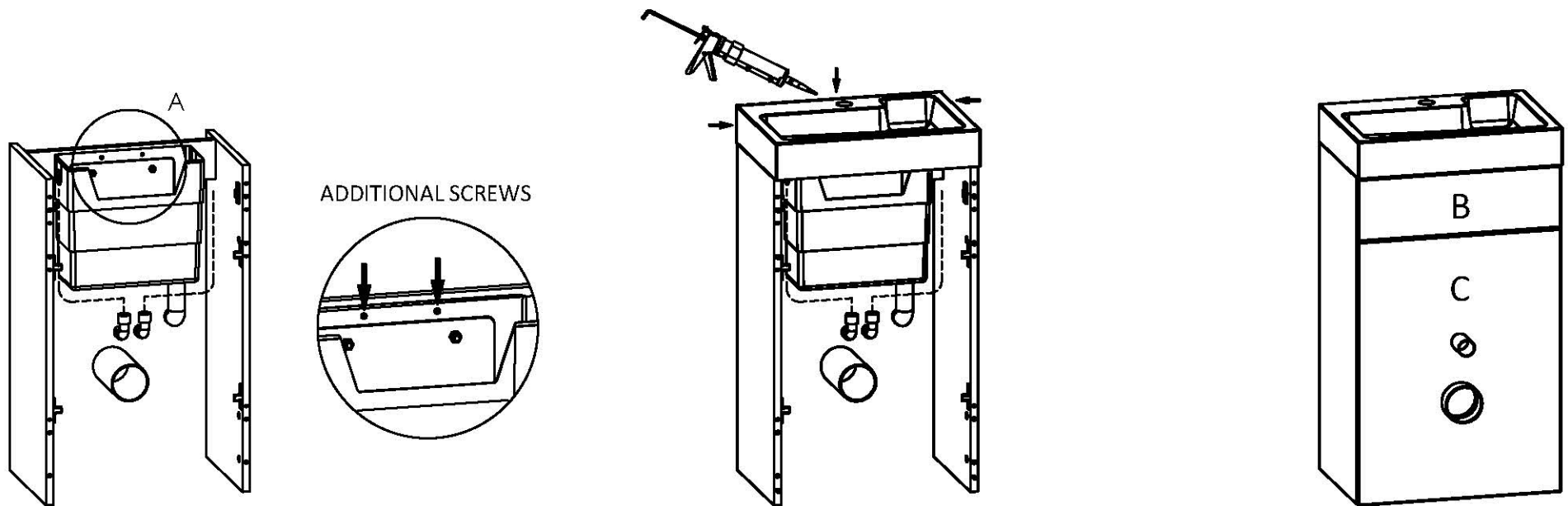


GENERAL GUIDE COMBINATION BASIN & W.C. UNIT Inc' CONCEALED CISTERN



1. REMOVE PANELS & FIT SERVICES

2. FIT TANK SUPPORT BRACKET



3. FIT TANK AND ADDITIONAL SCREWS IF REQUIRED.
PLUMB THE TANK AT THIS STAGE.

4. FIT BASIN AND PLUMB.
SILICONE BASIN AROUND TILE LINE.

5. RE-FIT ALL PANELS