

PRODUCT DATA SHEET

Marble Wall Mounted Basin Carrara 300x250x100 Honed

Product Code: BASINMB-300-CARRARA



SCUDO
BEAUTIFUL BATHROOMS

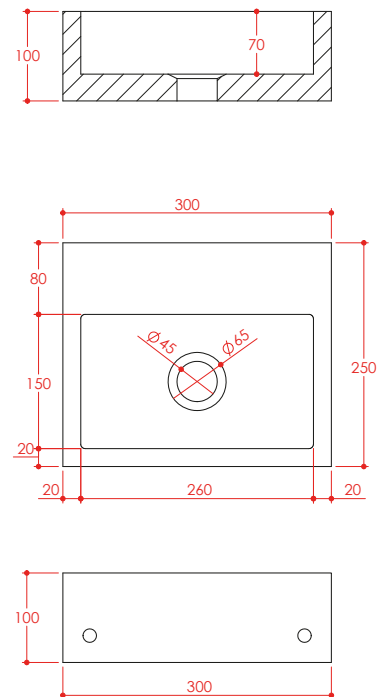
0330 124 7290

sales@scudo.co.uk - www.scudo.co.uk

Scudo is the trading name of Harrison Bathrooms Ltd. Whilst we endeavour to ensure that the product information is accurate we accept no liability for any information given. All images are for illustration purposes only. Product images and specification are subject to change. Measurement are in millimetres and are nominal.

| | |
|-----------------------------|--|
| Product Name | BASINMB-300-CARRARA |
| Product Description | Marble Wall Mounted Basin Carrara 300x250x100 Honed |
| Product Transportation | |
| Barcode | 5060964936055 |
| Country of origin | CH |
| Commodity code | 6802910090 |
| Product Measurements | |
| Product Weight (KG) | 12.50 |
| Product Width (mm) | 300 |
| Product Height (mm) | 100 |
| Product Depth (mm) | 250 |
| Primary Packed Measurements | |
| Packaged Weight | 13 |
| Packed Height | 310 |
| Packed Width | 160 |
| Packed Length | 360 |

| | |
|------------------------|---------------------|
| General Information | |
| Construction Material | Marble |
| Installation type | Furniture mounted |
| Colour / Finish | Venato Carrara |
| Basin Attributes | |
| Basin Type | Wall Mounted |
| Number of Tap Holes | 0 |
| Overflow | No |
| Recommended waste type | Unslotted/Universal |
| Inner Bowl Width (mm) | 260 |
| Inner Bowl Length (mm) | 150 |
| Inner Bowl Depth (mm) | 70 |



Dimensions
(measurements in mm)



LIFETIME GUARANTEE

We are confident in our products and we want our customer to be, we proudly give a lifetime guarantee on our taps and showers, further details can be found on our website.