

# PRODUCT DATA SHEET

## Labyrinth Fluted Freestanding Bath

Product Code: BATH-002

Product Name	BATH-002
Product Description	Fluted Freestanding Bath 1700x800x600
<b>Product Transportation</b>	
Barcode	5060964936260
Country of origin	CH
Commodity code	3922100000
<b>Product Measurements</b>	
Product Weight (KG)	71.20
Product Width (mm)	800
Product Height (mm)	1700
Product Depth (mm)	590
Product Length (mm)	0
<b>Primary Packed Measurements</b>	
Packaged Weight	76.7
Packed Length	850
Packed Width	1750
Packed Height	640
<b>Packaging Weights</b>	
Card (kg)	1.5
Paper (kg)	0
Wood (kg)	3.5
Plastic (kg)	0.5
<b>Compliance DOP</b>	

<b>General Information</b>	
Construction Material	Acrylic
Installation type	Freestanding
Colour / Finish	White
<b>Bath Attributes</b>	
Bath Water Capacity (Litres)	220
Bath Water Capacity (m3)	0.22
Shape	Oval
Handed	N/A
Bath Feet included	Yes
Supplied with Tap Holes	No
Height of Overflow / Soaking Depth	375
Internal Length Base (mm)	1315
Internal Width / Depth Base (mm)	580
Internal Height (mm)	450
Supplied with Front panel	No
Supplied with End panel	No
Compatible Panel Part Code	N/A

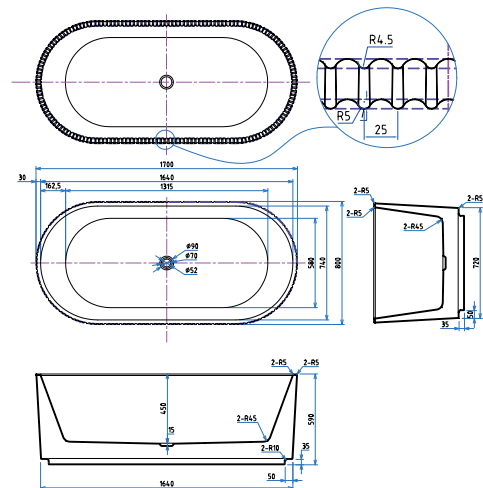


**SCUDO**  
BEAUTIFUL BATHROOMS

0330 124 7290

sales@scudo.co.uk - www.scudo.co.uk

Scudo is the trading name of Harrison Bathrooms Ltd. Whilst we endeavour to ensure that the product information is accurate we accept no liability for any information given. All images are for illustration purposes only. Product images and specification are subject to change. Measurement are in millimetres and are nominal.



## Dimensions

(measurements in mm)



### LIFETIME GUARANTEE

We are confident in our products and we want our customer to be, we proudly give a lifetime guarantee on our taps and showers, further details can be found on our website