

PRODUCT DATA SHEET

Labyrinth Fluted Back to Wall Bath

Product Code: BATH-003

Product Name	BATH-003
Product Description	Fluted Back to Wall Bath 1700x800x600
Product Transportation	
Barcode	5060964936277
Country of origin	CH
Commodity code	3922100000
Product Measurements	
Product Weight (KG)	71.20
Product Width (mm)	780
Product Height (mm)	1700
Product Depth (mm)	580
Product Length (mm)	0
Primary Packed Measurements	
Packaged Weight	76.7
Packed Length	850
Packed Width	1750
Packed Height	640
Packaging Weights	
Card (kg)	1.5
Paper (kg)	0
Wood (kg)	3.5
Plastic (kg)	0.5
Compliance DOP	

General Information	
Construction Material	Acrylic
Installation type	Wall Mounted
Colour / Finish	White
Bath Attributes	
Bath Water Capacity (Litres)	220
Bath Water Capacity (m3)	0.22
Shape	D-Shaped
Handed	N/A
Bath Feet included	Yes
Supplied with Tap Holes	No
Height of Overflow / Soaking Depth	375
Internal Length Base (mm)	1200
Internal Width / Depth Base (mm)	520
Internal Height (mm)	430
Supplied with Front panel	No
Supplied with End panel	No
Compatible Panel Part Code	N/A

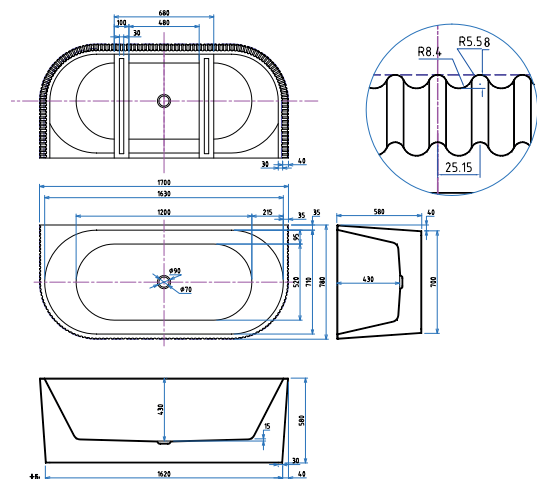


SCUDO
BEAUTIFUL BATHROOMS

0330 124 7290

sales@scudo.co.uk - www.scudo.co.uk

Scudo is the trading name of Harrison Bathrooms Ltd. Whilst we endeavour to ensure that the product information is accurate we accept no liability for any information given. All images are for illustration purposes only. Product images and specification are subject to change. Measurement are in millimetres and are nominal.



Dimensions
(measurements in mm)



LIFETIME GUARANTEE

We are confident in our products and we want our customer to be, we proudly give a lifetime guarantee on our taps and showers, further details can be found on our website