

# PRODUCT DATA SHEET

## Double Ended Baths 1700x750mm

Product Code: BATH-CRNDDE1700X750-D

### Product Measurements

Product Weight:	21.48kg
Product Width:	1700mm
Product Height:	750mm
Product Depth:	400mm
Product Length:	N/A

### Product Transportation

Barcode:	5060500643249
Country of Origin:	Egypt
Comodity Code:	3922100000

### Primary Packed Measurements

Packaged Weight:	22kg
Packaged Length:	1700mm
Packaged Width:	750mm
Packaged Height:	400mm

### Packaging Weight

Card:	0.5kg
Paper:	N/A
Wood:	N/A
Plastic:	0.07

### General Information

Construction Material:	Acrylic
Installation Type:	Wall Mounted
Colour / Finish:	White

### Bath Attributes

Bath Water Capacity (Litres):	147
Bath Water Capacity (m3):	0.147
Shape:	Double Ended Round
Handed:	Both
Bath Feet Included:	Yes
Supplied with Tap Holes:	No
Height Overflow/Soak Depth:	300mm
Internal Length Base:	1120mm
Internal Width/Depth Base:	440mm
Internal Height:	400mm
Supplied with Front Panel :	No
Supplied with End Panel:	No
Compatible Panel Part Code:	All

### Compliance DOP

HBDOC076 / HBDOC077

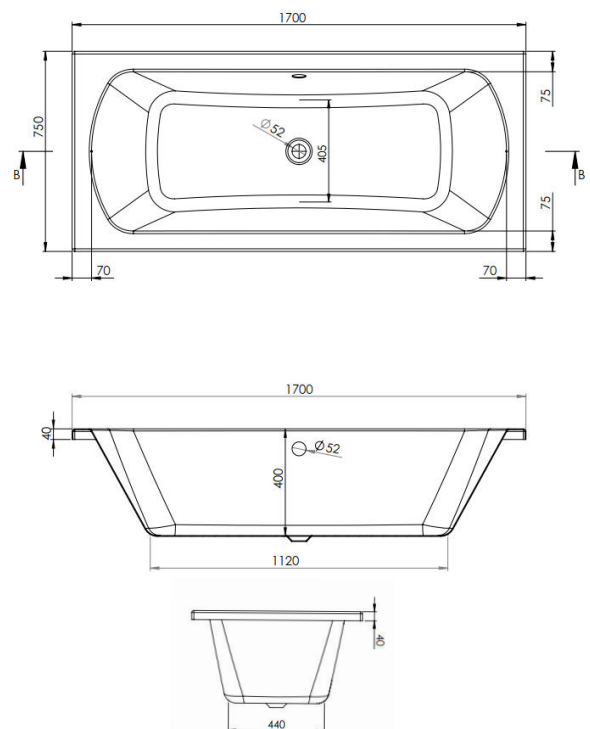


**SCUDO**  
BEAUTIFUL BATHROOMS

0330 124 7290

sales@scudo.co.uk - www.scudo.co.uk

Scudo is the trading name of Harrison Bathrooms Ltd. Whilst we endeavour to ensure that the product information is accurate we accept no liability for any information given. All images are for illustration purposes only. Product images and specification are subject to change. Measurement are in millimetres and are nominal.



**Dimensions**  
(measurements in mm)



### LIFETIME GUARANTEE

We are confident in our products and we want our customer to be, we proudly give a lifetime guarantee on our taps and showers, further details can be found on our website