

PRODUCT DATA SHEET

Single Ended Baths 1700x700mm

Product Code: BATH-CRNDSE1700X700-D

Product Measurements	
Product Weight:	18.48kg
Product Width:	1700mm
Product Height:	700mm
Product Depth:	400mm
Product Length:	N/A
Product Transportation	
Barcode:	5060500643287
Country of Origin:	Egypt
Comodity Code:	3922100000
Primary Packed Measurements	
Packaged Weight:	19kg
Packaged Length:	1700mm
Packaged Width:	700mm
Packaged Height:	400mm
Packaging Weight	
Card:	0.5kg
Paper:	N/A
Wood:	N/A
Plastic:	N/A
General Information	
Construction Material:	Acrylic
Installation Type:	Wall Mounted
Colour / Finish:	White
Bath Attributes	
Bath Water Capacity (Litres):	138
Bath Water Capacity (m3):	0.138
Shape:	Single End Round
Handed:	Both
Bath Feet Included:	Yes
Supplied with Tap Holes:	No
Height Overflow/Soak Depth:	270mm
Internal Length Base:	1220mm
Internal Width/Depth Base:	420mm
Internal Height:	370mm
Supplied with Front Panel :	No
Supplied with End Panel:	No
Compatible Panel Part Code:	All
Compliance DOP	
HBDOC076 / HBDOC077	

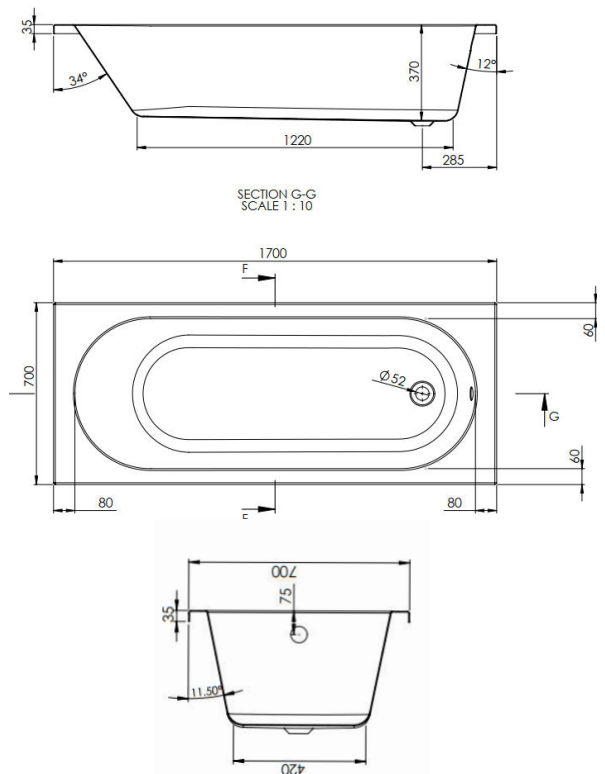


SCUDO
BEAUTIFUL BATHROOMS

0330 124 7290

sales@scudo.co.uk - www.scudo.co.uk

Scudo is the trading name of Harrison Bathrooms Ltd. Whilst we endeavour to ensure that the product information is accurate we accept no liability for any information given. All images are for illustration purposes only. Product images and specification are subject to change. Measurement are in millimetres and are nominal.



Dimensions
(measurements in mm)



LIFETIME GUARANTEE

We are confident in our products and we want our customer to be, we proudly give a lifetime guarantee on our taps and showers, further details can be found on our website