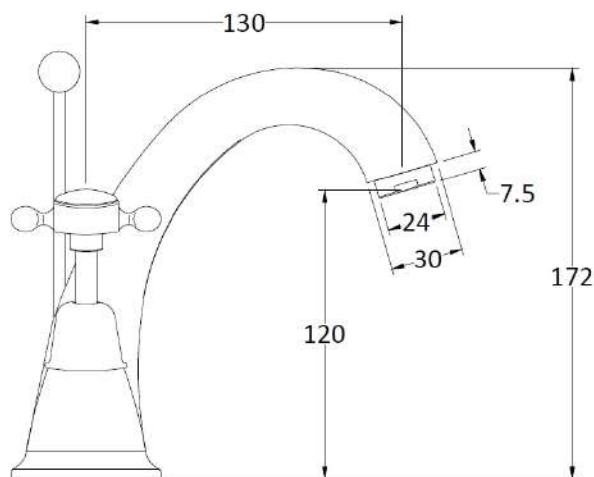
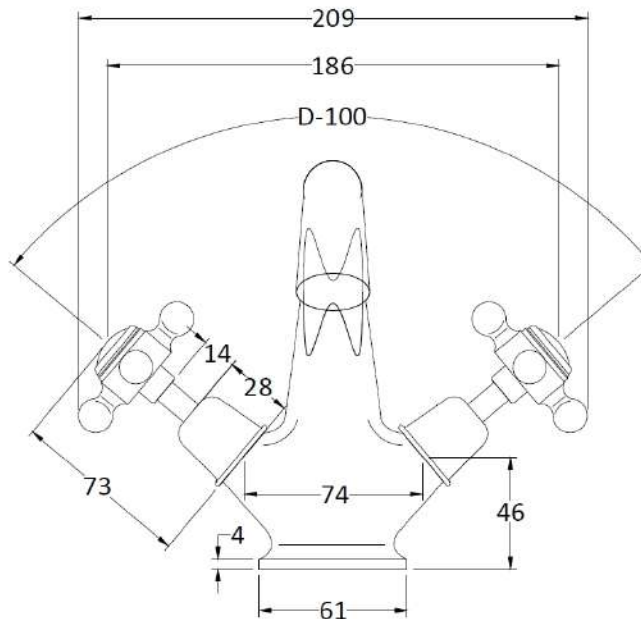


Sales Code: BC305DX

Description: Topaz Mono Basin Mixer



### Product Dimensions

Height (mm):	172
Width (mm):	215
Depth (mm):	185
Length (mm):	
Nett Weight (kg):	2.2

### Packaging Dimensions

Height (mm):	125
Width (mm):	220
Depth (mm):	390
Gross Weight (kg):	2.4

### Packaging Data

Box Colour:	White Cardboard Box
Box Qty:	1
Label Size:	100 x 50
Label Colour:	White Label
Label Qty:	1

### Outer Box Dimensions (If Applicable)

Height (mm):	395
Width (mm):	415
Depth (mm):	440
Length (mm):	

Gross Weight (kg):	
Barcode:	5055275830758

### Product Details

Country of Origin:	United Kingdom
Fitting Instruction:	No
Product Material:	Brass
Control Type:	Manual
Waste Included:	Waste Included
Waste Type:	Pop-Up
WRAS Approval:	No
Approval No:	N/A
Valve/Cartridge Type:	1/4 Turn Ceramic Disc
Colour/Finish:	Chrome
Mount Type:	Deck
Operating Pressure (bar):	0.1

Flow Rates: (Litres Per Min)	0.1 bar: 6.4	0.5 bar: 16.2	1 bar: 23.4	2 bar: 33.5	3 bar: 41
Pipe Size:	15 mm				
Pipe Centres:	N/A				