

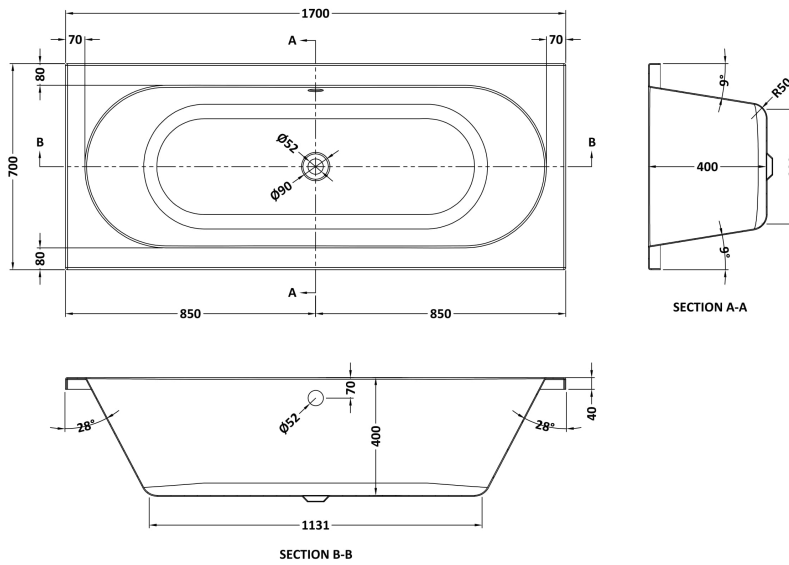
Sales Code: BDE009

Description: Round De Bath & Leg Set 1700X700 EI



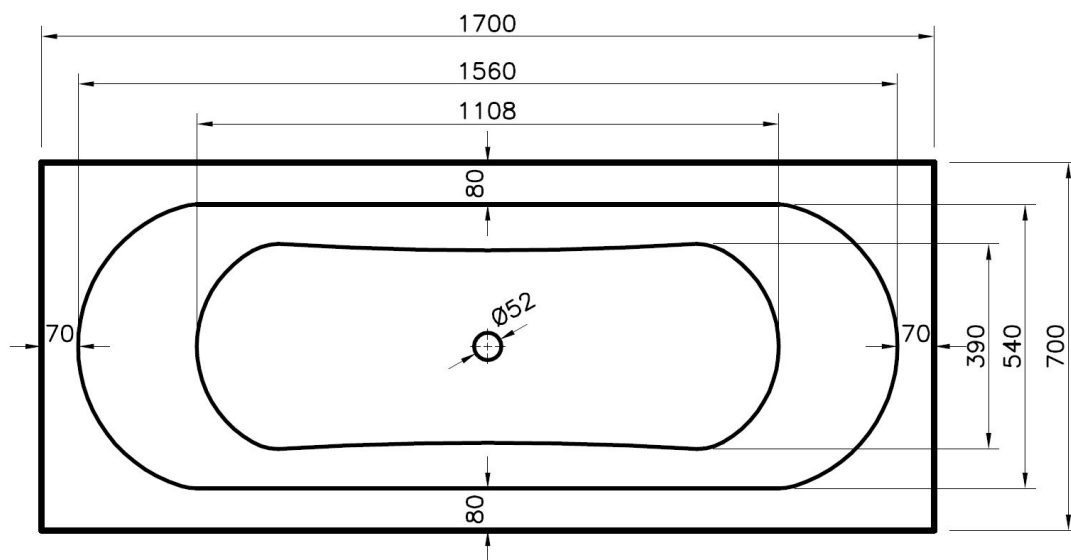
Packaging Details

Barcode: 5055369060887



Sales Code: BDE009NL

Description: Round Double Ended Bath 1700X700 (EI)



Product Dimensions

| | |
|-------------------|------|
| Length (mm): | 1700 |
| Width (mm): | 700 |
| Depth (mm): | 400 |
| Nett Weight (kg): | 27 |

Packaging Dimensions

| | |
|--------------------|------|
| Length (mm): | 1700 |
| Width (mm): | 700 |
| Depth (mm): | 400 |
| Gross Weight (kg): | 27 |

Packaging Data

| | |
|---------------|------------------------|
| Box Colour: | Brown Cardboard Sleeve |
| Box Qty: | 1 |
| Label Size: | 192 x 38 |
| Label Colour: | White Label |
| Label Qty: | 1 |

Outer Box Dimensions (If Applicable)

| | |
|--------------------|---------------|
| Length (mm): | |
| Width (mm): | |
| Height (mm): | |
| Gross Weight (kg): | |
| Barcode: | 5055275833308 |

Product Details

| | |
|----------------------------|-------------------------|
| Country of Origin: | Poland |
| Fitting Instruction: | No |
| Certification: | FSC: No CE: Yes |
| Material Colour Reference: | European White |
| Product Material: | Acrylic With Eternalite |
| Material Thickness: | 4mm |
| Volume (Ltr): | 170L |
| Displaced Capacity: | 100L |
| Leg Set Included: | Legset Not Included |
| Waste Included: | Waste Not Included |
| Drilled/Undrilled: | Undrilled For Taps |
| Includes Grips: | No Grips Supplied |
| Embossed: | No |
| No of Tapholes: | None |
| Anti-Slip: | No |

Sales Code: NBL001

Description: Leg Set



Product Dimensions

| | |
|-------------------|-----|
| Length (mm): | 570 |
| Width (mm): | |
| Depth (mm): | |
| Nett Weight (kg): | 1.9 |

Packaging Dimensions

| | |
|--------------------|-----|
| Length (mm): | 600 |
| Width (mm): | 60 |
| Depth (mm): | 60 |
| Gross Weight (kg): | 1.9 |

Packaging Data

| | |
|---------------|---------------------|
| Box Colour: | Brown Cardboard Box |
| Box Qty: | 1 |
| Label Size: | 50 x 38 |
| Label Colour: | White Label |
| Label Qty: | 1 |

Outer Box Dimensions (If Applicable)

| | |
|--------------------|---------------|
| Length (mm): | |
| Width (mm): | |
| Height (mm): | |
| Gross Weight (kg): | |
| Barcode: | 5055275833612 |

Product Details

| | |
|----------------------------|------------------|
| Country of Origin: | Poland |
| Fitting Instruction: | No |
| Certification: | FSC: N/A CE: N/A |
| Material Colour Reference: | Not Applicable |
| Product Material: | Steel |
| Material Thickness: | N/A |
| Volume (Ltr): | N/A |
| Displaced Capacity: | N/A |
| Leg Set Included: | Not Applicable |
| Waste Included: | Not Applicable |
| Drilled/Undrilled: | Not Applicable |
| Includes Grips: | Not Applicable |
| Embossed: | Not Applicable |
| No of Tapholes: | Not Applicable |
| Anti-Slip: | Not Applicable |