

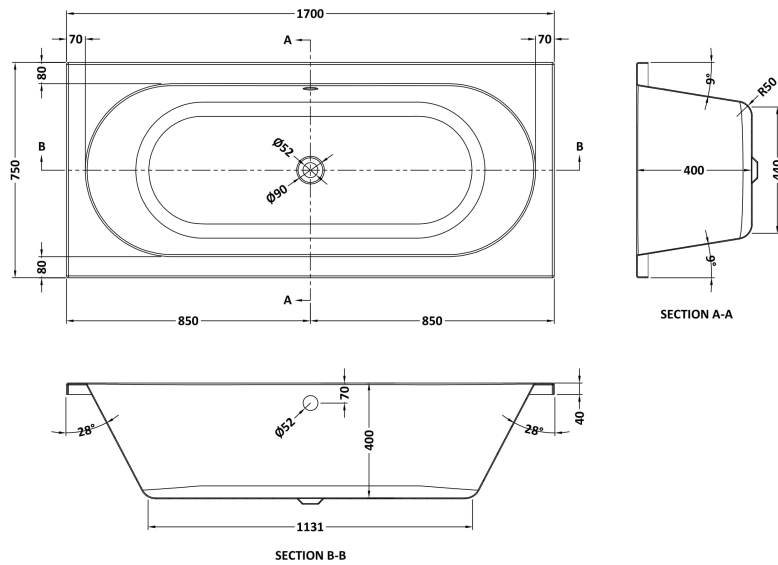
Sales Code: BDE010

Description: Round De Bath & Leg Set 1700X750 EI



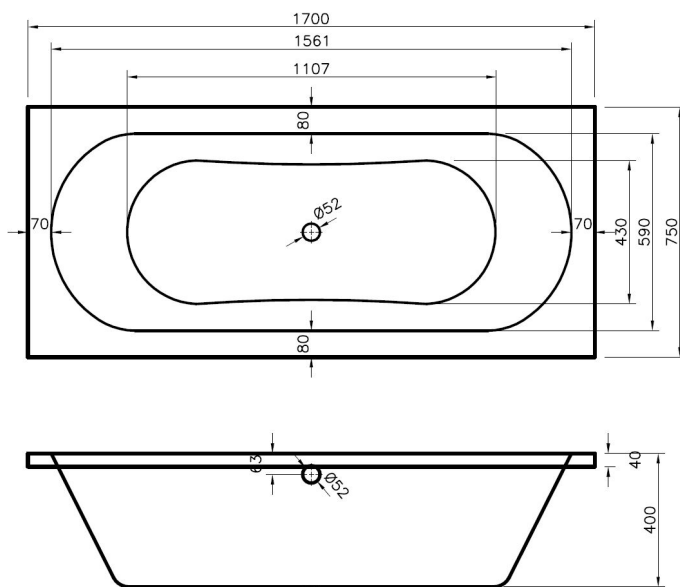
Packaging Details

Barcode: 5055369060894



Sales Code: BDE010NL

Description: Round Double Ended Bath 1700X750 (EI)



Product Dimensions

Length (mm):	1700
Width (mm):	750
Depth (mm):	400
Nett Weight (kg):	29

Packaging Dimensions

Length (mm):	1700
Width (mm):	750
Depth (mm):	400
Gross Weight (kg):	29

Packaging Data

Box Colour:	Brown Cardboard Sleeve
Box Qty:	1
Label Size:	192 x 38
Label Colour:	White Label
Label Qty:	1

Outer Box Dimensions (If Applicable)

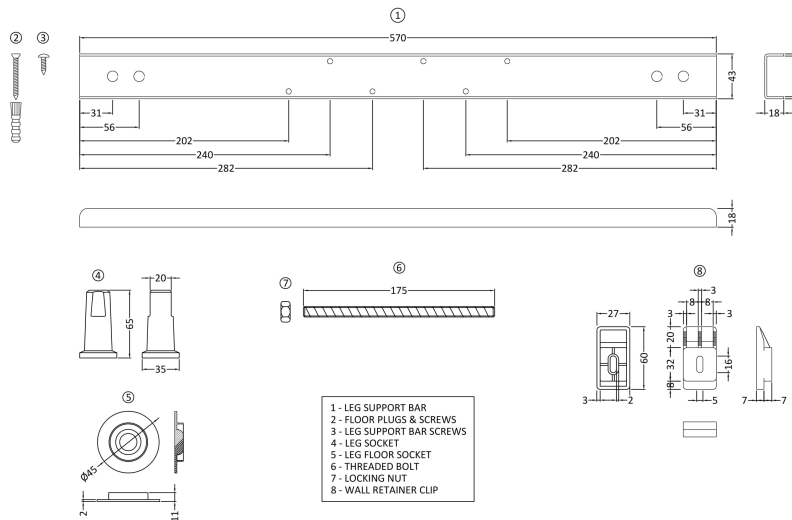
Length (mm):	
Width (mm):	
Height (mm):	
Gross Weight (kg):	
Barcode:	5055275833315

Product Details

Country of Origin:	Poland
Fitting Instruction:	No
Certification:	FSC: No CE: Yes
Material Colour Reference:	European White
Product Material:	Acrylic With Eternalite
Material Thickness:	4mm
Volume (Ltr):	180L
Displaced Capacity:	110L
Leg Set Included:	Legset Not Included
Waste Included:	Waste Not Included
Drilled/Undrilled:	Undrilled For Taps
Includes Grips:	No Grips Supplied
Embossed:	No
No of Tapholes:	None
Anti-Slip:	No

Sales Code: NBL001

Description: Leg Set



Product Dimensions

Length (mm):	570
Width (mm):	
Depth (mm):	
Nett Weight (kg):	1.9

Packaging Dimensions

Length (mm):	600
Width (mm):	60
Depth (mm):	60
Gross Weight (kg):	1.9

Packaging Data

Box Colour:	Brown Cardboard Box
Box Qty:	1
Label Size:	50 x 38
Label Colour:	White Label
Label Qty:	1

Outer Box Dimensions (If Applicable)

Length (mm):	
Width (mm):	
Height (mm):	
Gross Weight (kg):	
Barcode:	5055275833612

Product Details

Country of Origin:	Poland
Fitting Instruction:	No
Certification:	FSC: N/A CE: N/A
Material Colour Reference:	Not Applicable
Product Material:	Steel
Material Thickness:	N/A
Volume (Ltr):	N/A
Displaced Capacity:	N/A
Leg Set Included:	Not Applicable
Waste Included:	Not Applicable
Drilled/Undrilled:	Not Applicable
Includes Grips:	Not Applicable
Embossed:	Not Applicable
No of Tapholes:	Not Applicable
Anti-Slip:	Not Applicable