

PRODUCT DATA SHEET

Bella 500 Floor Cabinet Indigo Blue

Product Code: BELLA-500FLOORCAB-INDIGO



SCUDO
BEAUTIFUL BATHROOMS

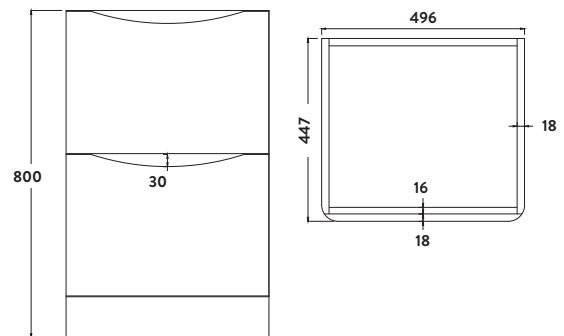
0330 124 7290

sales@scudo.co.uk - www.scudo.co.uk

Scudo is the trading name of Harrison Bathrooms Ltd. Whilst we endeavour to ensure that the product information is accurate we accept no liability for any information given. All images are for illustration purposes only. Product images and specification are subject to change. Measurement are in millimetres and are nominal.



Product Measurements	
Product Weight:	26.4kg
Product Width:	496mm
Product Height:	800mm
Product Depth:	447mm
Product Length:	N/A
Product Transportation	
Barcode:	5060713721550
Country of Origin:	UK
Comodity Code:	9403609000
Primary Packed Measurements	
Packaged Weight:	28.2kg
Packaged Length:	548mm
Packaged Width:	600mm
Packaged Height:	900mm
Packaging Weight	
Card:	1.6kg
Paper:	N/A
Wood:	N/A
Plastic:	0.002kg
General Information	
Construction Material:	Melamine
Installation Type:	Floor Mounted
Colour/Finish:	Indigo Blue
Furniture Attributes	
Supplied Fully Assembled:	Yes
Numbers of Drawers:	2
Number of Doors:	0
Soft Close Doors/Drawers:	Yes
Moisture Resistant:	Yes
Internal Shelves:	0
Door Opening Width:	N/A
Draw Opening Distance:	355mm
Advised Concealed Cistern:	N/A
False Draws:	No
Number of False Draws:	N/A
Hinge Location:	N/A
Compatible Furniture Code:	BELLA
Compatible Basin Part Code:	BELLA-500BASIN BELLA-COUNTERTOP-500-GWTE
Handles	
Handle Style:	Recessed Cut Out
Handle Finish:	N/A
Handle Material:	N/A
Number of Handles:	2
Compliance DOP	
HBDOC059 / HBDOC058	



Dimensions
(measurements in mm)



LIFETIME GUARANTEE

We are confident in our products and we want our customer to be, we proudly give a lifetime guarantee on our taps and showers, further details can be found on our website