

PRODUCT DATA SHEET

Bella 900 Wall Cabinet

Indigo Blue

Product Code: BELLA-900WALLCAB-INDIGO

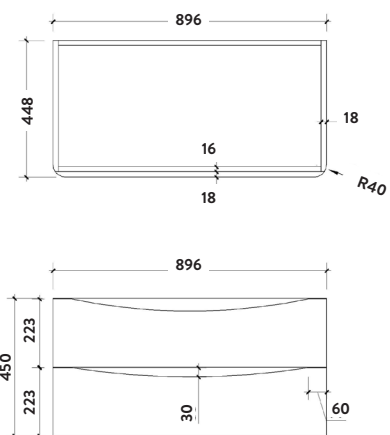
0330 124 7290

sales@scudo.co.uk - www.scudo.co.uk



Scudo is the trading name of Harrison Bathrooms Ltd. Whilst we endeavour to ensure that the product information is accurate we accept no liability for any information given. All images are for illustration purposes only. Product images and specification are subject to change. Measurement are in millimetres and are nominal.

Product Measurements	
Product Weight:	28.5kg
Product Width:	448mm
Product Height:	450mm
Product Depth:	896mm
Product Length:	N/A
Product Transportation	
Barcode:	5060500645434
Country of Origin:	UK
Comodity Code:	9403609000
Primary Packed Measurements	
Packaged Weight:	30.4kg
Packaged Length:	548mm
Packaged Width:	1000mm
Packaged Height:	550mm
Packaging Weight	
Card:	2.01kg
Paper:	N/A
Wood:	N/A
Plastic:	0.4kg
General Information	
Construction Material:	Melamine
Installation Type:	Wall Mounted
Colour/Finish:	Indigo Blue
Furniture Attributes	
Supplied Fully Assembled:	Yes
Numbers of Drawers:	2
Number of Doors:	0
Soft Close Doors/Drawers:	Yes
Moisture Resistant:	Yes
Internal Shelves:	0
Door Opening Width:	N/A
Draw Opening Distance:	255mm
Advised Concealed Cistern:	N/A
False Draws:	No
Number of False Draws:	N/A
Hinge Location:	N/A
Compatible Furniture Code:	BELLA
Compatible Basin Part Code:	BELLA-900BASIN BELLA-COUNTERTOP-900-GWTE
Handles	
Handle Style:	Recessed Cut Out
Handle Finish:	N/A
Handle Material:	N/A
Number of Handles:	2
Compliance DOP	
HBDOC059 / HBDOC058	



Dimensions

(measurements in mm)



LIFETIME GUARANTEE

We are confident in our products and we want our customer to be, we proudly give a lifetime guarantee on our taps and showers, further details can be found on our website