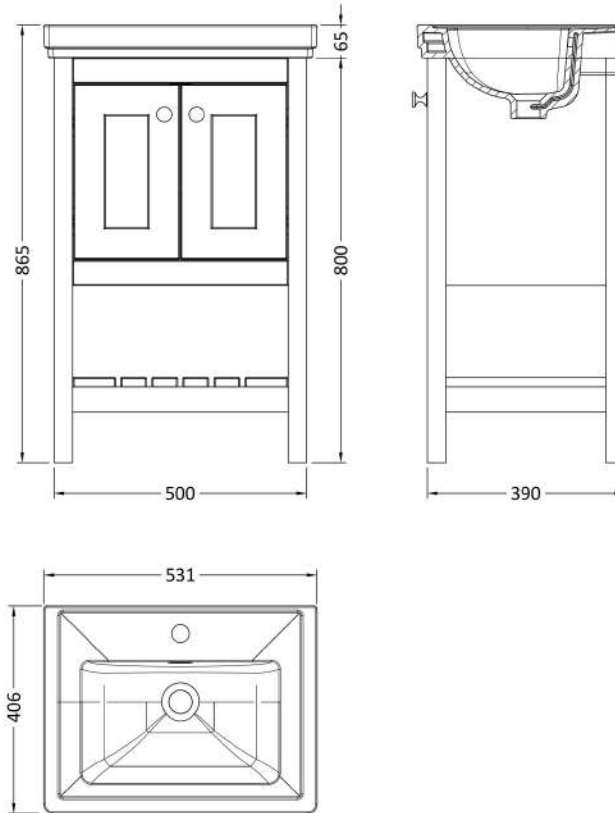


Sales Code: BEX823A

Description: 500 F/S 2-Door & Classic Basin 1Th

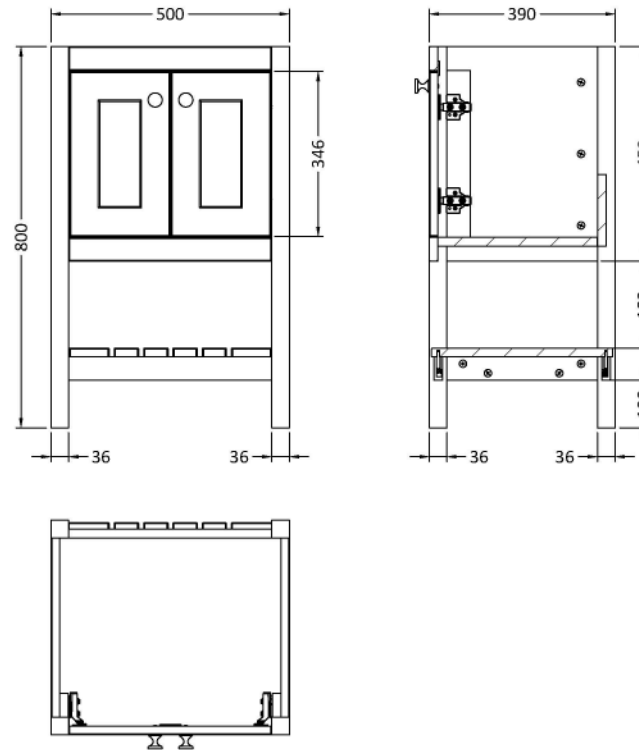


### Packaging Details

Barcode: 5056678422878

Sales Code: BEX823

Description: 500 F/S 2-Door Unit



### Product Dimensions

|                   |      |
|-------------------|------|
| Height (mm):      | 800  |
| Width (mm):       | 695  |
| Depth (mm):       | 450  |
| Nett Weight (kg): | 17.5 |

### Packaging Dimensions

|                    |     |
|--------------------|-----|
| Height (mm):       | 820 |
| Width (mm):        | 520 |
| Depth (mm):        | 410 |
| Gross Weight (kg): | 18  |

### Packaging Data

|               |                     |
|---------------|---------------------|
| Box Colour:   | Brown Cardboard Box |
| Box Qty:      | 0                   |
| Label Size:   | 0 x 0               |
| Label Colour: | White Label         |
| Label Qty:    | 0                   |

### Outer Box Dimensions (If Applicable)

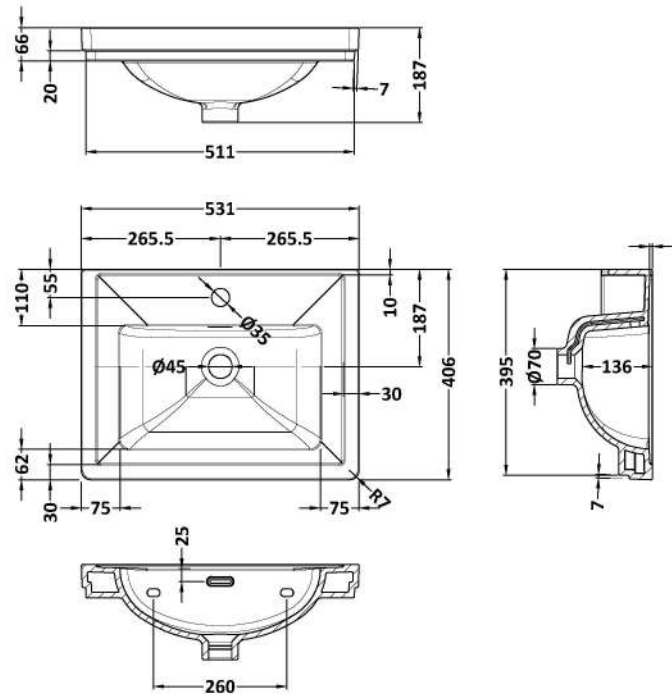
|                    |               |
|--------------------|---------------|
| Height (mm):       |               |
| Width (mm):        |               |
| Depth (mm):        |               |
| Gross Weight (kg): |               |
| Barcode:           | 5056678422632 |

### Product Details

|                          |                              |
|--------------------------|------------------------------|
| Country of Origin:       | Ireland                      |
| Fitting Instruction:     | Yes                          |
| CE & UKCA:               |                              |
| FSC Certified Materials: | Yes                          |
| Colour:                  | Matt Green                   |
| Construction Method:     | Cam & Wood Dowel             |
| Construction Type:       | Rigid                        |
| Cabinet Finish:          | Mdf Vinyl Textured Woodgrain |
| Fascia Finish:           | Mdf Vinyl Textured Woodgrain |
| Cabinet Thickness (mm):  | 18                           |
| Fascia Thickness (mm):   | 18                           |
| Drawer Included:         | No                           |
| Drawer Type:             | Not Applicable               |
| No of Shelves:           | 2                            |
| Hinge Type:              | 95 Degree Inset Clip-On S/C  |
| Hinge Included:          | Yes                          |
| Adjustable Legs:         | Not Applicable               |
| Fixings Included:        | Not Required                 |
| Handle Style:            | Traditional                  |
| Waste Shroud:            | No                           |
| Handle Included:         | Yes                          |
| Handle Type:             | Knob                         |

Sales Code: CBM502

Description: 500 Classic Basin (540X410x185) 1Th



### Product Dimensions

|                   |      |
|-------------------|------|
| Height (mm):      | 0    |
| Width (mm):       | 0    |
| Depth (mm):       | 0    |
| Nett Weight (kg): | 12.7 |

### Packaging Dimensions

|                    |     |
|--------------------|-----|
| Height (mm):       | 430 |
| Width (mm):        | 550 |
| Depth (mm):        | 220 |
| Gross Weight (kg): | 13  |

### Packaging Data

|               |                               |
|---------------|-------------------------------|
| Box Colour:   | Brown Cardboard Box - Printed |
| Box Qty:      | 0                             |
| Label Size:   | 0 x 0                         |
| Label Colour: | White Label                   |
| Label Qty:    | 0                             |

### Outer Box Dimensions (If Applicable)

|                    |               |
|--------------------|---------------|
| Height (mm):       |               |
| Width (mm):        |               |
| Depth (mm):        |               |
| Gross Weight (kg): |               |
| Barcode:           | 5056462643632 |

### Product Details

|                              |                        |
|------------------------------|------------------------|
| Country of Origin:           | Utd.Arab.Emir.         |
| Fitting Instruction:         | No                     |
| Certification: CE & UKCA: No | WRAS: N/A WRAS No: N/A |
| Product Material:            | Fireclay               |
| Fixing Supplied:             | No                     |

**Pans/Bidets:** Trap Style: N/A Includes Seat: Not Applicable

**Seats:** Seat Type: N/A Material: Not Applicable  
Function: Not Applicable Hinge Type: Not Applicable  
Hinge Material: Not Applicable

**Cisterns:** Operating Type: Not Applicable Fittings: Not Applicable  
Lever Type: Not Applicable

**Basins:** Tap Hole: One Taphole Chain Stay Hole: No  
Template: Not Required Waste Type Req: Slotted  
Overflow Inc: Yes Overflow Cover: Yes  
Inner Bowl Depth (mm): 136 mm