

BI4060 / BI4280

FITTING INSTRUCTIONS

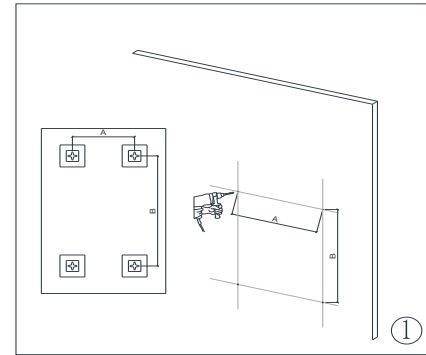
BI4060 / BI4280

WARNING

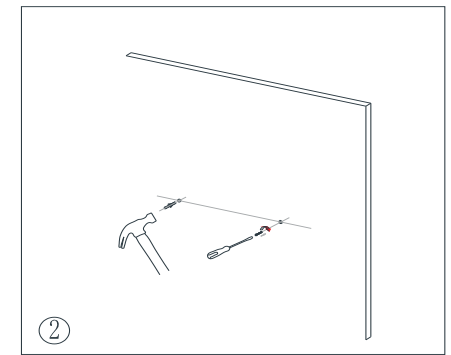
Do not stand the mirror upright on hard surfaces whilst fitting, as this will damage the edge.

Keep the plastic corner protectors on until installation is fully completed.

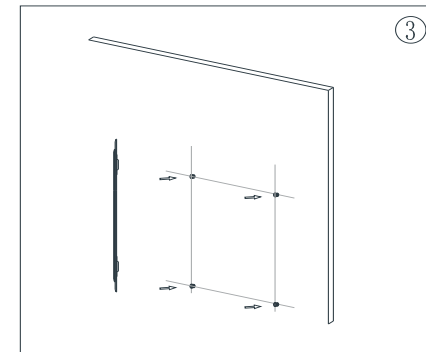
Mirror can be mounted portrait or landscape



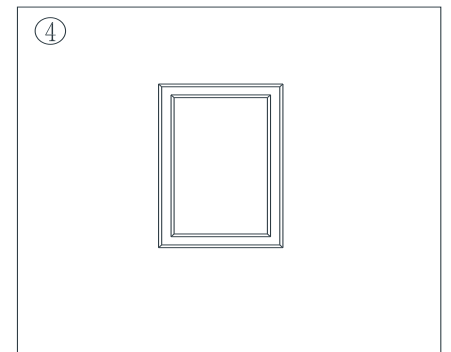
Measure the distance of the mounting hole, Drill holes with a suitable sized drill.



Insert the wall plug and mounting screw into the wall.



and hang the mounting hole to the screw on the wall.



Peel off protective film and clean the mirror with damp cloth.

After care

Never use bleach based or window cleaning solution as these may damage the backing of the mirror. We recommend a damp cloth to remove splashes.