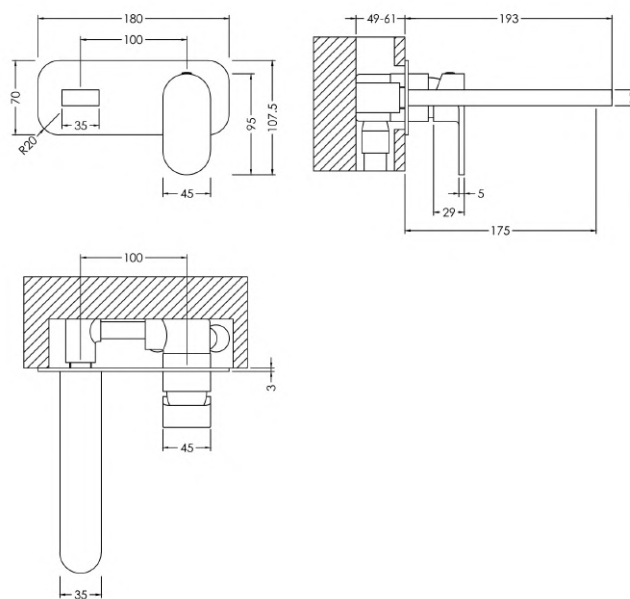
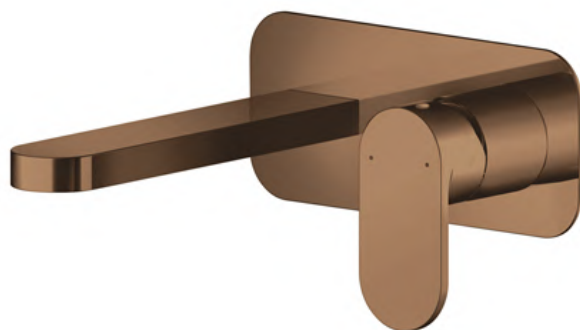


Sales Code: BIN1528

Description: Binsey W/M 2Th Basin Mixer With Plate



Product Dimensions

Height (mm):	80
Width (mm):	180
Depth (mm):	193
Length (mm):	
Nett Weight (kg):	1.86

Packaging Dimensions

Height (mm):	115
Width (mm):	205
Depth (mm):	250
Gross Weight (kg):	1.86

Packaging Data

Box Colour:	White Cardboard Box
Box Qty:	1
Label Size:	100 x 50
Label Colour:	White Label
Label Qty:	1

Outer Box Dimensions (If Applicable)

Height (mm):	600
Width (mm):	435
Depth (mm):	265
Length (mm):	
Gross Weight (kg):	
Barcode:	5056678476819

Product Details

Country of Origin:	China
Fitting Instruction:	No
Product Material:	Brass
Control Type:	Manual
Waste Included:	Waste Not Included
Waste Type:	Not Applicable
WRAS Approval: Yes	Approval No: 250702015
Valve/Cartridge Type:	Single Lever Cartridge
Colour/Finish:	Brushed Bronze
Mount Type:	Wall
Operating Pressure (bar):	0.2
Flow Rates: (Litres Per Min)	0.1 bar: 2.8 0.5 bar: 7.1 1 bar: 10.2 2 bar: 14.8 3 bar: 18.3
Pipe Size:	1/2"
Pipe Centres:	100