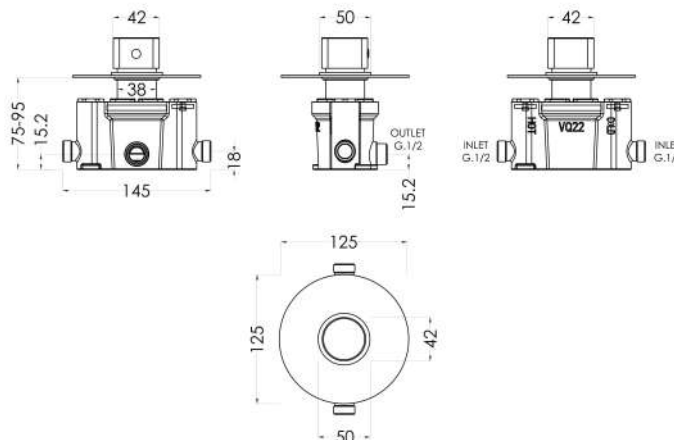


Sales Code: BINTC11

Description: Binsey Thermostatic Temp Control Valve



Product Dimensions

Length (mm):	
Width (mm):	125
Height (mm):	125
Depth (mm):	135
Nett Weight (kg):	1

Packaging Dimensions

Length (mm):	246
Width (mm):	181
Height (mm):	121
Gross Weight (kg):	1

Packaging Data

Box Colour:	White Cardboard Box
Box Qty:	0
Label Size:	0 x 0
Label Colour:	White Label
Label Qty:	0

Outer Box Dimensions (If Applicable)

Length (mm):	
Width (mm):	380
Height (mm):	750
Depth (mm):	260
Gross Weight (kg):	
Barcode:	5056211899006

Product Details

Country of Origin:	United Kingdom
Fitting Instruction:	Yes
Product Material:	Brass/ABS
Mount Type:	Recessed
Outlet Elbow Supplied:	No
Easy Clean:	Not Applicable
Head Included:	No
Handset Included:	No
Body Jets Included:	No
No of Body Jets:	Not Applicable
Operating Pressure (bar):	0.1
Valve/Cartridge Type:	Not Applicable
Flow Rates (L/min): 0.1 bar: 5.8 0.5 bar: 15.1 1 bar: 21.6 2 bar: 30.7 3 bar: 37.6	
TMV2 Approved:	No Approval No: N/A
TMV3 Approved:	No Approval No: N/A
WRAS Approved:	No Approval No: N/A
Head Function:	Not Applicable
Handset Function:	Not Applicable
Body Jet Info:	Not Applicable
Pipe Size:	15 mm (1/2" Bsp)
Pipe Centres:	N/A
Colour/Finish:	Chrome
Hose Included:	Not Applicable
No. of Outlets:	1