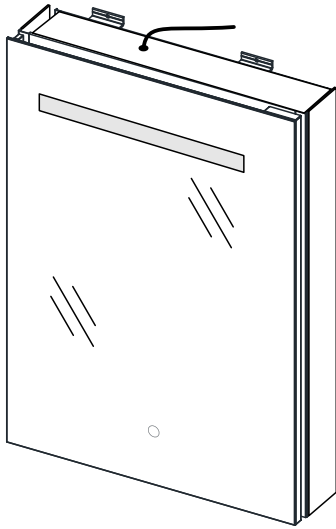


INSTALLATION INSTRUCTION

Model Code:BL7050

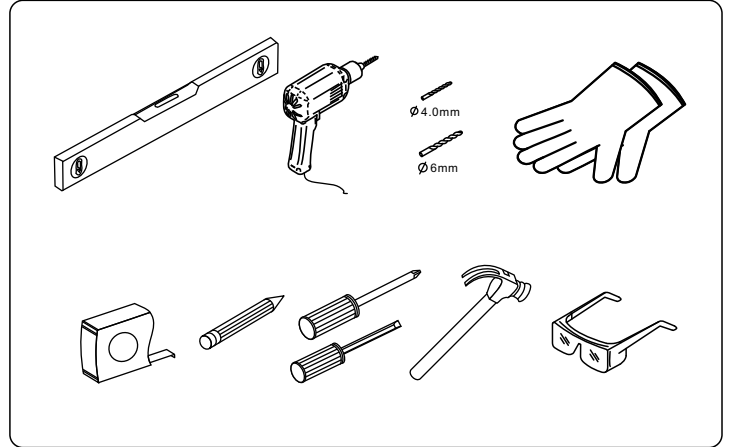
Size:500*700*120mm

● Mirror diagram



● Tools required

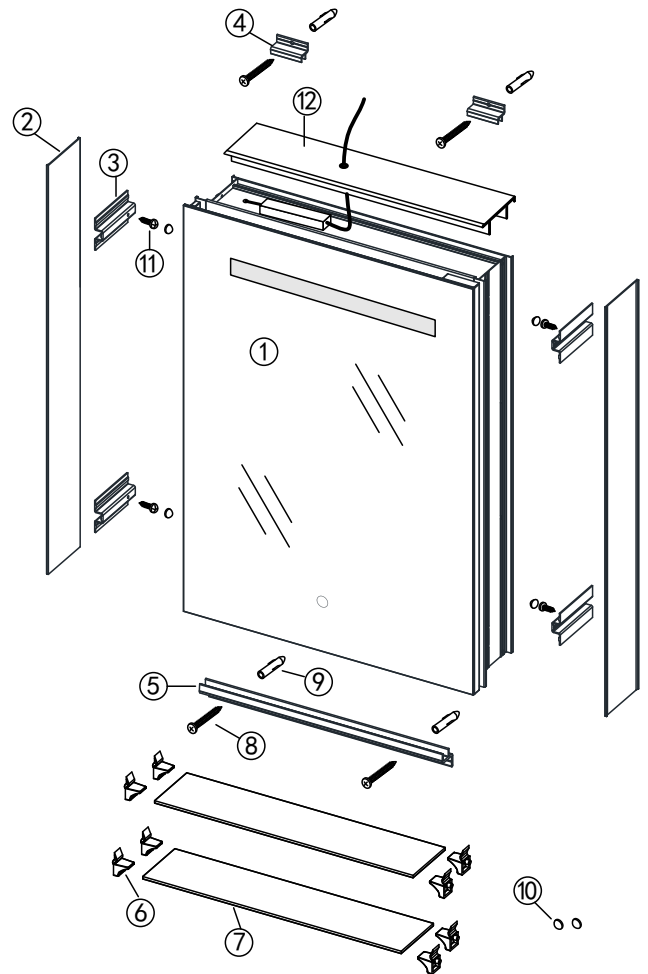
Two persons required for correct installation



● Before Installation

- Please read these instructions carefully before installation.
- Installation should be only carried out by a qualified professional.
- ENSURE THAT ELECTRICAL CONNECTIONS ARE TURNED OFF AT THE CONSUMER UNIT OR FUSE BOARD BEFORE INSTALLING OR CARRYING OUT ANY MAINTENANCE.
- Please take note of the Tools Required prior to commencement of any installation procedures.
- Follow the Installation Steps on Page 2 to ensure that the correct installation method is adhered to. Please also read all operating and safety instructions before commencing any installation to ensure complete understanding of the installation procedure.
- All information provided by these guidelines are based on the latest technical product information. We reserve the right to change the product characteristics, packaging or supply without prior notice.
- These guidelines include maintenance and cleaning advice.
- THIS PRODUCT IS FOR INDOOR USE ONLY.

● Material Statement



⚠ WARNING: There may be hidden dangers to people or product during installing. In order to avoid trapping fingers, please pay attention to the open and closed door position.

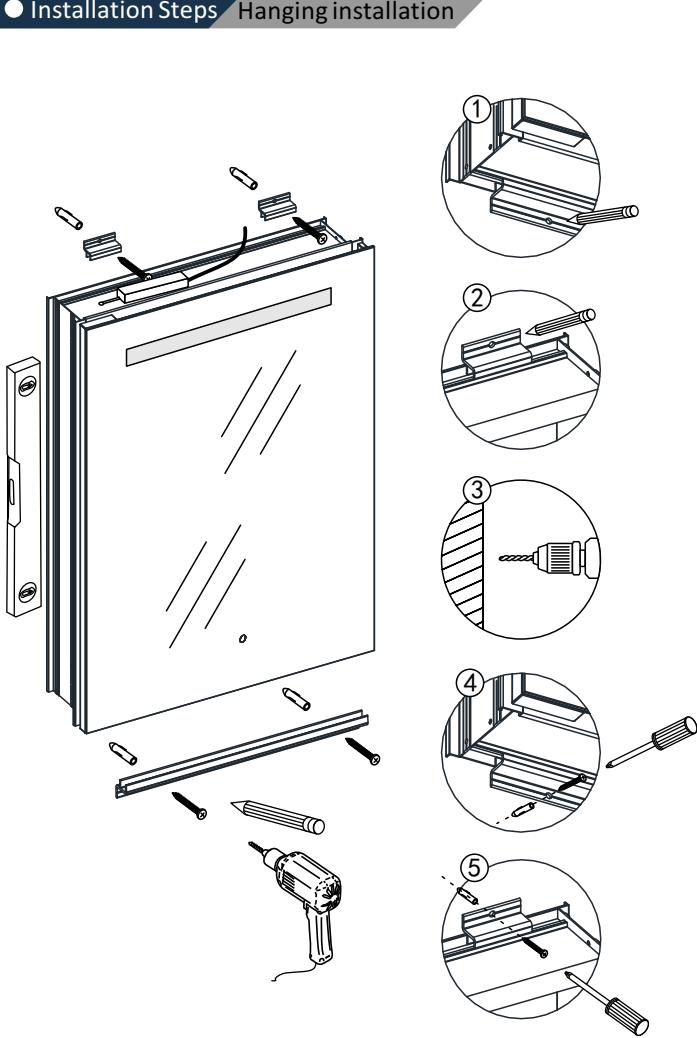
⚠ WARNING: Do not use any acidic or alkaline cleanser or alcohol on this product. Please clean with a damp soft cloth.

⚠ WARNING: Keep away from water and electricity when hanging on wall.

⚠ IMPORTANT: This product is a one-way hanging mirror. Please make sure that there are no obstacles (i.e. electrical cable / water pipework) inside the wall before commencing installation procedure.

⚠ WARNING: This product is fragile - it should be installed by a professional person with suitable protective equipment, as listed in the Tools Required above.

- | | | |
|----------------------------|------------------------|-----------------------------|
| [1] Mirror cabinet 1pc | [2] Side panel 2pcs | [3] Holder 4pcs |
| [4] Upper bracket 3pcs | [5] Bottom bracket 1pc | [6] Shelf board holder 8pcs |
| [7] Glass shelf board 2pcs | [8] ST4*35 screw 6pcs | [9] Wall plus 6pcs |
| [10] Screw cap 6pcs | [11] ST4*8 screw 4pcs | [12] Cover plate 1pc |



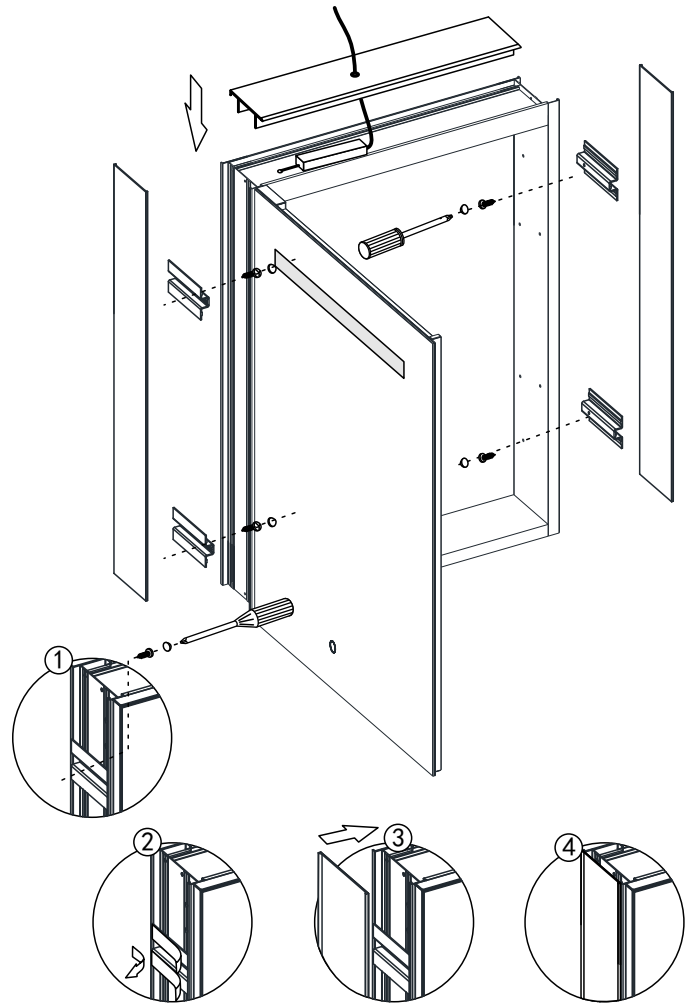
1. Install upper and bottom bracket as shown.

3. Install glass shelf board and connect wire according to the below sheet.

●STEP1 ●STEP2
●STEP3 ●STEP4

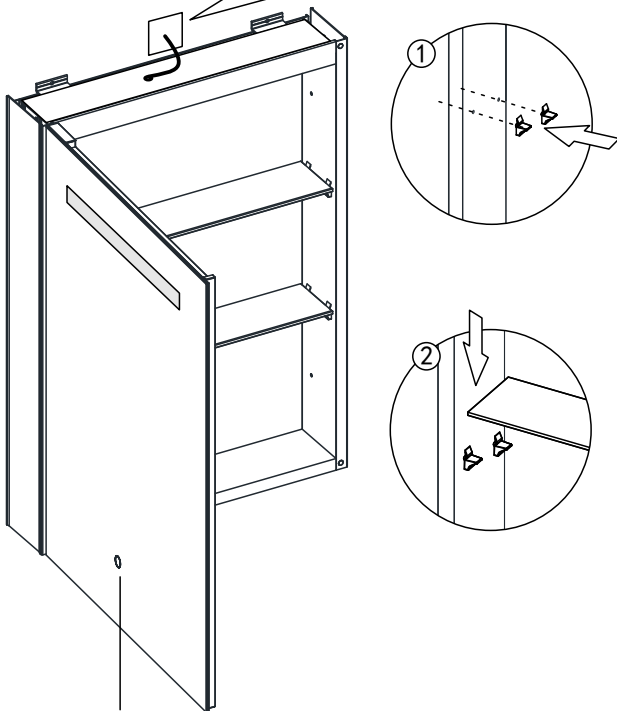
2. Install side panel and cover plate.

4. Adjust door position accordingly.



Tear the tape

Connect power
Power cables position
Input: 220-240VAC,
50/60Hz



Light ON/Off
Adjustable color temperature 3000K/4000K/6000K

