

# PRODUCT DATA SHEET

## Black Dual Handle 1 Outlet Concealed Valve

Product Code: BLACK001ORB



**SCUDO**  
BEAUTIFUL BATHROOMS

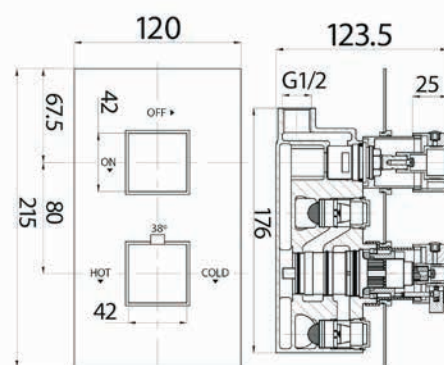
0330 124 7290

sales@scudo.co.uk - www.scudo.co.uk

Scudo is the trading name of Harrison Bathrooms Ltd. Whilst we endeavour to ensure that the product information is accurate we accept no liability for any information given. All images are for illustration purposes only. Product images and specification are subject to change. Measurement are in millimetres and are nominal.

Product Name	BLACK001ORB
Product Description	Black Square Handled Dual Concealed Shower Valve
Product Transportation	
Barcode	5060500644215
Country of origin	CH
Commodity code	8481804090
Product Measurements	
Product Weight (KG)	2.236
Product Width (mm)	120
Product Height (mm)	215
Product Depth (mm)	123.5
Product Length (mm)	0
Primary Packed Measurements	
Packaged Weight	2.48
Packed Length	25.3
Packed Width	13.6
Packed Height	14.4
Packaging Weights	
Card (kg)	0.098
Paper (kg)	0
Wood (kg)	0
Plastic (kg)	0
Compliance DOP	HBDOC042 , HBDOC043

General Information	
Construction Material	Brass / Stainless Steel
Installation type	In Wall
Colour / Finish	Brass/ Black
Tap / Shower Attributes	
WRAS Approved	Yes
TMV Approved	Yes
Minimum Operating Pressure (bar)	0.2
Maximum Operating Pressure (bar)	5
Flexible Tails Included	No
Number of tap holes required	N/a
Handle Type	Square
Swivel Spout	N/a
Inlet Connection	3/4 BSP
Outlet Connection	1/2 BSP
Tap Hole Diameter (mm)	N/a
Tap Type description	In wall Thermostatic mixer
Includes Waste	N/a
Valve / Cartridge Type	Thermostatic & Quarter Turn Cartridge
Cartridge Spare code	0
Flow Rates	
0.2bar (l/min)	0
0.5bar (l/min)	0
1bar (l/min)	0
2bar (l/min)	0
3bar (l/min)	0



### Dimensions (measurements in mm)



#### LIFETIME GUARANTEE

We are confident in our products and we want our customer to be, we proudly give a lifetime guarantee on our taps and showers, further details can be found on our website

# PRODUCT DATA SHEET

## Black Dual Handle 1 Outlet Concealed Valve

Product Code: BLACK001ORB



**SCUDO**  
BEAUTIFUL BATHROOMS

0330 124 7290

sales@scudo.co.uk - www.scudo.co.uk

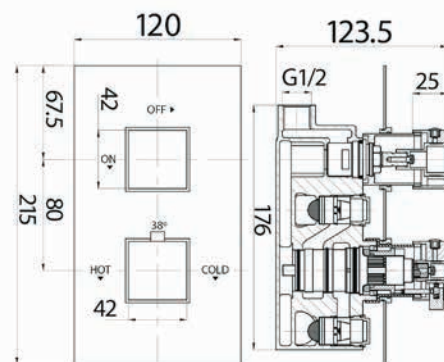
Scudo is the trading name of Harrison Bathrooms Ltd. Whilst we endeavour to ensure that the product information is accurate we accept no liability for any information given. All images are for illustration purposes only. Product images and specification are subject to change. Measurement are in millimetres and are nominal.

### Showering - Specification

Anti-Scald	Yes
Shower Diverter function	No
Number of outlets	1
Thermostatic Temperature control	Yes
Cool Touch	No
Shower Handset functions	N/a
Minimum Working Pressure	0.2
Maximum Working Pressure	0
Shape	N/a
Pipe Centres (mm)	N/a
Inlet Connection	3/4 BSP
Outlet Connection	1/2 BSP
Adjustable	N/a
Adjustment (mm)	0
Handle Type	Square

### Spares Codes

Diverter Spares	T47052-08
Thermostatic cartridge Spares	H102V



## Dimensions

(measurements in mm)



### LIFETIME GUARANTEE

We are confident in our products and we want our customer to be, we proudly give a lifetime guarantee on our taps and showers, further details can be found on our website