

PRODUCT DATA SHEET

Descent Tall Mono Basin Mixer

Product Code: BLACK252ORB



SCUDO
BEAUTIFUL BATHROOMS

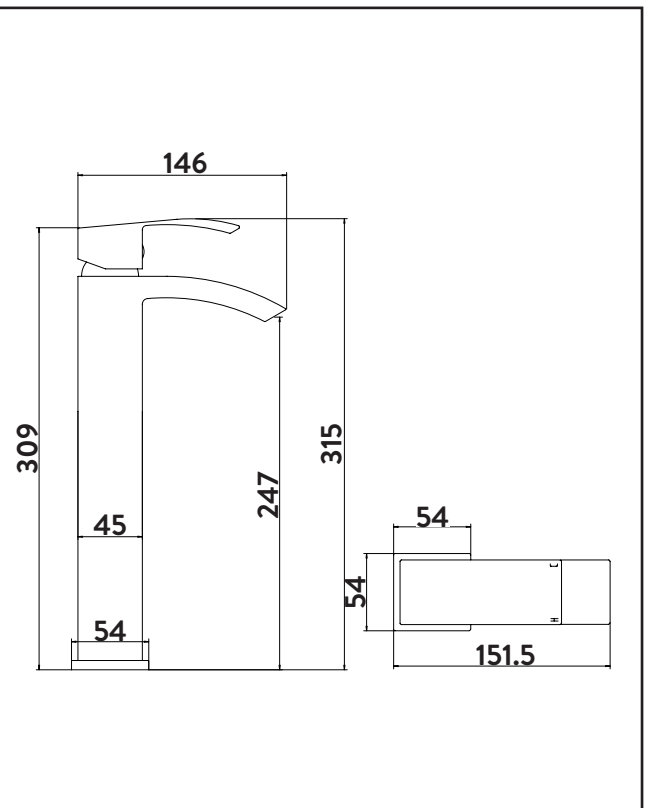
0330 124 7290

sales@scudo.co.uk - www.scudo.co.uk

Scudo is the trading name of Harrison Bathrooms Ltd. Whilst we endeavour to ensure that the product information is accurate we accept no liability for any information given. All images are for illustration purposes only. Product images and specification are subject to change. Measurement are in millimetres and are nominal.

Product Name	BLACK252ORB
Product Description	Matt Black Tall Mono Basin Mixer
Product Transportation	
Barcode	5060713724544
Contry of origin	CH
Comodity code	8481801190
Product Measurements	
Product Weight (KG)	2.15
Product Width (mm)	54
Product Height (mm)	315
Product Depth (mm)	0
Product Length (mm)	0
Primary Packed Measurements	
Packaged Weight	2.218
Packed Length	33.5
Packed Width	20
Packed Height	6.8
Packaging Weights	
Card (kg)	0.068
Paper (kg)	0
Wood (kg)	0
Plastic (kg)	0.009
Compliance DOP	HBD0C007 , HBD0C008

General Information	
Construction Material	Brass
Installation type	Tall Mono Mixer
Colour / Finish	Matt Black
Tap / Shower Attributes	
WRAS Approved	No
TMV Approved	No
Minimum Operating Pressure (bar)	0.2
Maximum Operating Pressure (bar)	5
Flexible Tails Included	Yes
Number of tap holes required	1
Handle Type	Lever
Swivel Spout	No
Inlet Connection	1/2" M10
Outlet Connection	N/a
Tap Hole Diameter (mm)	35
Tap Type description	Mono Mixer
Includes Waste	No
Valve / Cartridge Type	Single lever cartriges 35mm
Cartridge Spare code	N/a
Flow Rates	
0.2bar (l/min)	2.3
0.5bar (l/min)	5.4
1bar (l/min)	7.8
2bar (l/min)	11.4
3bar (l/min)	14



Dimensions
(measurements in mm)



LIFETIME GUARANTEE

We are confident in our products and we want our customer to be, we proudly give a lifetime guarantee on our taps and showers, further details can be found on our website.