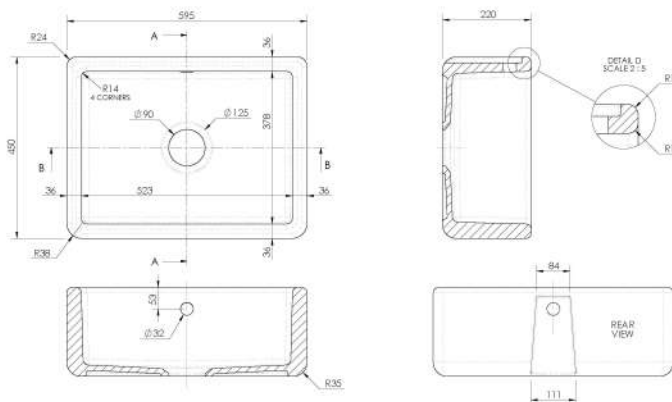


Sales Code: BU17124

Description: Sgl Bowl Thick C/W 595X450x220



Product Dimensions

Height (mm):	220
Width (mm):	595
Depth (mm):	450
Nett Weight (kg):	40

Packaging Dimensions

Height (mm):	225
Width (mm):	620
Depth (mm):	460
Gross Weight (kg):	40.5

Packaging Data

Box Colour:	Brown Cardboard Box
Box Qty:	1
Label Size:	100 x 50
Label Colour:	White Label
Label Qty:	2

Outer Box Dimensions (If Applicable)

Height (mm):	
Width (mm):	
Depth (mm):	
Gross Weight (kg):	
Barcode:	5056678471333

Product Details

Country of Origin:	Utd.Arab.Emir.	
Fitting Instruction:		
Certification: CE & UKCA:	WRAS:	WRAS No:
Product Material:		
Fixing Supplied:		

Pans/Bidets: Trap Style: _____ Includes Seat: _____

Seats: Seat Type: _____ Material: _____
 Function: _____ Hinge Type: _____
 Hinge Material: _____

Cisterns: Operating Type: _____ Fittings: _____
 Lever Type: _____

Basins: Tap Hole: _____ Chain Stay Hole: _____
 Template: _____ Waste Type Req: _____
 Overflow Inc: _____ Overflow Cover: _____
 Inner Bowl Depth (mm): 198