

PRODUCT DATA SHEET

Burlington[®]



PRODUCT CODE

BUTBRACEC

RANGE

Showering

DESCRIPTION

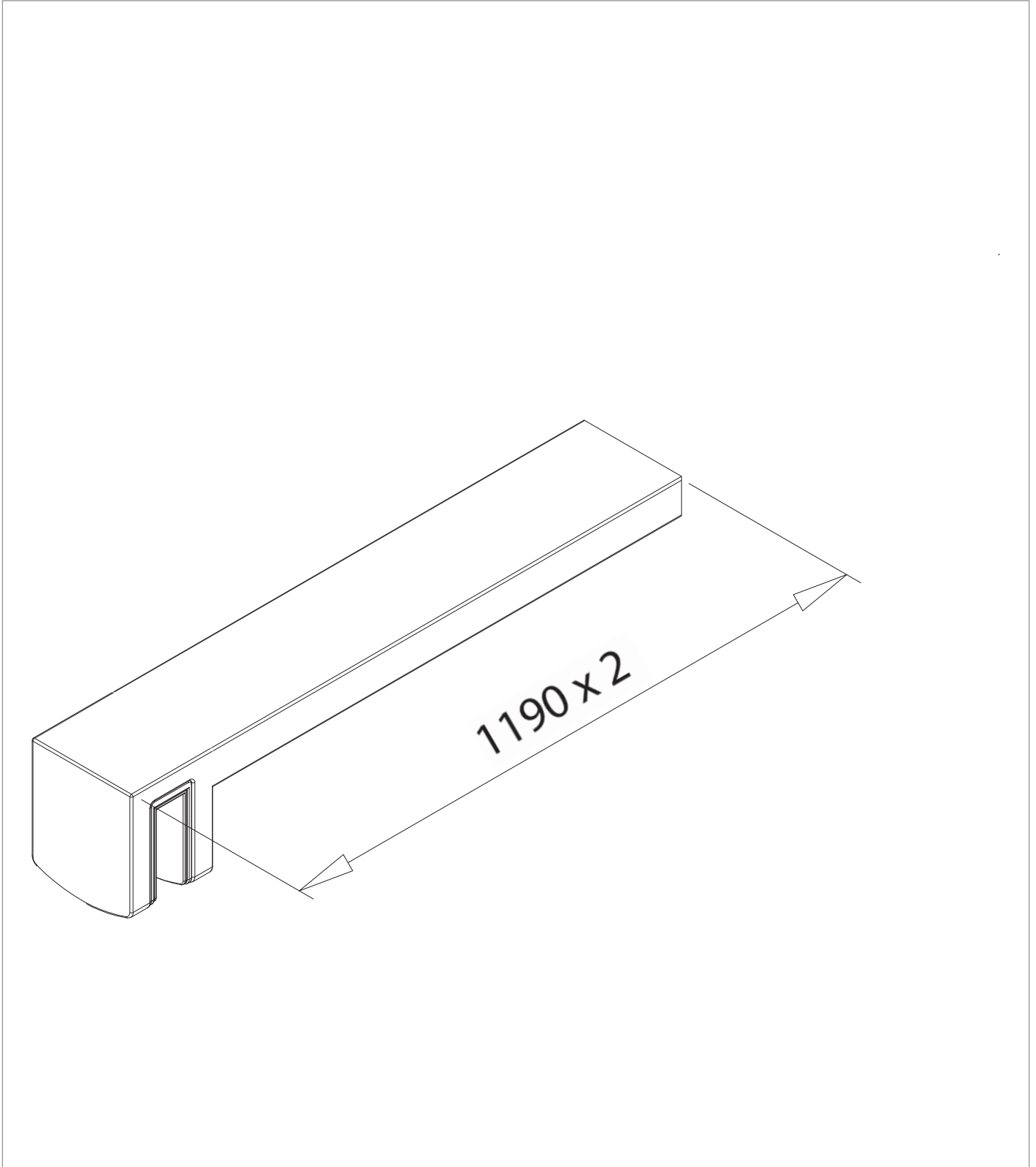
Burlington T Brace Bar Polished Stainless Steel

CATEGORY	Showering
WARRANTY DETAILS	2 Years
COLOUR	Polished Stainless Steel
FINISH APPLICATION	PVD
PRIMARY MATERIAL	304 Stainless Steel
INSTALL TYPE	Wall Mounted
PRODUCT LENGTH MM	1190
PRODUCT NET WEIGHT KG	2.2
STANDARDS	EN14428

TECHNICAL DIMENSIONS

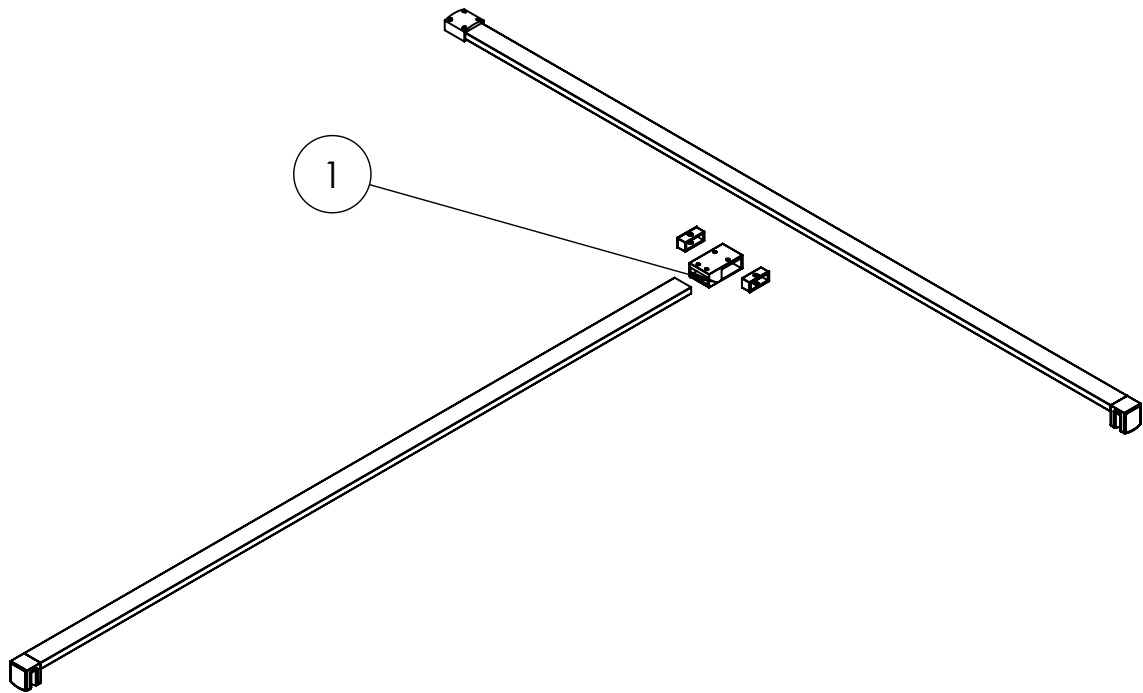
Dimensions in mm unless otherwise specified.

Tolerances (per material type) apply.



SPARES LIST

Only the parts labelled are available as spares.



NUMBER	PART CODE	DESCRIPTION
1	SP1760	Burlington 8 Wall Bracket, T Connector, Screw Cover, Gasket Brushed Nickel
	SP1759	Burlington 8 Wall Bracket, T Connector, Screw Cover, Gasket Gold
	SP1758	Burlington 8 Wall Bracket, T Connector, Screw Cover, Gasket Polished Stainless Steel