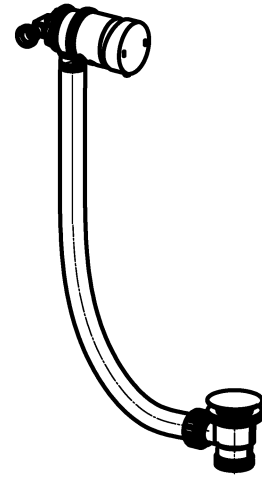
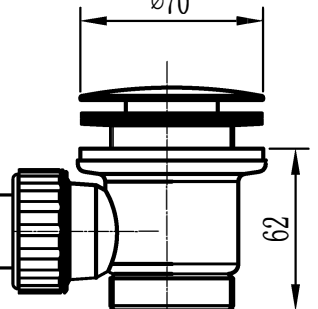


Ø33



620

Ø70



G1 1/2"
