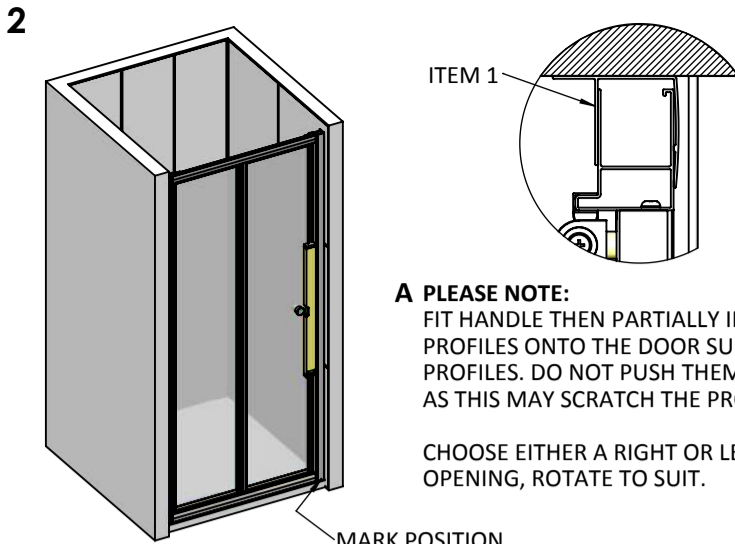


ENSURE THE TRAY IS LEVEL IN ALL PLANES.



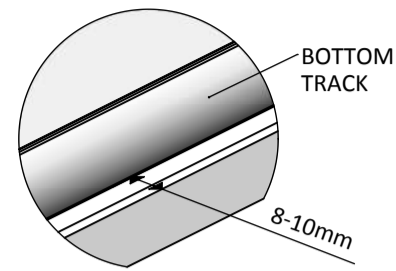
**A PLEASE NOTE:**  
FIT HANDLE THEN PARTIALLY INSERT THE WALL PROFILES ONTO THE DOOR SUB-ASSEMBLY PROFILES. DO NOT PUSH THEM ALL THE WAY IN AS THIS MAY SCRATCH THE PROFILE.

CHOOSE EITHER A RIGHT OR LEFT HAND OPENING, ROTATE TO SUIT.

MARK POSITION WITH A PENCIL.

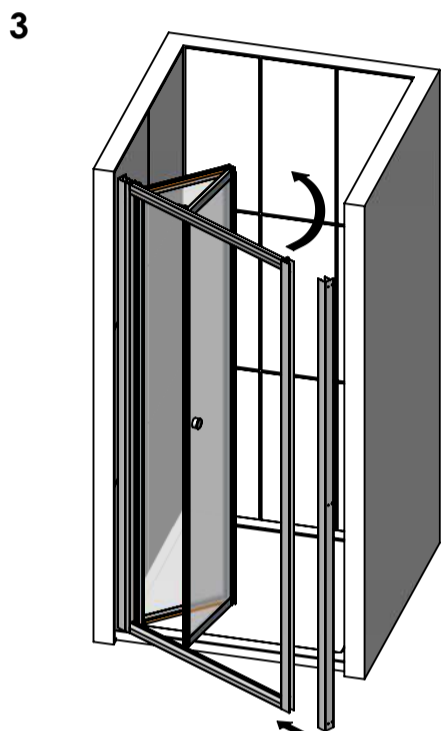
**B IMPORTANT**  
OFFER THE FRAME ONTO THE TRAY FIRST. SET THE BOTTOM TRACK BACK FROM THE FRONT FACE OF THE TRAY\*. MAKE SURE THE WALL PROFILES REACH THE WALL. IF THEY DON'T, CHECK THE OPENING IS COMPLIANT WITH THE ADJUSTMENTS LISTED ON THE BOX. ONCE ADJUSTED, MARK THE WALL PROFILE POSITION WITH A PENCIL AND REMOVE THE FRAME.

**C** REPLACE BOTH WALL PROFILES WHERE MARKED; USE A SPIRIT LEVEL TO ENSURE THE WALL PROFILES ARE VERTICALLY TRUE THEN MARK POSITION OF THE WALL PROFILES THROUGH THE FIXING HOLES. DRILL AND PLUG THE WALLS, ITEM 12. **THE WALL PLUGS SUPPLIED MAY NOT BE SUITABLE FOR YOUR SUBSTRATE, USE SUITABLE FIXINGS.** NOW FIT THE WALL PROFILE THAT WILL BE OPPOSITE TO THE HANDLE SIDE, USING ITEMS 8, 10 & 11.



\*8-10mm IS A GUIDE FOR WHEN FITTING WITH A SIDE PANEL. FOR ALCOVE, FIT AS REQUIRED.

\*IF INSTALLING WITH A SIDE PANEL PLEASE REFER TO THE SIDE PANEL INSTRUCTION WITHIN THE SIDE PANEL BOX.\*



BEFORE FITTING THE ENCLOSURE FRAME OVER THE WALL PROFILE PLEASE REFER TO STEP 6 AND MAKE ANY ADJUSTMENTS THAT MAYBE NECESSARY.

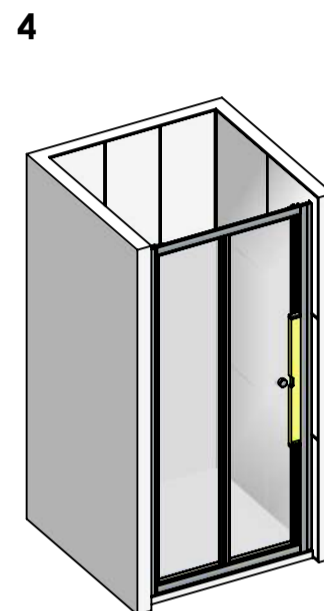
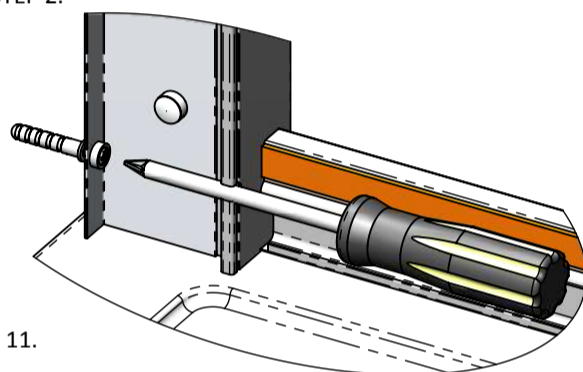
FIT THE OPPOSITE WALL PROFILE TO THE END OF THE FRAME. SLIDE THE ASSEMBLY OVER THE FIXED WALL PROFILE, AT A SLIGHT ANGLE (AS SHOWN).

SWING THE ENCLOSURE INTO THE ALCOVE MAKING SURE THE BOTTOM TRACK IS PARALLEL WITH THE FRONT EDGE OF THE TRAY.

NOW SLIDE THE OPPOSITE WALL PROFILE OUT TO MEETR THE WALL AND ALIGN WITH WALL PLUGS FROM STEP 2.

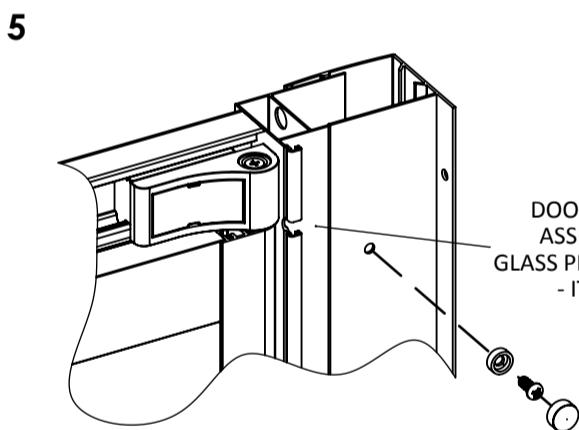
OPEN THE DOOR SO YOU CAN FIX THE OPPOSITE WALL PROFILE USING A SCREWDRIVER THROUGH THE VERTICAL PROFILE SLOTS, IF APPLICABLE.

FIX THE WALL PROFILE TO THE WALL USING ITEMS 8, 10 & 11.



CENTRALISE THE DOOR WITHIN THE WALL PROFILES UNTIL THERE'S AN EQUAL AMOUNT OF WALL PROFILE IN THE FRAME. ENSURE THE DOOR FRAME IS TRUE AND SQUARE ON BOTH SIDES BEFORE FIXING IN PLACE.

USE A SPIRIT LEVEL.



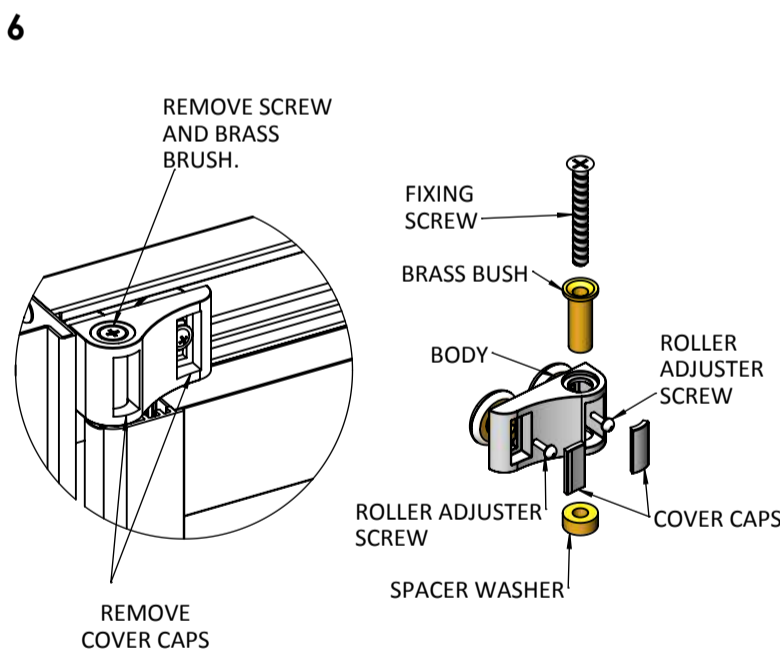
DOOR SUB-ASSEMBLY GLASS PROFILE - ITEM 1.

WHEN THE FRAME IS READY TO BE FIXED, DRILL THROUGH THE PRE-DRILLED HOLES IN THE DOOR SUB-ASSEMBLY GLASS PROFILES WITH A 3mm DRILL BIT.

**(MAKE SURE YOU ONLY DRILL THROUGH ONE WALL THICKNESS.)**

THEN FIX THE FRAME IN PLACE USING ITEMS 9, 10 & 11.

DON'T OVER TIGHTEN SCREWS.



CHECK THE DOOR RUNS SMOOTH AND THE ROLLER DOESN'T CATCH ON THE TRAY AT THE BOTTOM.

IF IT DOES ADJUST AS FOLLOWS:

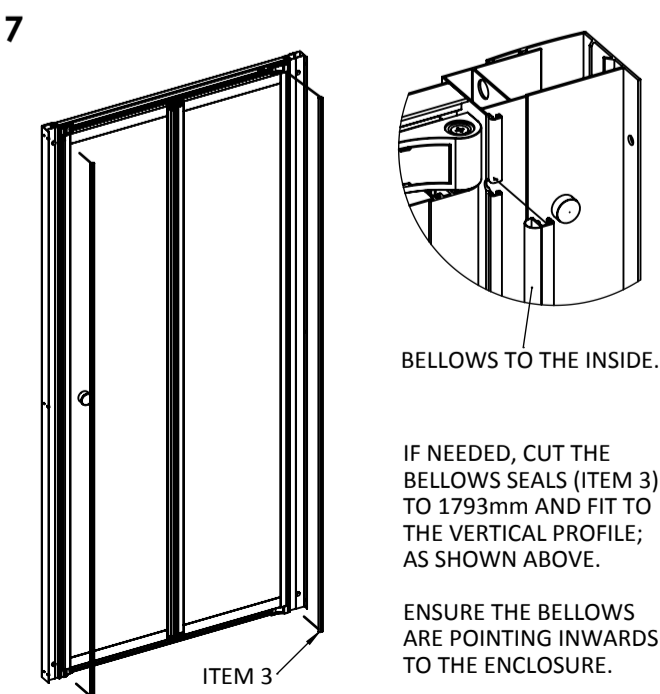
REMOVE THE COVER CAPS ON THE ROLLER BODY; AS SHOWN.

REMOVE THE TOP SCREW AND BRASS BUSH TO ADJUST ROLLER SCREW HEIGHT.

WHEN ADJUSTING THE BOTTOM ROLLER, YOU WILL NEED TO REMOVE THE SCREWS INSERTED ON STEP 5. THESE NEED TO BE REMOVED SO THAT THE DOOR CAN BE SLID UPWARDS WITHIN THE WALL PROFILES TO GAIN ACCESS.

ENSURE ALL ROLLER SCREWS ARE TIGHT AND REFIT BRASS BUSH AND SCREW. ENSURE THE SPACER WASHER BETWEEN THE ROLLER AND DOOR VERTICAL PROFILE IS PROPERLY IN PLACE. NOW REFIT THE SCREWS FROM STEP 5.

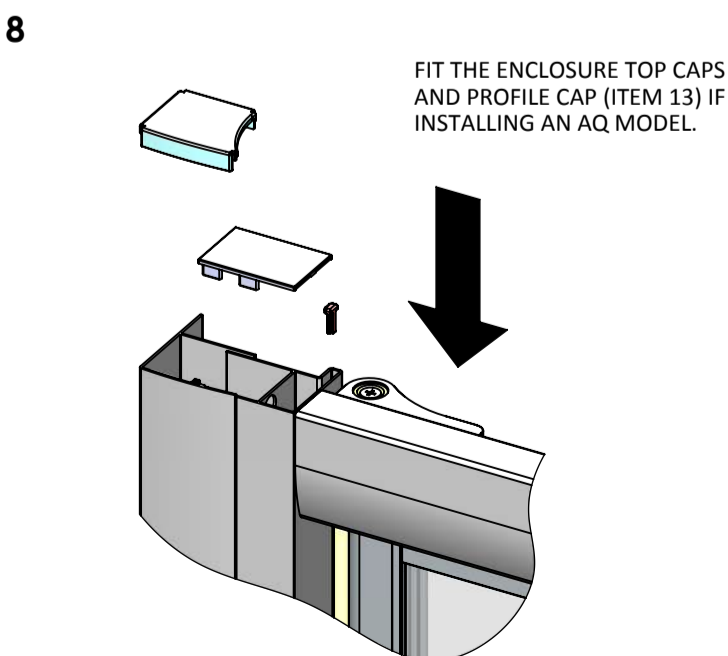
RECHECK THE DOOR AGAIN FOR OPERATION, IT SHOULD BE SMOOTH AND HAVE NO INTERFERENCE.



BELLOWS TO THE INSIDE.

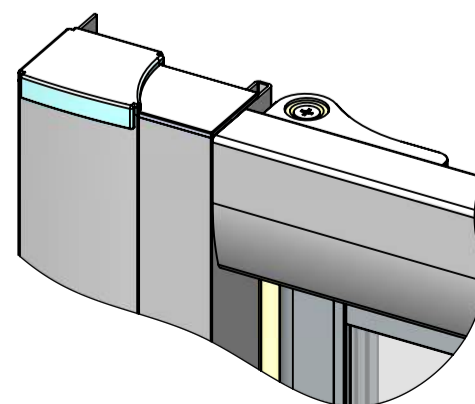
IF NEEDED, CUT THE BELLOWS SEALS (ITEM 3) TO 1793mm AND FIT TO THE VERTICAL PROFILE; AS SHOWN ABOVE.

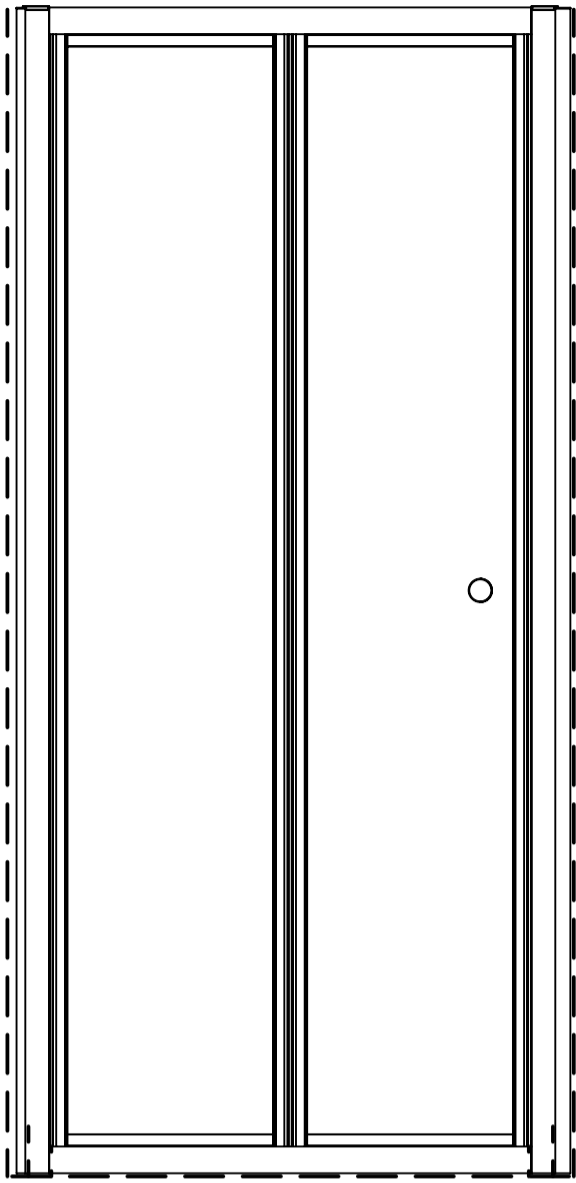
ENSURE THE BELLOWS ARE POINTING INWARDS TO THE ENCLOSURE.



FIT THE ENCLOSURE TOP CAPS AND PROFILE CAP (ITEM 13) IF INSTALLING AN AQ MODEL.

IF INSTALLING WITH AN ELLA SIDE PANEL, YOU WILL NEED TO NOTCH THE CORNER POST TOP CAP BEFORE FITTING.





EXTERNALLY SILICONE SEAL THE WALL PROFILES WHERE THEY MEET THE WALL AND THE BOTTOM PROFILE WHERE IT MEETS THE TRAY. ALL IN A CONTINUOUS BEAD.

ALSO SILICONE SEAL WHERE THE TOP & BOTTOM TRACKS MEET THE DOOR SUB ASSEMBLY VERTICAL PROFILES. AS SHOWN IN THE DETAILED VIEW BELOW.

DO NOT SILICONE INSIDE THE ENCLOSURE.

ALLOW THE SILICONE AT LEAST 24 HOURS TO FULLY CURE.

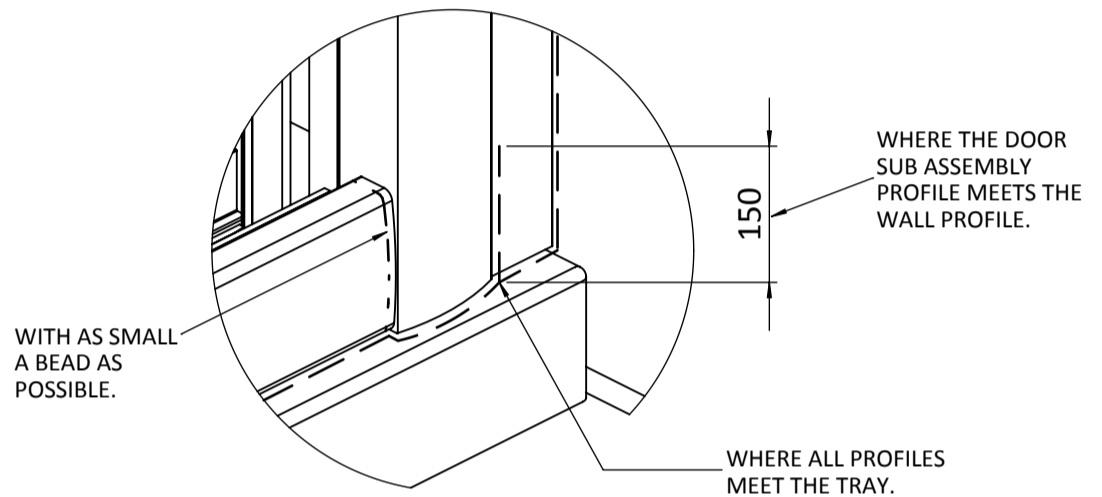
**AFTERCARE** - ENSURE YOU CLEAN YOUR PRODUCT USING A MILD DETERGENT DILUTED IN WATER, REMOVING ANY RESIDUE WITH A SOFT DAMP CLOTH.

**MAINTENANCE** - ENSURE MOVING PARTS ARE FREE FROM ANY DEBRIS OR SOAP BUILD UP.

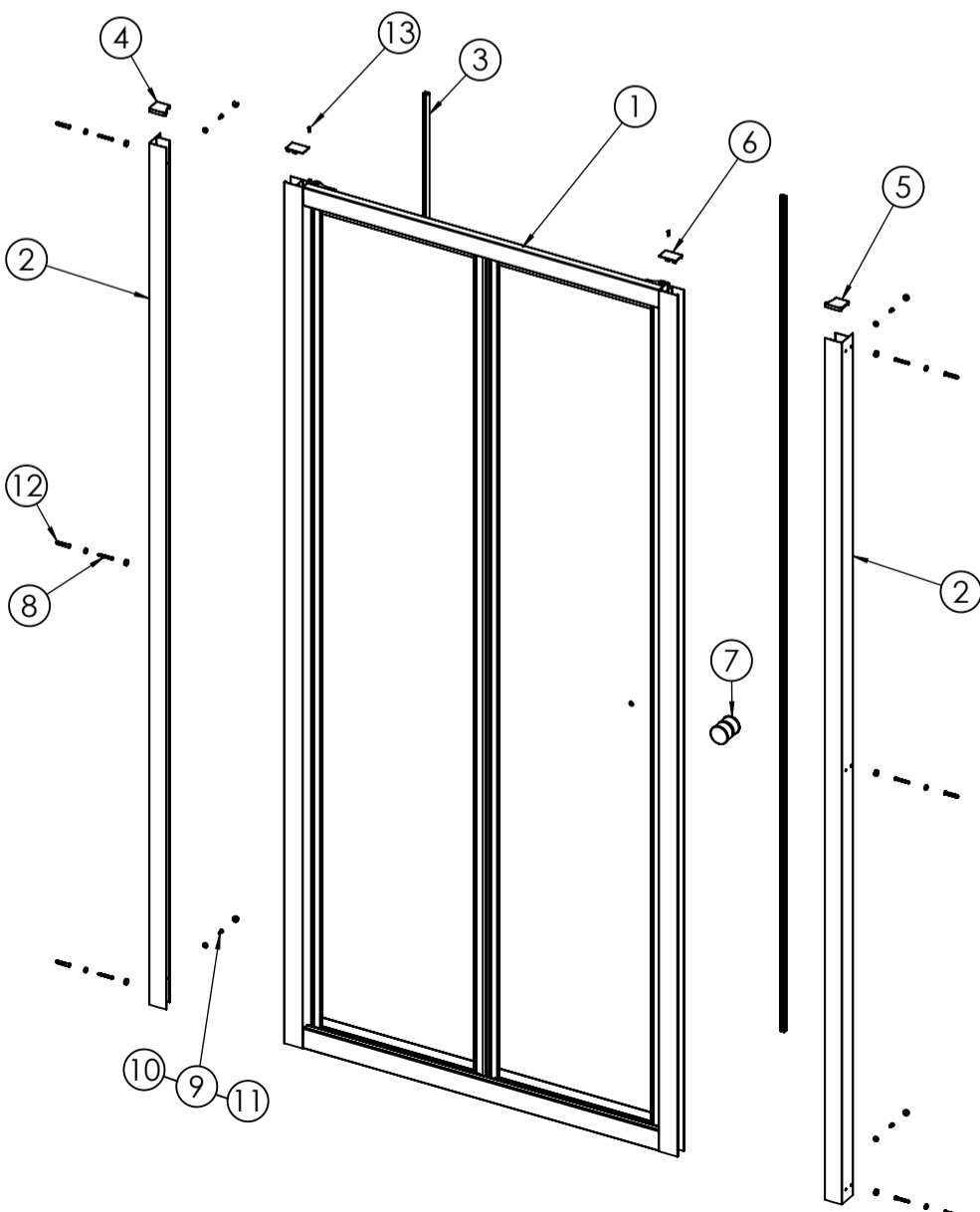
**SHOWER ENCLOSURE WITH WHEELS** - THE WHEELS MUST ROTATE FREELY AND THE SPRING LOADED MECHANISM IN THE BOTTOM WHEELS MUST OPERATE WITHOUT INTERFERENCE.

**TROUBLE SHOOTING GUIDE**

1. IS THE TRAY LEVEL? (SEE STEP 1).
2. DOES THE DOOR RUN FREELY AND SMOOTHLY WITHOUT RESISTANCE? (SEE STEP 6).
3. DO THE FINISHED TRAY MEASUREMENTS COMPLY WITH THE ADJUSTMENTS LISTED IN THE PRODUCT SPECIFICATION?
4. WHEN CONSIDERING THE LENGTH OF THE TOP TRACK ALSO CONSIDER THE VERTICAL PROFILES THAT ARE SECURED TO IT WHICH INCREASE ITS LENGTH.



**BI-FOLD ENCLOSURE INSTRUCTION (EXTERNAL WALL PROFILE)**



UNPACK THE BOX AND ENSURE ALL COMPONENTS ARE PRESENT.

NO REFUNDS OR REFITTING COST WILL BE GIVEN IF INCOMPLETE OR DAMAGED GOODS ARE FITTED.

THE TOUGHENED SAFETY GLASS SHOULD BE HANDLED WITH CARE AS IMPACTS WILL DAMAGE THE GLASS OR ENCLOSURE.

FIT THE SHOWER TRAY AS PER THE MANUFACTURER'S INSTRUCTIONS.

**NOTE:** IF THE TRAY ISN'T TRUE AND LEVEL, IT MUST BE RECTIFIED BEFORE SILICONING AROUND THE TOP EDGE OF THE TRAY WHERE IT MEETS THE TILES. ALLOW SILICONE TO DRY BEFORE FITTING THE ENCLOSURE.

**TOOLS REQUIRED**

POWER DRILL - 3mm DRILL BIT - 6mm MASONARY DRILL BIT - CROSS HEAD SCREW DRIVER - TAPE MEASURE - PENCIL - SILICONE GUN WITH SANITARY GRADE SEALANT - SPIRIT LEVEL.

ITEM No.	DESCRIPTION	Notes	QTY
1	DOOR SUB-ASSEMBLY		1
2	WALL PROFILE		2
3	BELLOWS SEAL	CUT TO LENGTH AS REQUIRED	2
4	WALL PROFILE TOP CAP LH		1
5	WALL PROFILE TOP CAP RH		1
6	RECTANGULAR CAP		2
7	ENCLOSURE HANDLE		1
8	SCREW DIA 3.9mm x 30mm PAN HEAD	FOR FIXING TO WALL	6
9	SCREW DIA 3.9mm x 10mm PAN HEAD		8
10	SCREW CUP		14
11	SCREW CUP COVER		14
12	WALL PLUG		6
13	PROFILE CAP	ONLY WITH AQ PRODUCT	2