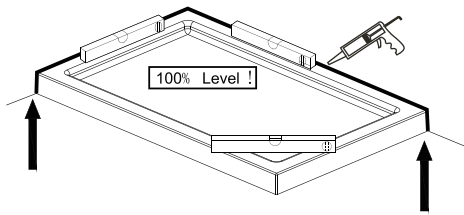


# POSITIONING OF WALL PROFILES

## PROCEDURE



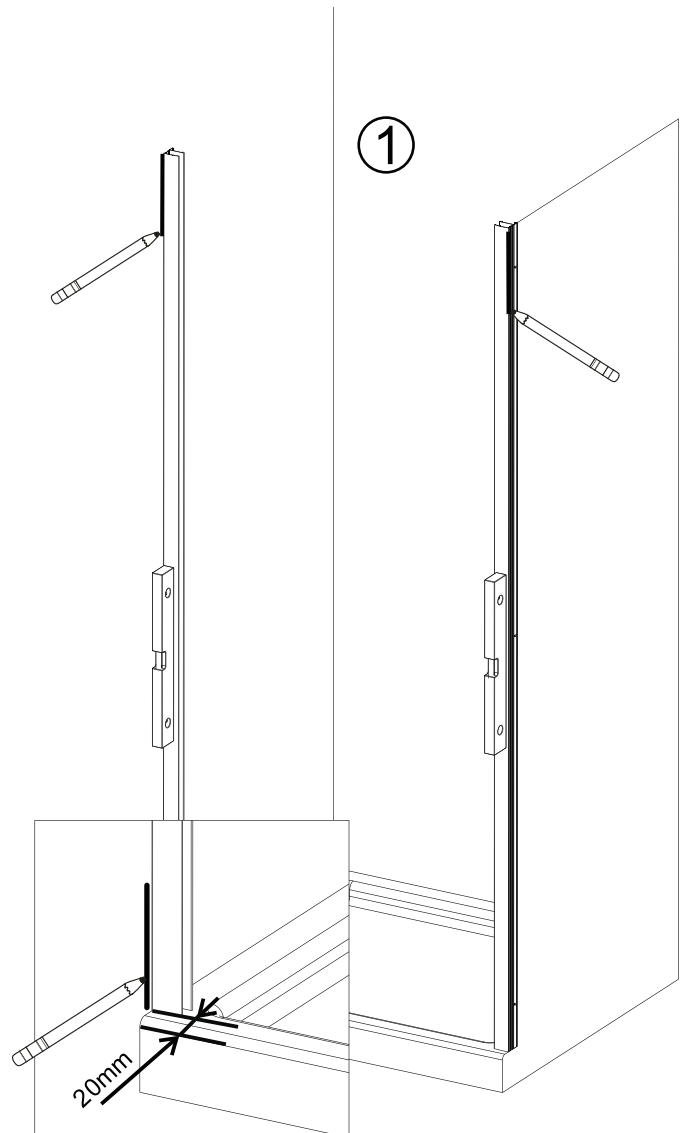
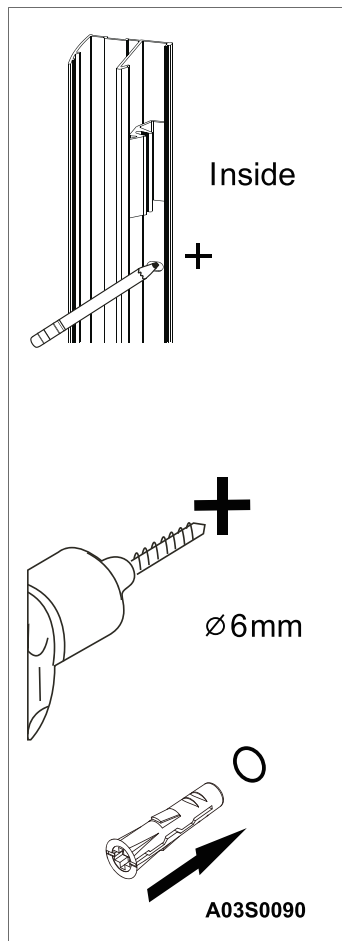
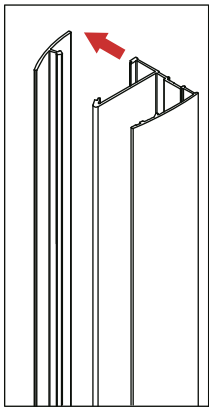
### TRAY MUST BE 100% LEVEL IN ALL DIRECTIONS

Ensure the shower tray is level in all directions and is properly sealed to the wall. The wall must be tiled down to the top edge of the tray. **Do not angle out bottom tile.**

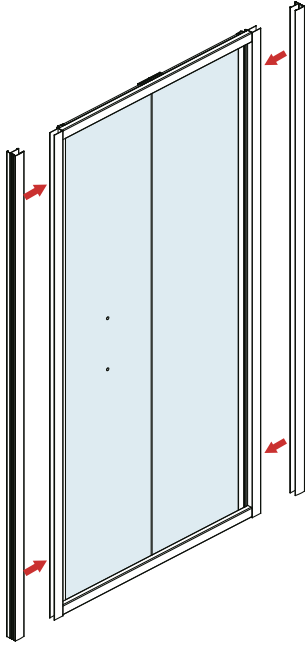
**TRAY MUST BE SEALED FULLY AROUND WHERE THE TRAY MEETS THE WALL.**

### Step 1

Step in the wall profiles 20mm. Ensure the wall profiles are plumb. Mark the position for fixing the wall profile to the wall. Drill with 6mm Masonry drill bit and insert wall plug **A03S0090**.

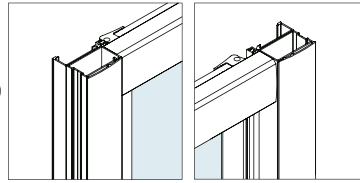


## FITTING THE WALL PROFILE



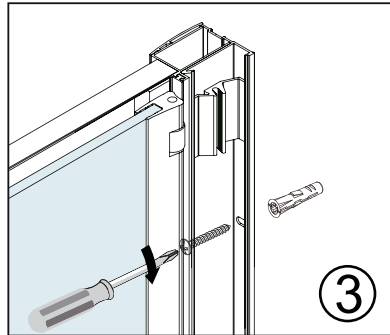
**Step 2**  
Slot wall profiles into door frame, then lift door onto the tray.

②

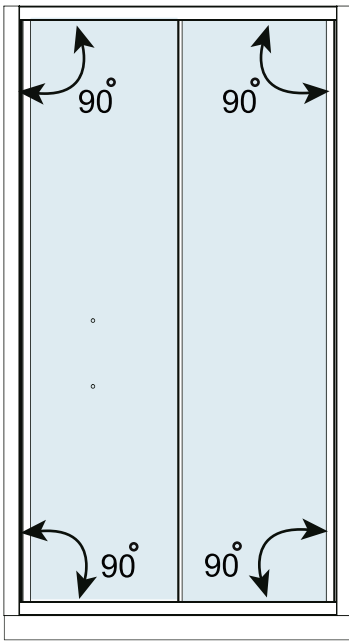


**Step 3**

Fix the wall profile to the wall with screws **A03S0089**.



③



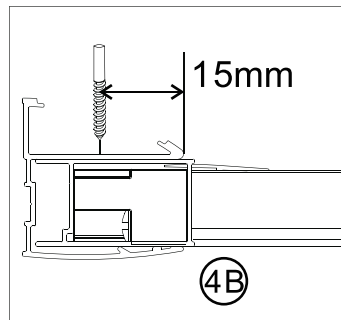
④A

**Step 4**

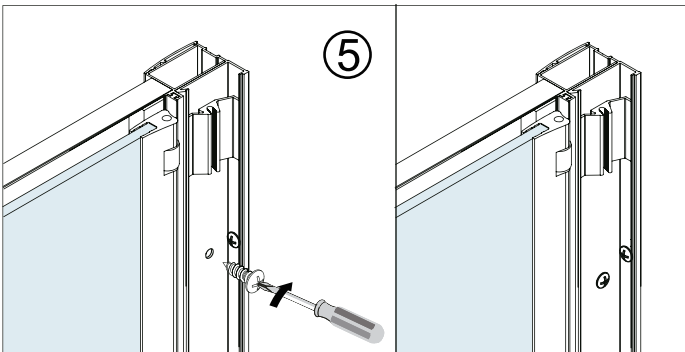
Ensure there is an equal gap between the bottom of the door and the frame (4A).

Drill 3 equally spaced holes with 3mm drill bit through the wall profile and frame (4B).

**IMPORTANT:** Ensure minimum of 15mm from the front edge of the frame (see picture below).



④B

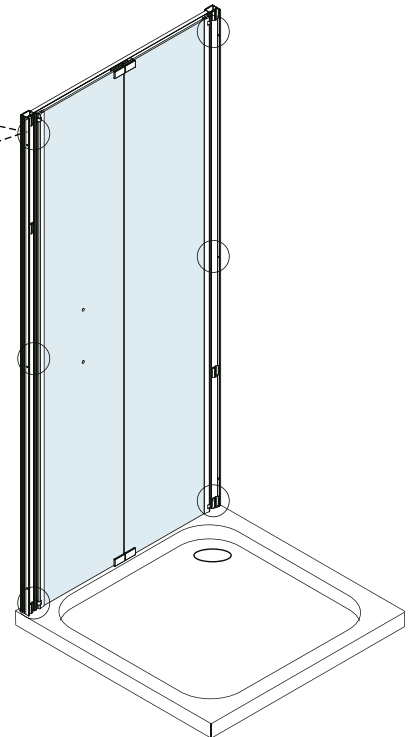


⑤

**Step 5**

Fix the frame with screws **SPOST4**.

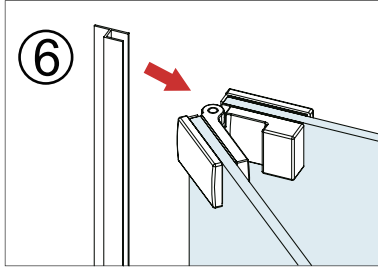
**IMPORTANT:** Ensure frame is 100% square and the door closes square in the frame (should be an even gap between bottom of door panel and the bottom profile).



# FINISHING

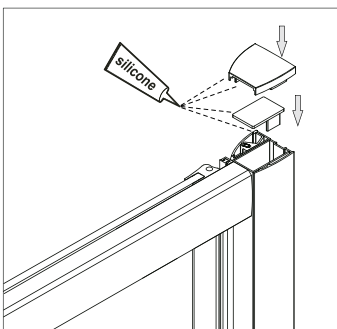
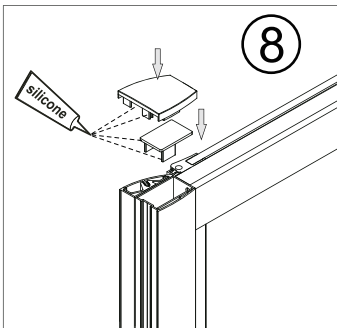
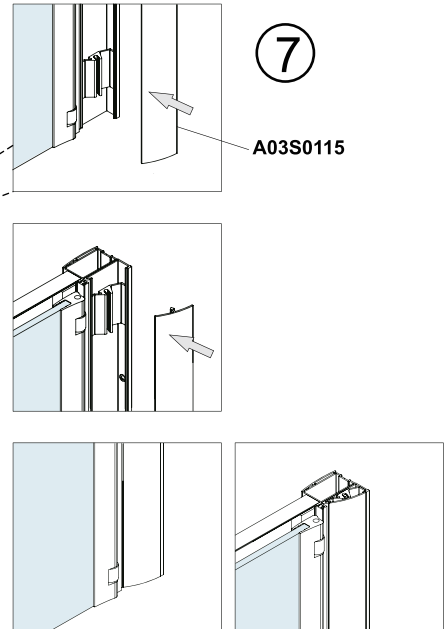
## Step 6

Push on upright seal to back of moving panel, keeping fin to inside.



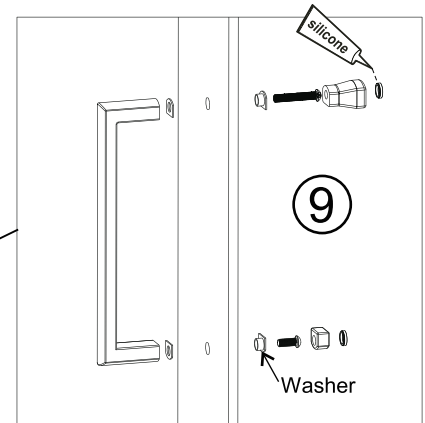
## Step 7

Attach the cover strip **A03S0115** to the wall profile.



## Step 8

Insert the upright profile cover caps **A03S0140** followed by the wall profile cover caps **A03S0118/119**. Add a dab of silicone to secure in place.



## Step 9

Fit handle to door

## SEALING

### Step 10

Use a quality silicone sealant to seal the finished door. Seal joints between the upright profiles and the bottom rail.

#### Sealing Inside

Seal top to bottom on the **INSIDE** between the wall profile and the wall.

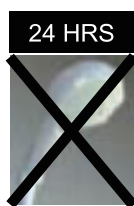
**Note:** Do not apply sealant on inside of tray.

#### Sealing Outside

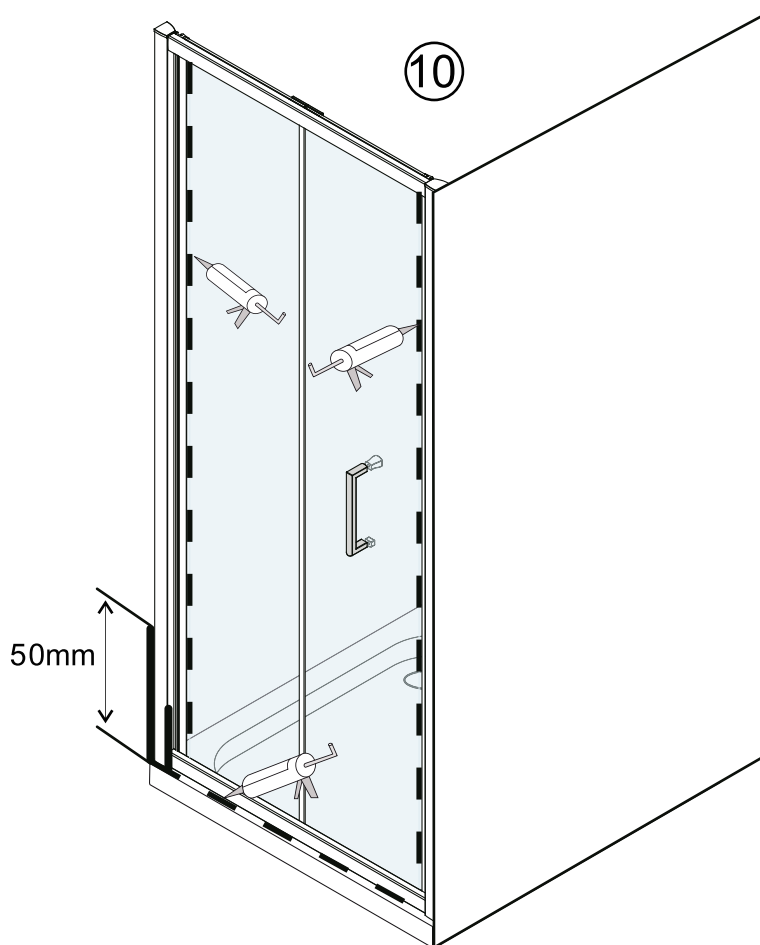
Seal only along bottom rail on the **OUTSIDE** between profile and the tray and approx 50mm up between the wall profile and the wall.

Seal also where wall profile and frame profile overlap 50mm up.

Seal also the joints between the bottom profile and the upright profiles.



DO NOT USE THE ENCLOSURE FOR 24 HOURS AFTER SEALING



## TROUBLE SHOOTING GUIDE

### DOOR NOT ALIGNING

1. Is the tray level and secured? (See Page 3).
2. Are the wall profiles plumb (vertically aligned and checked with a spirit level)? (See step 2).
3. Is the frame 100% square? (See step 6)

### DOOR LEAKING

1. Is the unit correctly sealed with silicone? (See step 12)
2. If there is a gap top or bottom between the magnets adjust the wall profile where fixed to the wall.

### OTHERS

Do the finished measurements on the tray comply with the adjustments listed in the product specifications book?