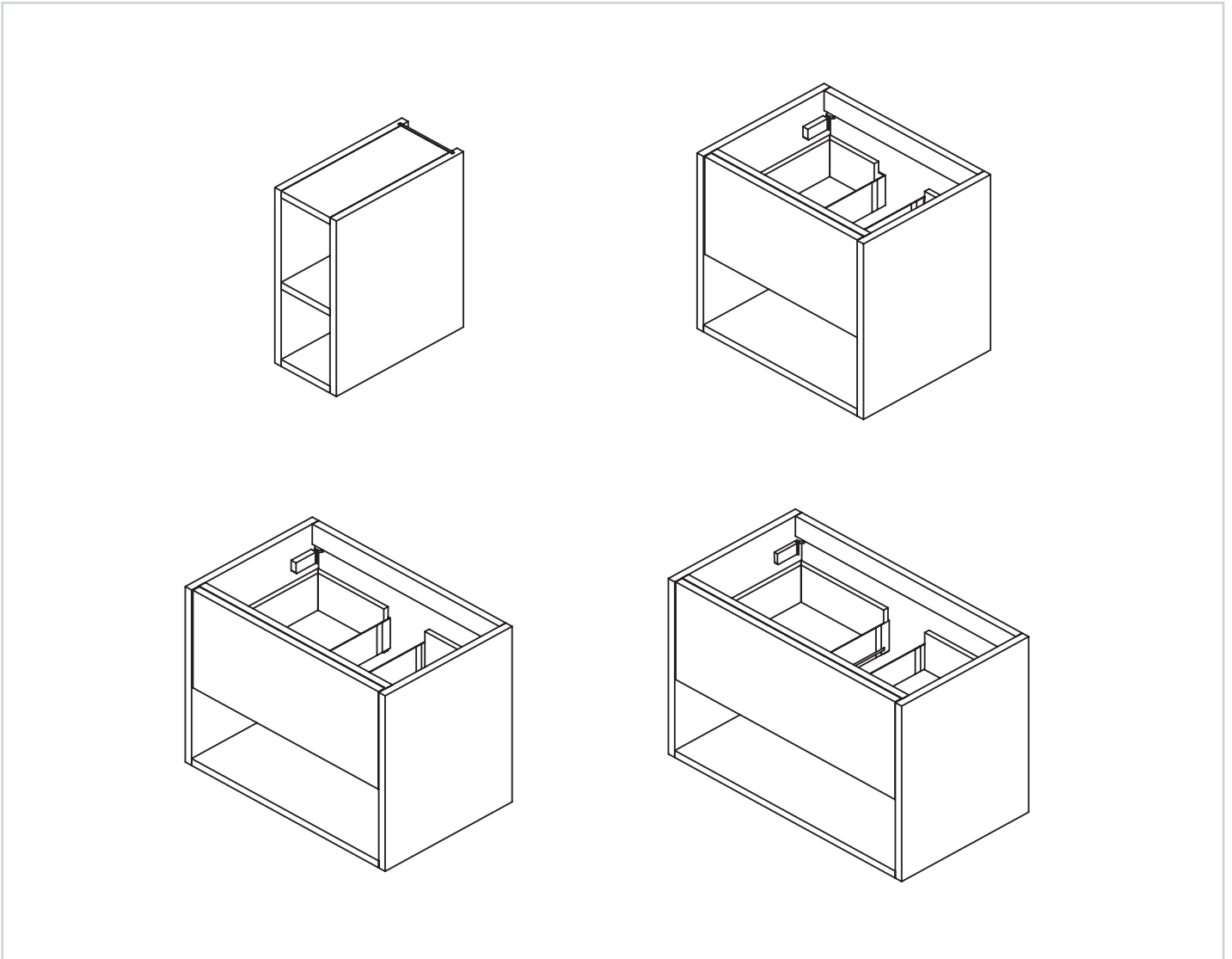


# HACKNEY

Furniture Range



## IMPORTANT INFORMATION BEFORE YOU START

**Please read carefully and keep this information for further reference.**

Thank you for buying a Britton Product. To ensure that it works to its full potential, it needs to be fitted correctly.

Check the contents of the pack carefully before installation.

Britton will not be held responsible for any de-fit/re-fit costs where faulty product has been fitted. If any fault is found with materials or workmanship, it must be reported immediately to the manufacturer. Remedial action will be taken, based on information received, on condition that:

1. Full details are supplied to the manufacturer.
2. The product has not been modified or tampered with;
3. The manufacturer is informed of any damage/shortages prior to installation.

4. The product has not been installed, or attempts have been made to install.

We do not accept responsibility for any problems that may occur through incorrect installation. This product should only be installed by a suitably qualified plumber/installer. Should the installation be completed by a non-qualified person any product guarantee may be considered invalid. For a claim made under our warranty, written certification of your installer's qualifications may be required.

## BEFORE YOU START

### Important Pre-Installation Notes

Please check for any hidden pipes or electrical cables before drilling holes in the floor or walls. When using power tools always follow the manufacturer's user instructions. This installation guide details fitting to a solid wall. If your bathroom has studded/plasterboard walls, please use appropriate fixings.

Make sure that the wall can take the weight of the products before undertaking the installation.

Waste fittings should be carefully bedded in silicone and the back nut hand tightened; an additional quarter turn using a suitable spanner is sufficient to create the required watertight seal.

It is advised that all doors and drawers are removed prior to fitting to avoid unnecessary damage occurring.








It is recommended that the furniture and accessories are installed after tiling, ensuring that the product is installed flat to the tile face and allows product to be easily removed if required in the future.

This document has been prepared for your guidance, you must exercise due care at all times.

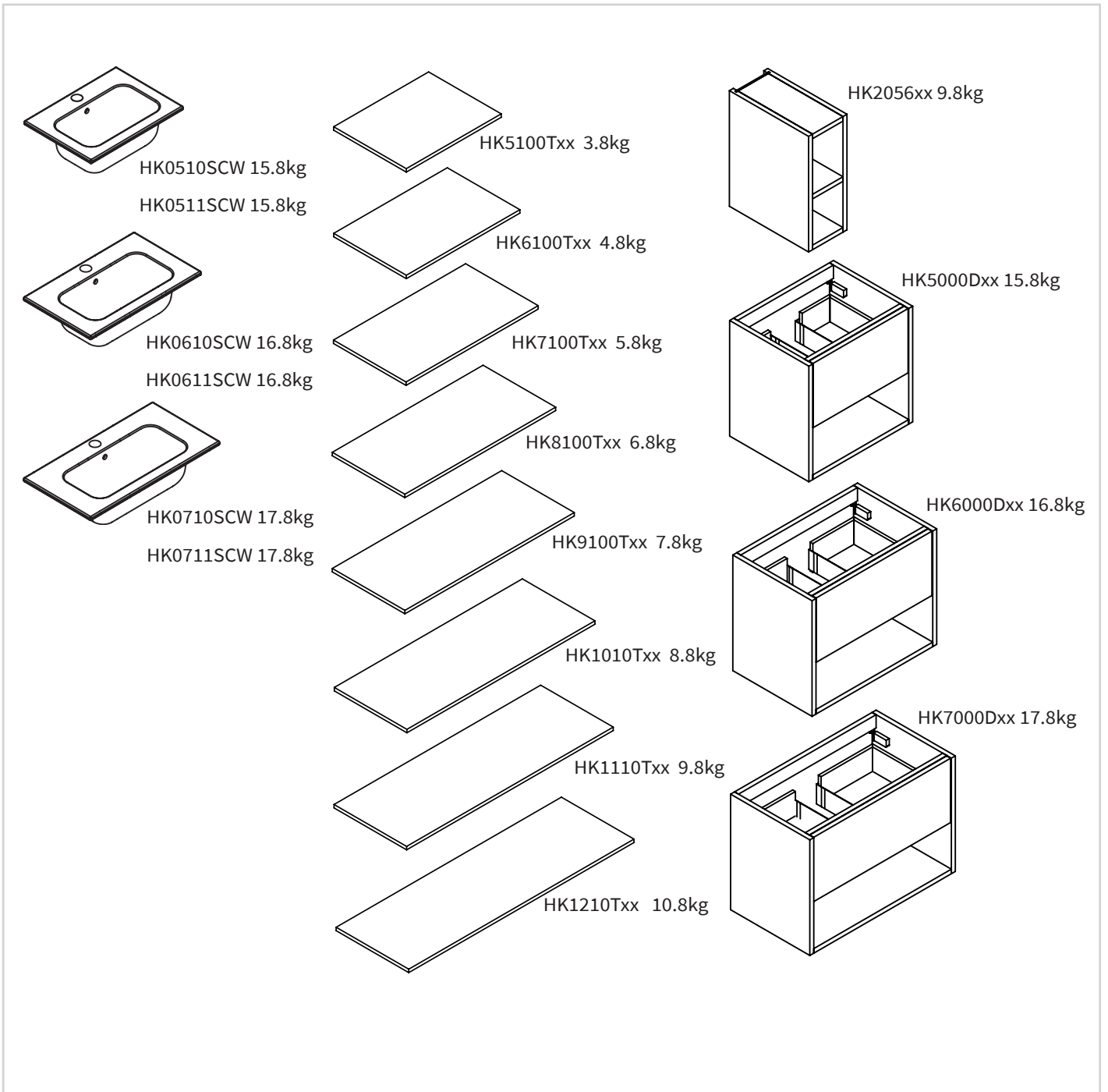
Please note that some units are heavy. Always take care when lifting, and follow health and safety guidelines. It is recommended that 2 people carry out the installation of larger basin/vanity units over 30Kgs gross weight.

If any maintenance is required then it must be carried out by a qualified Plumber. The manufacturer reserves the right to make technical modifications without prior notice.

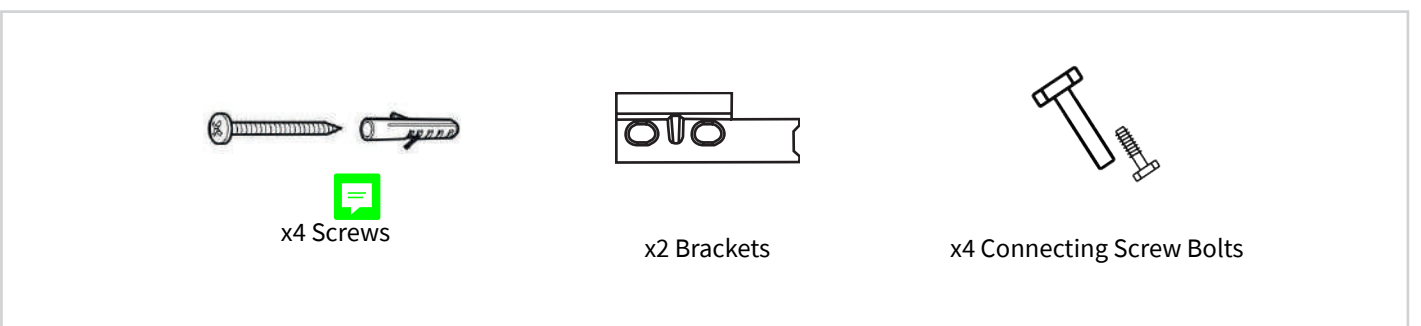
### Tools Required (not supplied):

<p><u>Drill + 6mm Drill Bit</u></p>		<p><u>Pencil</u></p>	
<p><u>Tape Measure</u></p>		<p><u>Screw Driver (Phillips No2)</u></p>	
<p><u>Spirit Level</u></p>		<p><u>Safety Goggles</u></p>	
<p><u>Water Based Silicone Sealant</u></p>			

## COMPATIBILITY

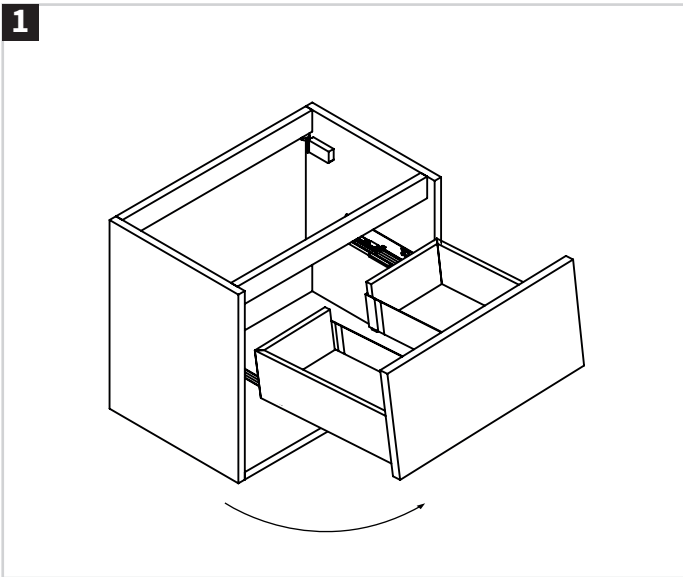


## FIXINGS



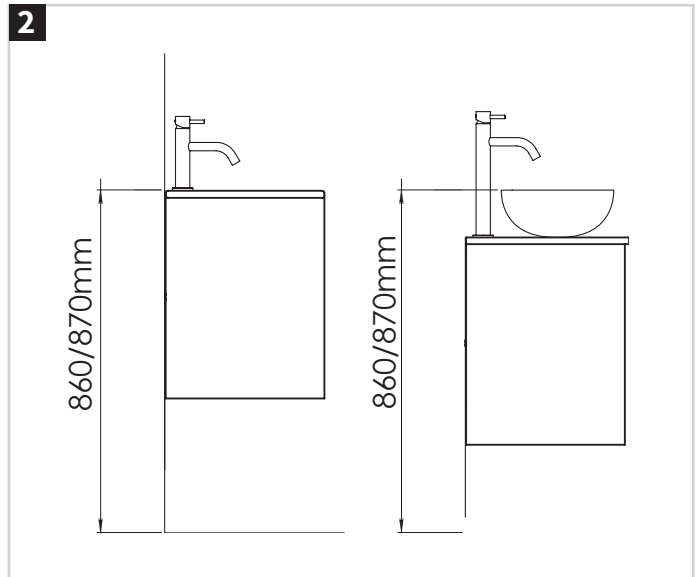
## INSTALLATION

1



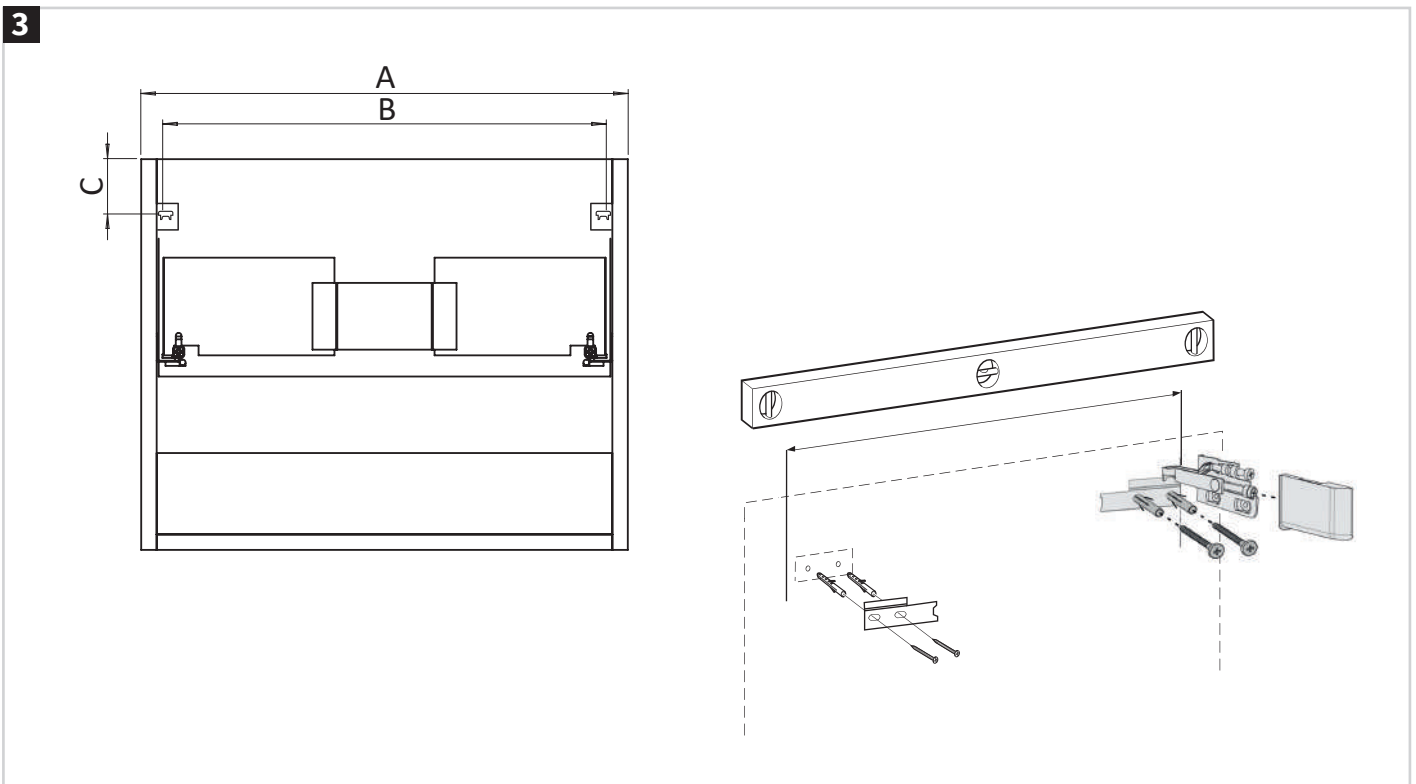
Remove the drawer before installation. Pull the drawer fully out, lift the front, pull out again, lower and fully remove.

2



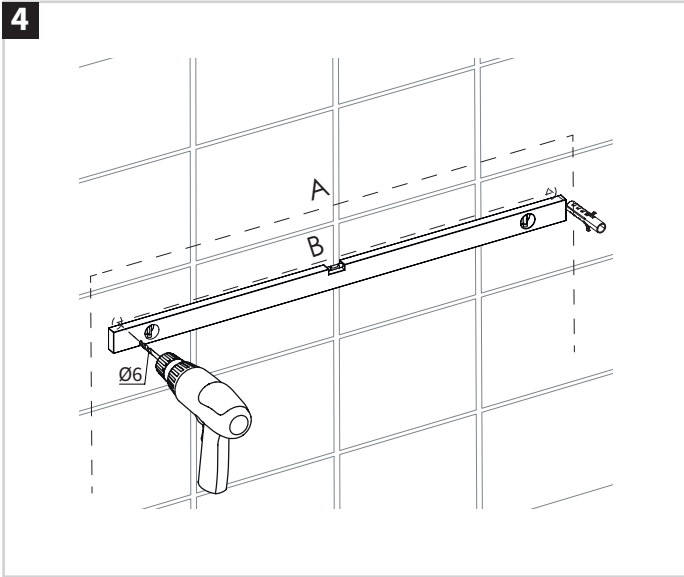
Determine the position and height of the unit, ensuring the recommended heights are followed according to the combination of basin and tap selected.

3

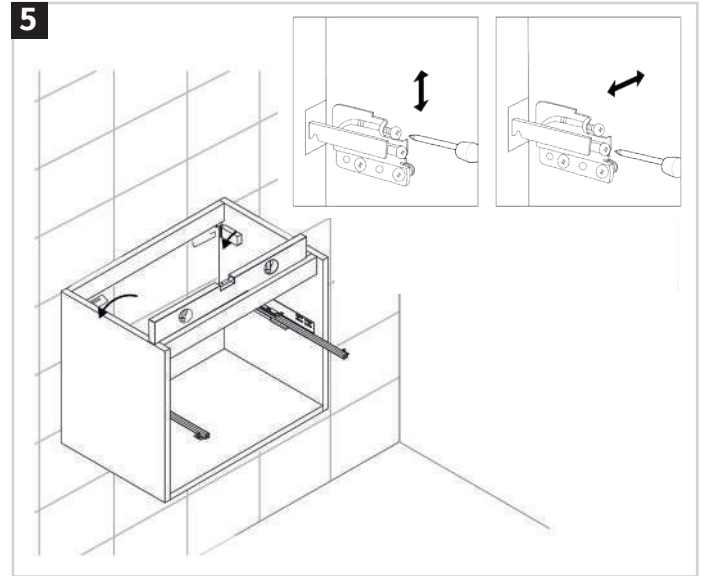


Measure the width and height of the fixing brackets - Distances B and C. Mark the wall and prepare to drill.

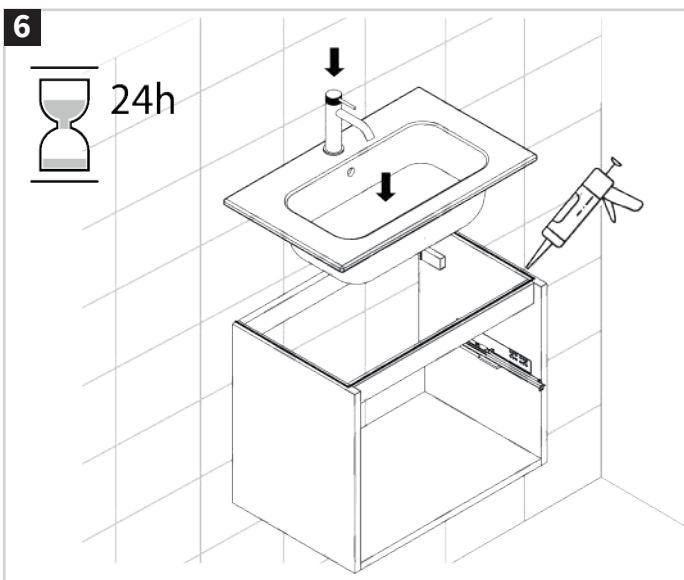
## INSTALLATION



Drill the marks using an 8mm drill bit and ensuring there are no hidden pipes or cables in the wall. Make sure the correct drill bit is used for the surface being drilled and check that the holes are level.

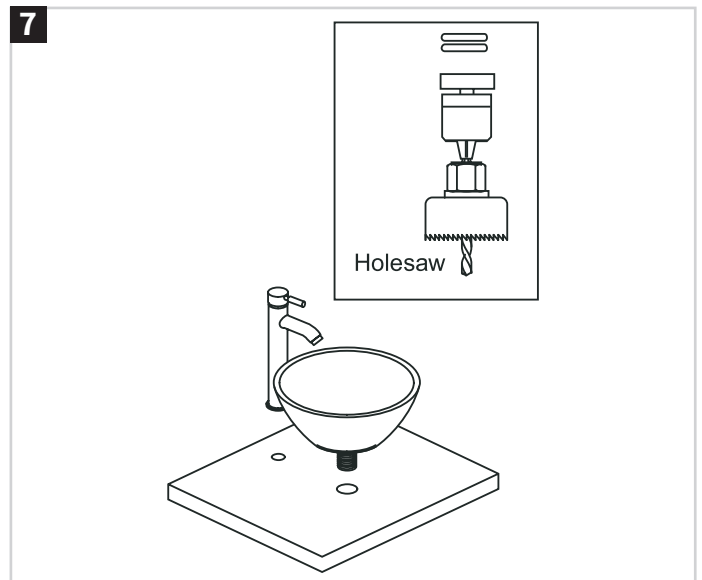


Install the wall brackets using the fixings provided. The unit carcass can now be mounted on the wall brackets and adjusted to ensure it is flush with the wall and level.



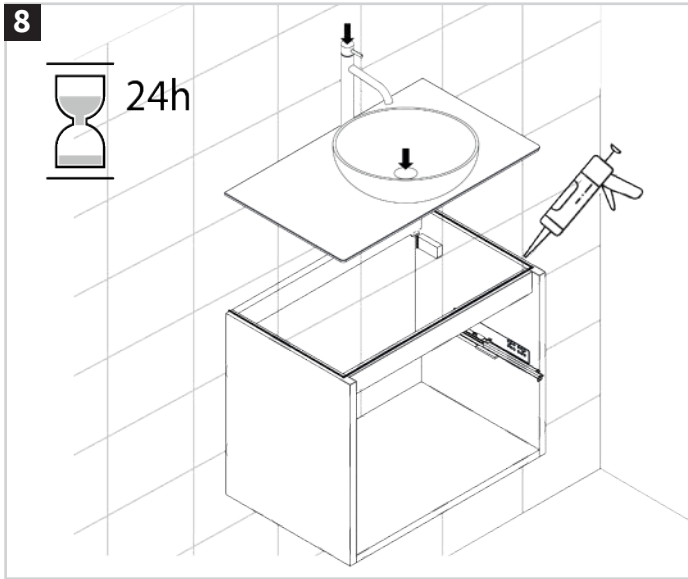
The tap and waste fittings may now be installed, following the manufacturer's instructions. Connect water and waste pipework and turn on the water supply to check for any leaks.

**Important:** Apply silicone sealant on the top of the basin unit to keep watertight. Check the manufacturer's instructions for drying times.



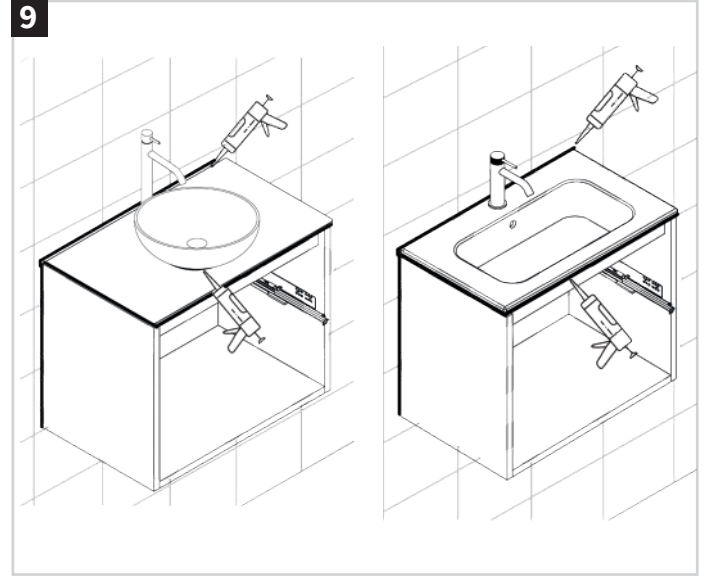
Prepare worktop for taps and basin waste. Cut holes where required using a suitable sized 'holesaw' at a slow speed.

## INSTALLATION

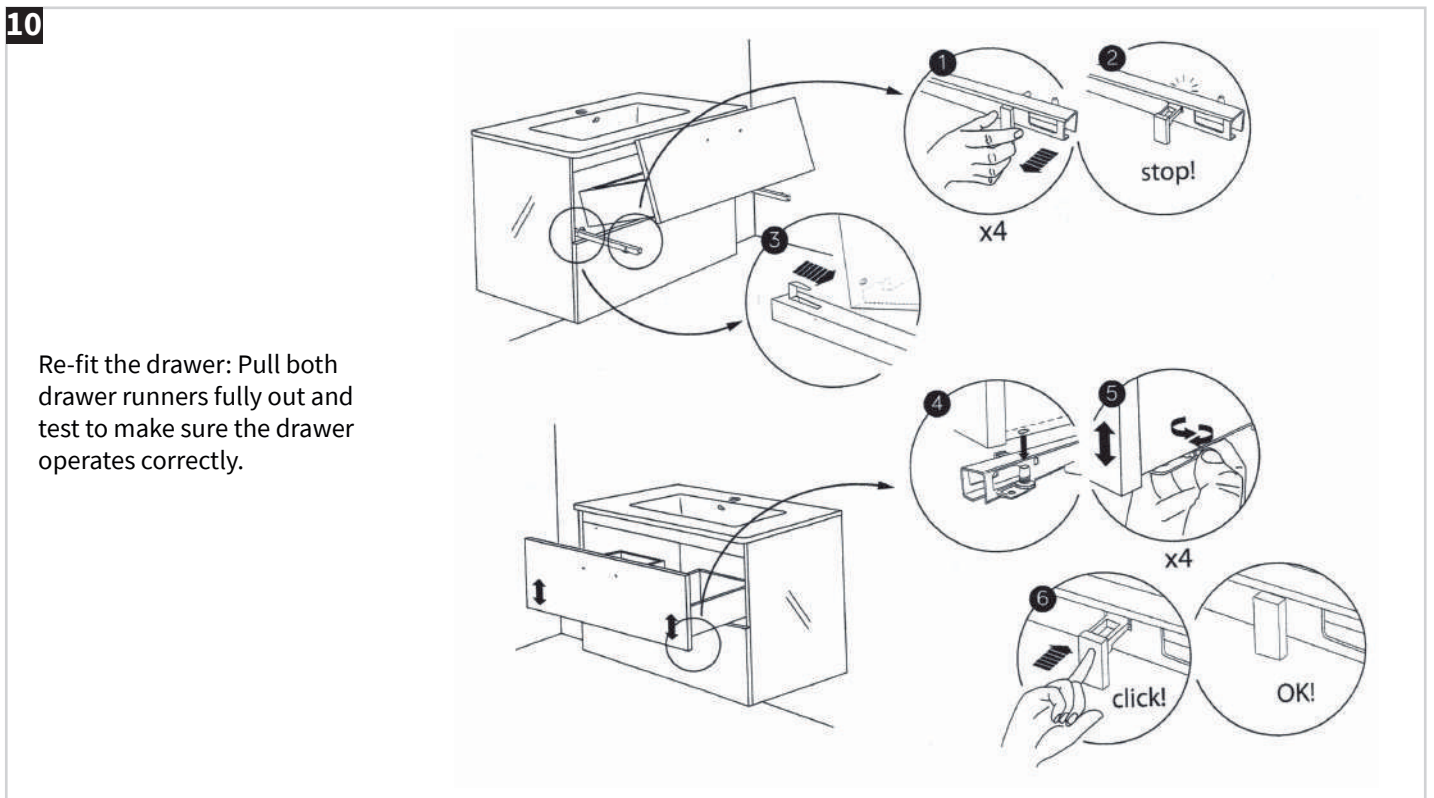


The tap and waste fittings may now be installed, following the manufacturer's instructions. Connect water and waste pipework and turn on the water supply to check for any leaks.

Important: Apply silicone sealant on the top of the basin unit to keep watertight.



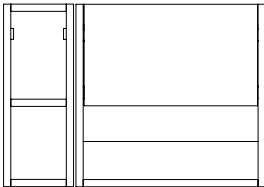
Apply silicone sealant to the joins between the basin and unit on all sides to keep watertight. Check the manufacturer's instructions for drying times.



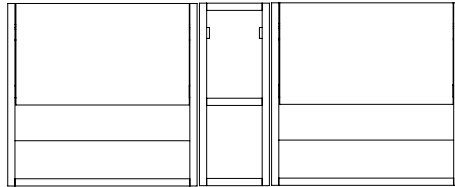
## INSTALLATION

**11**

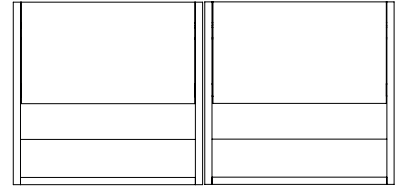
When installing two or more units, ensure the units are correctly positioned side by side, front and back and in height - the base of each unit should be level as shown in examples below.



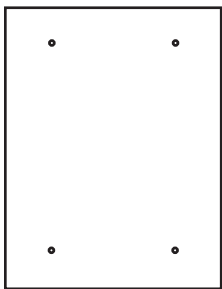
HK2056 + HK5000



HK5000 + HK2056 + HK5000

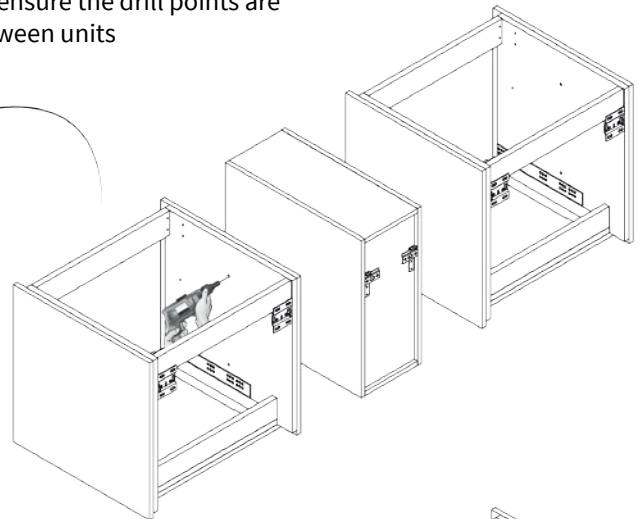
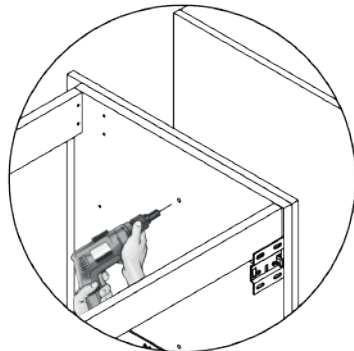


HK5000 + HK5000

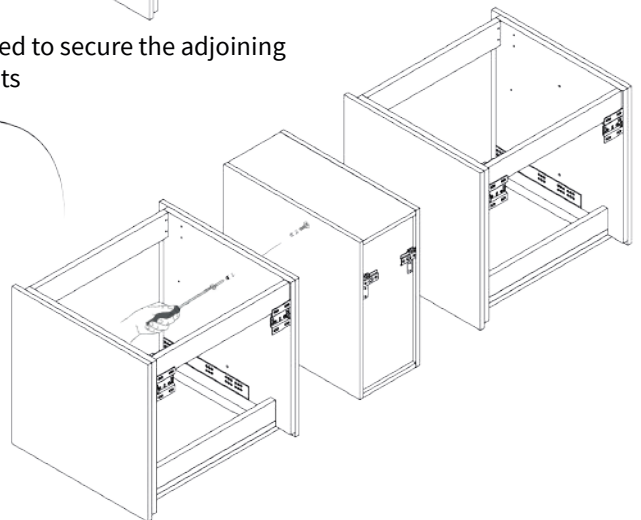
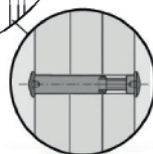
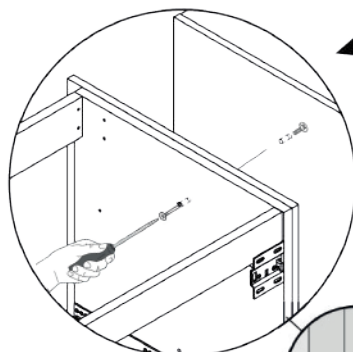


Side View of Unit - Drill holes a good distance apart to secure units together

Drill the carcass sides and ensure the drill points are aligned between units



Use connector bolts provided to secure the adjoining units



## CARE & MAINTENANCE

Clean regularly using with warm soapy water and polish with only a soft cloth.  
Any residues from soap, toiletries etc. should be rinsed off straight after use.  
Household bleaches and cleaners containing harsh chemicals may damage the surface finish.  
Avoid using abrasive cloths, scouring pads, scrub sponges, steel wool or anything similar.  
Lime-scale marks can be cleaned using a diluted lime-scale remover used in accordance with manufacturers instructions.

Ceramic, glass and cast mineral marble basin products should be cleaned regularly with warm soapy water, then rinsed with clean water and, if desired, dried and polished with a soft cloth. Lime scale deposits can be removed using a 50:50 solution of warm water and lime scale remover and soft clean cloth.

We recommend regular cleaning with MINERALPOLISH cream, specially formulated to clean and help protect the surface of glass and cast mineral marble basins. Please also take care not to damage the lacquered surface on the underside of the glass washbasin that gives the washbasin its colour. Damage to the underside of the washbasin may be visible through the glass. Take care how you handle the washbasin prior to installation and place it on a soft surface to avoid damage. Regularly clean worktop, carcass and drawer using a micro-fibre cloth. Do not use abrasive cleaners or bleach as this will permanently damage the lacquered surfaces. If any maintenance is required then it must be carried out by a qualified Plumber.