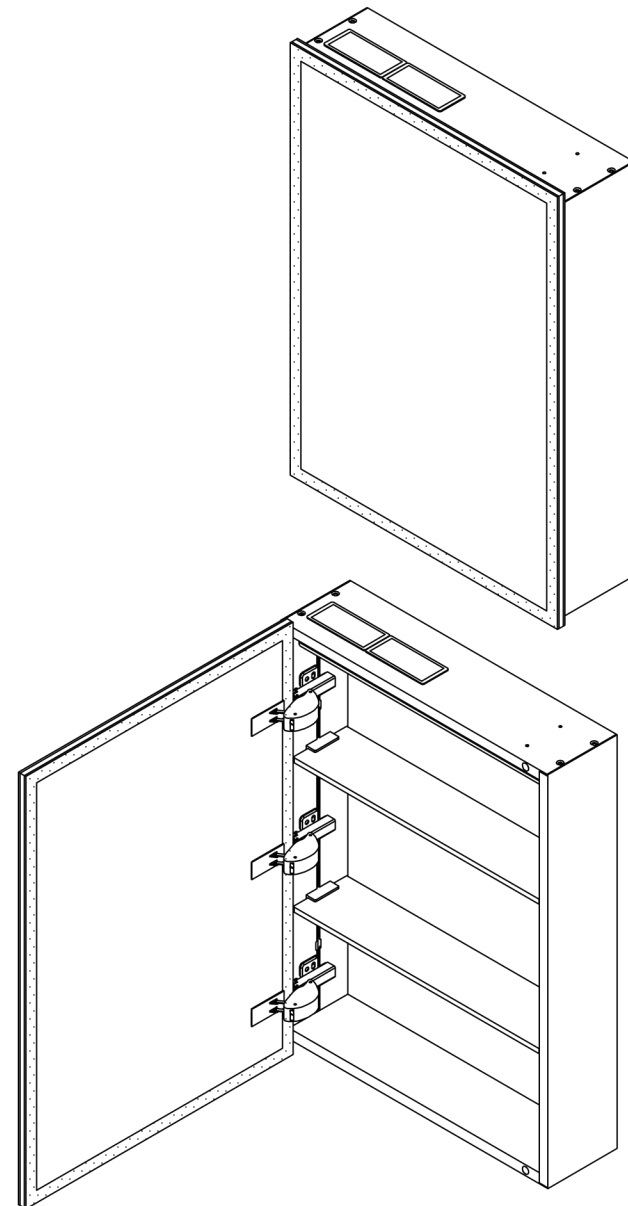
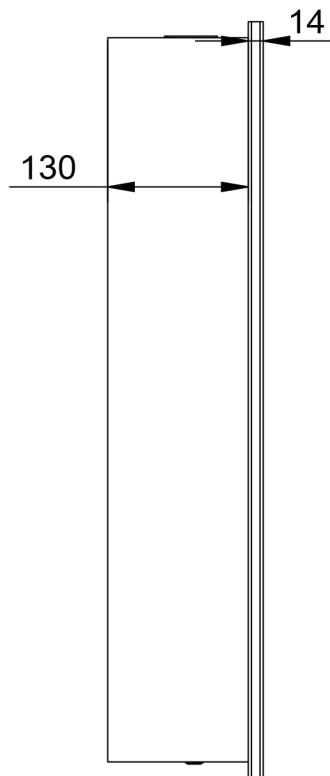
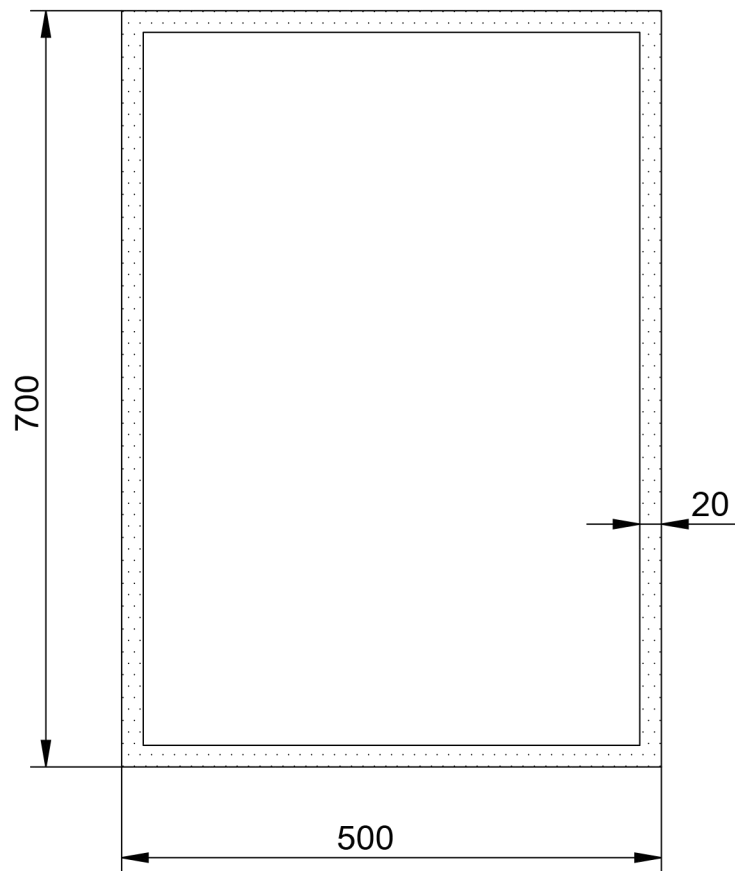


1



| | | | | | |
|--------|--|-----------|------|-------|-----------|
| | | Tolerance | Unit | Model | 5001 |
| Number | | ±3 | mm | Size | 500 x 700 |