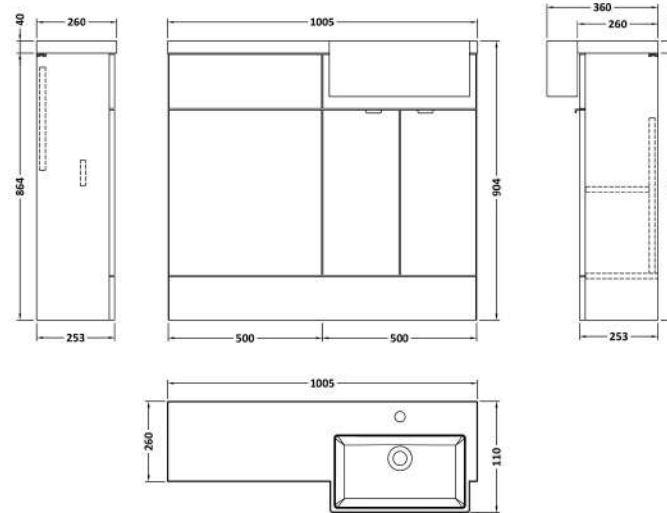


Sales Code: CBI149

Description: 1000 Square Semi Rec Vanity & Wc Unit Rh

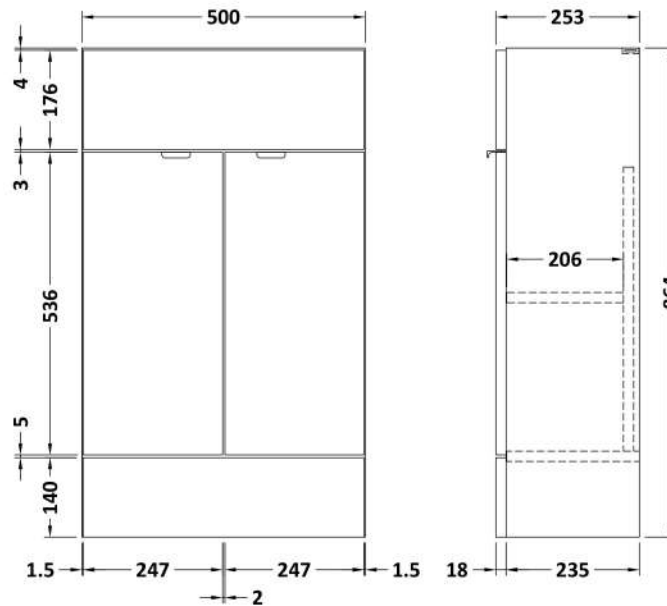


### Packaging Details

Barcode: 5056211890003

Sales Code: OFF105

Description: 500 Vanity Unit (255mm Deep)



### Product Dimensions

|                   |     |
|-------------------|-----|
| Height (mm):      | 864 |
| Width (mm):       | 500 |
| Depth (mm):       | 255 |
| Nett Weight (kg): | 15  |

### Packaging Dimensions

|                    |      |
|--------------------|------|
| Height (mm):       | 290  |
| Width (mm):        | 525  |
| Depth (mm):        | 875  |
| Gross Weight (kg): | 15.5 |

### Packaging Data

|               |                     |
|---------------|---------------------|
| Box Colour:   | Brown Cardboard Box |
| Box Qty:      | 1                   |
| Label Size:   | 100 x 50            |
| Label Colour: | Not Applicable      |
| Label Qty:    | 0                   |

### Outer Box Dimensions (If Applicable)

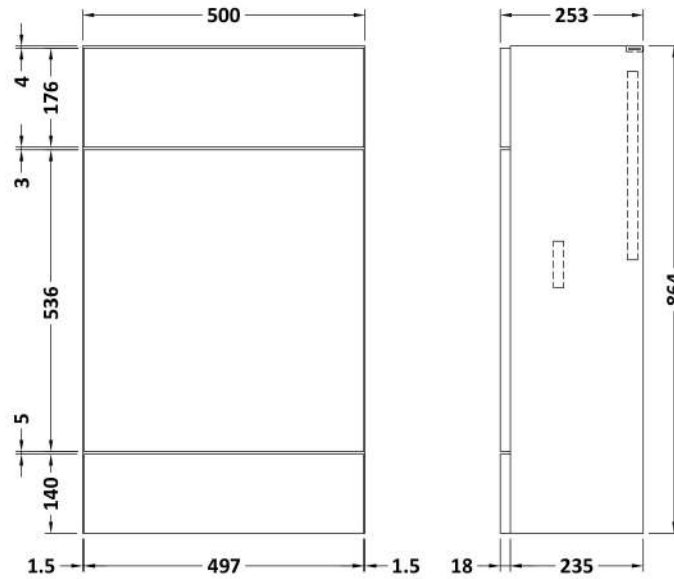
|                    |               |
|--------------------|---------------|
| Height (mm):       |               |
| Width (mm):        |               |
| Depth (mm):        |               |
| Gross Weight (kg): |               |
| Barcode:           | 5055275817179 |

### Product Details

|                          |                              |
|--------------------------|------------------------------|
| Country of Origin:       | China                        |
| Fitting Instruction:     | No                           |
| CE & UKCA:               | N/A                          |
| FSC Certified Materials: | Yes                          |
| Colour:                  | Gloss White                  |
| Construction Method:     | Cam & Wood Dowel             |
| Construction Type:       | Rigid                        |
| Cabinet Finish:          | MFC Painted Gloss            |
| Fascia Finish:           | Mdf Painted Gloss            |
| Cabinet Thickness (mm):  | 16                           |
| Fascia Thickness (mm):   | 18                           |
| Drawer Included:         | No                           |
| Drawer Type:             | Not Applicable               |
| No of Shelves:           | 1                            |
| Hinge Type:              | 95 Degree Clip-On Soft Close |
| Hinge Included:          | Yes                          |
| Adjustable Legs:         | No                           |
| Fixings Included:        | Yes                          |
| Handle Style:            | Contemporary                 |
| Waste Shroud:            | No                           |
| Handle Included:         | Yes                          |
| Handle Type:             | Wrapover                     |

Sales Code: OFF145

Description: 500 Wc Unit (255mm Deep)



### Product Dimensions

|                   |      |
|-------------------|------|
| Height (mm):      | 864  |
| Width (mm):       | 500  |
| Depth (mm):       | 255  |
| Nett Weight (kg): | 11.5 |

### Packaging Dimensions

|                    |     |
|--------------------|-----|
| Height (mm):       | 290 |
| Width (mm):        | 525 |
| Depth (mm):        | 875 |
| Gross Weight (kg): | 12  |

### Packaging Data

|               |                     |
|---------------|---------------------|
| Box Colour:   | Brown Cardboard Box |
| Box Qty:      | 1                   |
| Label Size:   | 100 x 50            |
| Label Colour: | Not Applicable      |
| Label Qty:    | 0                   |

### Outer Box Dimensions (If Applicable)

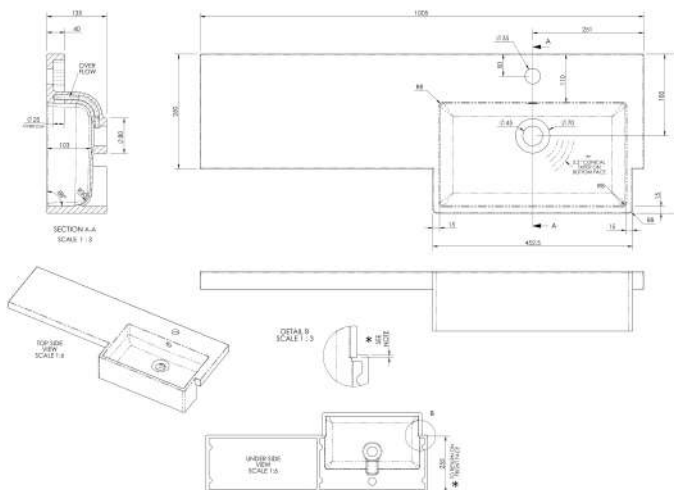
|                    |               |
|--------------------|---------------|
| Height (mm):       |               |
| Width (mm):        |               |
| Depth (mm):        |               |
| Gross Weight (kg): |               |
| Barcode:           | 5055275816752 |

### Product Details

|                          |                   |
|--------------------------|-------------------|
| Country of Origin:       | China             |
| Fitting Instruction:     | No                |
| CE & UKCA:               | N/A               |
| FSC Certified Materials: | Yes               |
| Colour:                  | Gloss White       |
| Construction Method:     | Cam & Wood Dowel  |
| Construction Type:       | Rigid             |
| Cabinet Finish:          | MFC Painted Gloss |
| Fascia Finish:           | Mdf Painted Gloss |
| Cabinet Thickness (mm):  | 16                |
| Fascia Thickness (mm):   | 18                |
| Drawer Included:         | No                |
| Drawer Type:             | Not Applicable    |
| No of Shelves:           | 0                 |
| Hinge Type:              | Not Applicable    |
| Hinge Included:          | No                |
| Adjustable Legs:         | No                |
| Fixings Included:        | Yes               |
| Handle Style:            | Not Applicable    |
| Waste Shroud:            | No                |
| Handle Included:         | No                |
| Handle Type:             | Not Applicable    |

**Sales Code:** PMB612R

**Description:** 1000 Square S/Recess Polymarble Basin Rh



**Product Dimensions**

|                   |      |
|-------------------|------|
| Height (mm):      | 135  |
| Width (mm):       | 1003 |
| Depth (mm):       | 355  |
| Nett Weight (kg): | 15   |

**Packaging Dimensions**

|                    |      |
|--------------------|------|
| Height (mm):       | 190  |
| Width (mm):        | 420  |
| Depth (mm):        | 1060 |
| Gross Weight (kg): | 15   |

**Packaging Data**

|               |                     |
|---------------|---------------------|
| Box Colour:   | Brown Cardboard Box |
| Box Qty:      | 1                   |
| Label Size:   | 100 x 50            |
| Label Colour: | White Label         |
| Label Qty:    | 2                   |

**Outer Box Dimensions (If Applicable)**

|                    |               |
|--------------------|---------------|
| Height (mm):       |               |
| Width (mm):        |               |
| Depth (mm):        |               |
| Gross Weight (kg): |               |
| Barcode:           | 5056211880059 |

**Product Details**

|                           |            |
|---------------------------|------------|
| Country of Origin:        | China      |
| Fitting Instruction:      | No         |
| Certification: CE & UKCA: | No         |
| WRAS:                     | N/A        |
| WRAS No:                  | N/A        |
| Product Material:         | Polymarble |
| Fixing Supplied:          | No         |

**Pans/Bidets:** Trap Style: Not Applicable Includes Seat: No

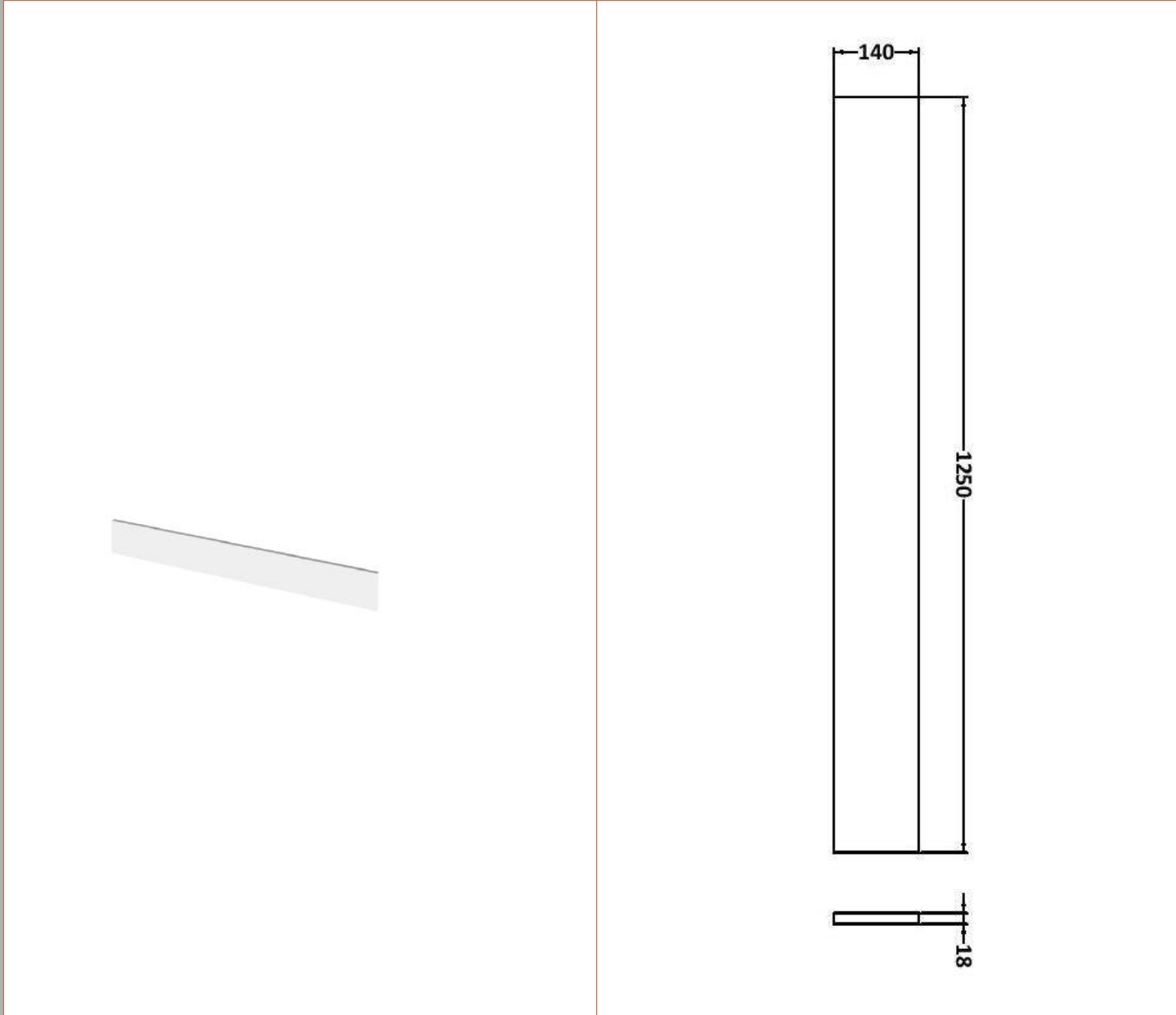
**Seats:** Seat Type: Not Applicable Material: Not Applicable  
Function: Not Included Hinge Type: Not Relevant  
Hinge Material: Not Applicable

**Cisterns:** Operating Type: Not Applicable Fittings: None Included  
Lever Type: Not Applicable

**Basins:** Tap Hole: One Taphole Chain Stay Hole: No  
Template: Not Required Waste Type Req: Slotted  
Overflow Inc: Yes Overflow Cover: Yes  
Inner Bowl Depth (mm): 103mm

Sales Code: OFF191

Description: 1.25M Continuous Plinth (1250X140x18mm)



### Product Dimensions

|                   |      |
|-------------------|------|
| Height (mm):      | 1250 |
| Width (mm):       | 145  |
| Depth (mm):       | 18   |
| Nett Weight (kg): | 2    |

### Packaging Dimensions

|                    |      |
|--------------------|------|
| Height (mm):       | 20   |
| Width (mm):        | 150  |
| Depth (mm):        | 1260 |
| Gross Weight (kg): | 2    |

### Packaging Data

|               |                     |
|---------------|---------------------|
| Box Colour:   | Brown Cardboard Box |
| Box Qty:      | 1                   |
| Label Size:   | 100 x 50            |
| Label Colour: | Not Applicable      |
| Label Qty:    | 0                   |

### Outer Box Dimensions (If Applicable)

|                    |               |
|--------------------|---------------|
| Height (mm):       |               |
| Width (mm):        |               |
| Depth (mm):        |               |
| Gross Weight (kg): |               |
| Barcode:           | 5055275828366 |

### Product Details

|                          |                   |
|--------------------------|-------------------|
| Country of Origin:       | China             |
| Fitting Instruction:     | No                |
| CE & UKCA:               | N/A               |
| FSC Certified Materials: | Yes               |
| Colour:                  | Gloss White       |
| Construction Method:     | Cam & Wood Dowel  |
| Construction Type:       | Flat-Pack         |
| Cabinet Finish:          | MFC Painted Gloss |
| Fascia Finish:           | Mdf Painted Gloss |
| Cabinet Thickness (mm):  | 18                |
| Fascia Thickness (mm):   | 18                |
| Drawer Included:         | No                |
| Drawer Type:             | Not Applicable    |
| No of Shelves:           | Not Applicable    |
| Hinge Type:              | Not Applicable    |
| Hinge Included:          | Not Applicable    |
| Adjustable Legs:         | No                |
| Fixings Included:        | No                |
| Handle Style:            | Not Applicable    |
| Waste Shroud:            | Not Applicable    |
| Handle Included:         | Not Applicable    |
| Handle Type:             | Not Applicable    |