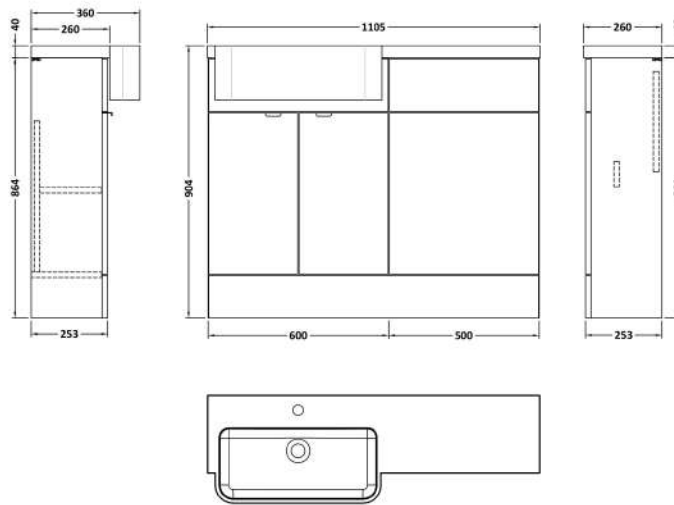


Sales Code: CBI3046

Description: 1100 Round Semi Rec Vanity & Wc Unit Lh

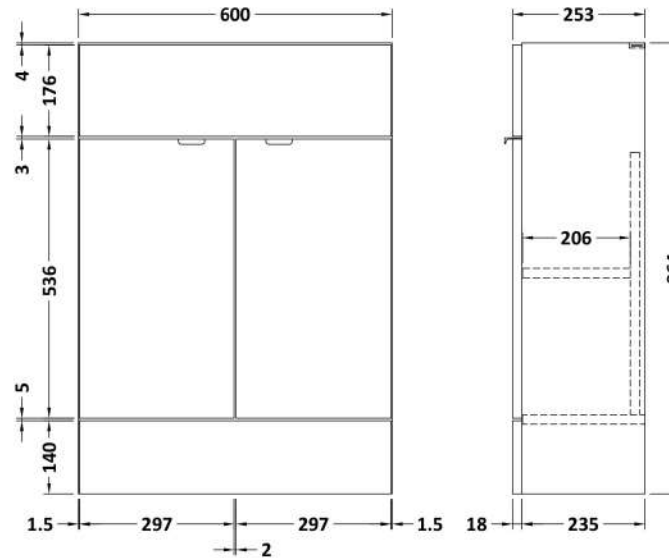


### Packaging Details

Barcode: 5056678453902

Sales Code: OFF3007

Description: 600 Vanity Unit Compact



### Product Dimensions

|                   |     |
|-------------------|-----|
| Height (mm):      | 864 |
| Width (mm):       | 600 |
| Depth (mm):       | 255 |
| Nett Weight (kg): | 17  |

### Packaging Dimensions

|                    |      |
|--------------------|------|
| Height (mm):       | 290  |
| Width (mm):        | 625  |
| Depth (mm):        | 900  |
| Gross Weight (kg): | 17.5 |

### Packaging Data

|               |                     |
|---------------|---------------------|
| Box Colour:   | Brown Cardboard Box |
| Box Qty:      | 1                   |
| Label Size:   | 100 x 50            |
| Label Colour: | White Label         |
| Label Qty:    | 2                   |

### Outer Box Dimensions (If Applicable)

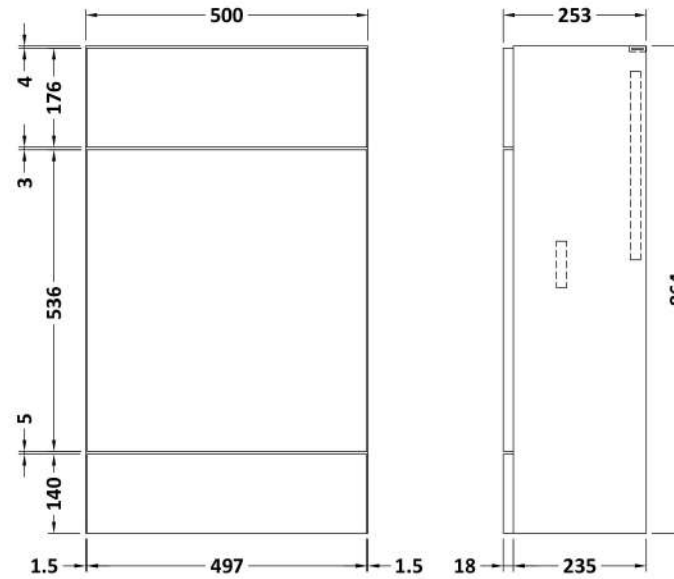
|                    |               |
|--------------------|---------------|
| Height (mm):       |               |
| Width (mm):        |               |
| Depth (mm):        |               |
| Gross Weight (kg): |               |
| Barcode:           | 5056678436783 |

### Product Details

|                          |                              |
|--------------------------|------------------------------|
| Country of Origin:       | United Kingdom               |
| Fitting Instruction:     | No                           |
| CE & UKCA:               | N/A                          |
| FSC Certified Materials: | Yes                          |
| Colour:                  | Bleached Cuneo Oak           |
| Construction Method:     | Cam & Wood Dowel             |
| Construction Type:       | Rigid                        |
| Cabinet Finish:          | MFC Textured Woodgrain       |
| Fascia Finish:           | MFC Textured Woodgrain       |
| Cabinet Thickness (mm):  | 18                           |
| Fascia Thickness (mm):   | 18                           |
| Drawer Included:         | No                           |
| Drawer Type:             | Not Applicable               |
| No of Shelves:           | 1                            |
| Hinge Type:              | 95 Degree Clip-On Soft Close |
| Hinge Included:          | Yes                          |
| Adjustable Legs:         | No                           |
| Fixings Included:        | Yes                          |
| Handle Style:            | Contemporary                 |
| Waste Shroud:            | No                           |
| Handle Included:         | Yes                          |
| Handle Type:             | Wrapover                     |

Sales Code: OFF3045

Description: 500 W.C. Unit Compact



### Product Dimensions

|                   |      |
|-------------------|------|
| Height (mm):      | 864  |
| Width (mm):       | 500  |
| Depth (mm):       | 255  |
| Nett Weight (kg): | 11.5 |

### Packaging Dimensions

|                    |     |
|--------------------|-----|
| Height (mm):       | 290 |
| Width (mm):        | 525 |
| Depth (mm):        | 900 |
| Gross Weight (kg): | 12  |

### Packaging Data

|               |                     |
|---------------|---------------------|
| Box Colour:   | Brown Cardboard Box |
| Box Qty:      | 1                   |
| Label Size:   | 100 x 50            |
| Label Colour: | White Label         |
| Label Qty:    | 2                   |

### Outer Box Dimensions (If Applicable)

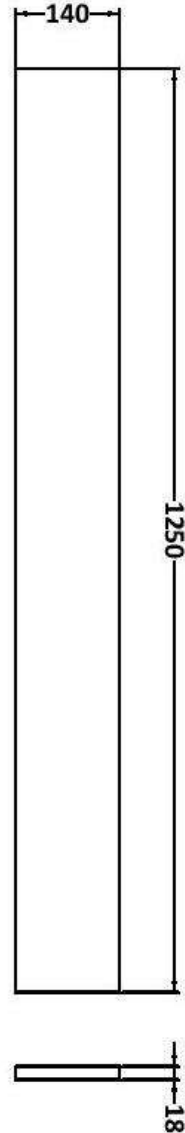
|                    |               |
|--------------------|---------------|
| Height (mm):       |               |
| Width (mm):        |               |
| Depth (mm):        |               |
| Gross Weight (kg): |               |
| Barcode:           | 5056678436998 |

### Product Details

|                          |                        |
|--------------------------|------------------------|
| Country of Origin:       | United Kingdom         |
| Fitting Instruction:     | No                     |
| CE & UKCA:               | N/A                    |
| FSC Certified Materials: | Yes                    |
| Colour:                  | Bleached Cuneo Oak     |
| Construction Method:     | Cam & Wood Dowel       |
| Construction Type:       | Rigid                  |
| Cabinet Finish:          | MFC Textured Woodgrain |
| Fascia Finish:           | MFC Textured Woodgrain |
| Cabinet Thickness (mm):  | 18                     |
| Fascia Thickness (mm):   | 18                     |
| Drawer Included:         | No                     |
| Drawer Type:             | Not Applicable         |
| No of Shelves:           | 0                      |
| Hinge Type:              | Not Applicable         |
| Hinge Included:          | No                     |
| Adjustable Legs:         | No                     |
| Fixings Included:        | Yes                    |
| Handle Style:            | Not Applicable         |
| Waste Shroud:            | No                     |
| Handle Included:         | No                     |
| Handle Type:             | Not Applicable         |

Sales Code: OFF3091

Description: 1.25M Continuous Plinth



**Product Dimensions**

|                   |      |
|-------------------|------|
| Height (mm):      | 1250 |
| Width (mm):       | 145  |
| Depth (mm):       | 18   |
| Nett Weight (kg): | 2    |

**Packaging Dimensions**

|                    |      |
|--------------------|------|
| Height (mm):       | 20   |
| Width (mm):        | 150  |
| Depth (mm):        | 1260 |
| Gross Weight (kg): | 2    |

**Packaging Data**

|               |                     |
|---------------|---------------------|
| Box Colour:   | Brown Cardboard Box |
| Box Qty:      | 1                   |
| Label Size:   | 100 x 50            |
| Label Colour: | White Label         |
| Label Qty:    | 2                   |

**Outer Box Dimensions (If Applicable)**

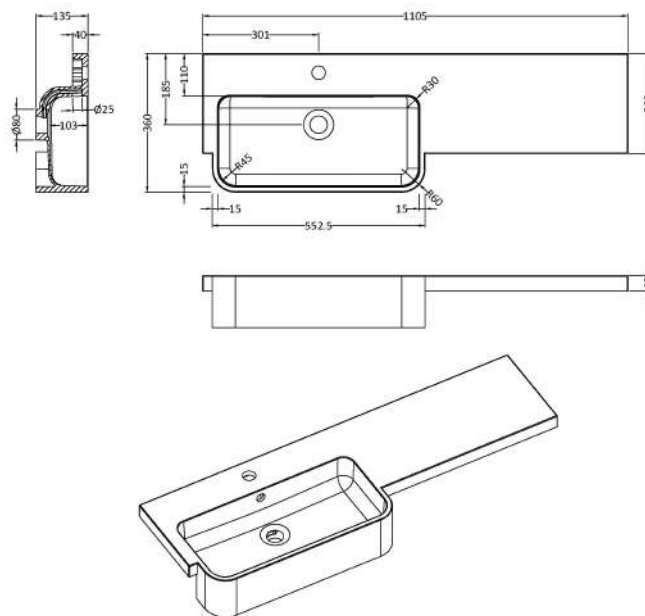
|                    |               |
|--------------------|---------------|
| Height (mm):       |               |
| Width (mm):        |               |
| Depth (mm):        |               |
| Gross Weight (kg): |               |
| Barcode:           | 5056678437124 |

**Product Details**

|                          |                        |
|--------------------------|------------------------|
| Country of Origin:       | United Kingdom         |
| Fitting Instruction:     | No                     |
| CE & UKCA:               | N/A                    |
| FSC Certified Materials: | Yes                    |
| Colour:                  | Bleached Cuneo Oak     |
| Construction Method:     | Not Applicable         |
| Construction Type:       | Flat-Pack              |
| Cabinet Finish:          | MFC Textured Woodgrain |
| Fascia Finish:           | MFC Textured Woodgrain |
| Cabinet Thickness (mm):  | 18                     |
| Fascia Thickness (mm):   | 18                     |
| Drawer Included:         | Not Applicable         |
| Drawer Type:             | Not Applicable         |
| No of Shelves:           | Not Applicable         |
| Hinge Type:              | Not Applicable         |
| Hinge Included:          | Not Applicable         |
| Adjustable Legs:         | No                     |
| Fixings Included:        | No                     |
| Handle Style:            | Not Applicable         |
| Waste Shroud:            | Not Applicable         |
| Handle Included:         | No                     |
| Handle Type:             | Not Applicable         |

Sales Code: PMB513L

Description: 1100 Round S/Recess Polymarble Basin Lh



### Product Dimensions

|                   |      |
|-------------------|------|
| Height (mm):      | 135  |
| Width (mm):       | 1103 |
| Depth (mm):       | 355  |
| Nett Weight (kg): | 16   |

### Packaging Dimensions

|                    |      |
|--------------------|------|
| Height (mm):       | 190  |
| Width (mm):        | 420  |
| Depth (mm):        | 1160 |
| Gross Weight (kg): | 16   |

### Packaging Data

|               |                               |
|---------------|-------------------------------|
| Box Colour:   | Brown Cardboard Box - Printed |
| Box Qty:      | 1                             |
| Label Size:   | 100 x 50                      |
| Label Colour: | White Label                   |
| Label Qty:    | 2                             |

### Outer Box Dimensions (If Applicable)

|                    |               |
|--------------------|---------------|
| Height (mm):       |               |
| Width (mm):        |               |
| Depth (mm):        |               |
| Gross Weight (kg): |               |
| Barcode:           | 5056211878964 |

### Product Details

|                           |                           |
|---------------------------|---------------------------|
| Country of Origin:        | China                     |
| Fitting Instruction:      | No                        |
| Certification: CE & UKCA: | No WRAS: N/A WRAS No: N/A |
| Product Material:         | Polymarble                |
| Fixing Supplied:          | No                        |

**Pans/Bidets:** Trap Style: Not Applicable Includes Seat: Not Applicable

**Seats:** Seat Type: Not Applicable Material: Not Applicable  
Function: Not Applicable Hinge Type: Not Applicable  
Hinge Material: Not Applicable

**Cisterns:** Operating Type: Not Applicable Fittings: Not Applicable  
Lever Type: Not Applicable

**Basins:** Tap Hole: One Taphole Chain Stay Hole: No  
Template: Not Required Waste Type Req: Slotted  
Overflow Inc: Yes Overflow Cover: Yes  
Inner Bowl Depth (mm): 103mm